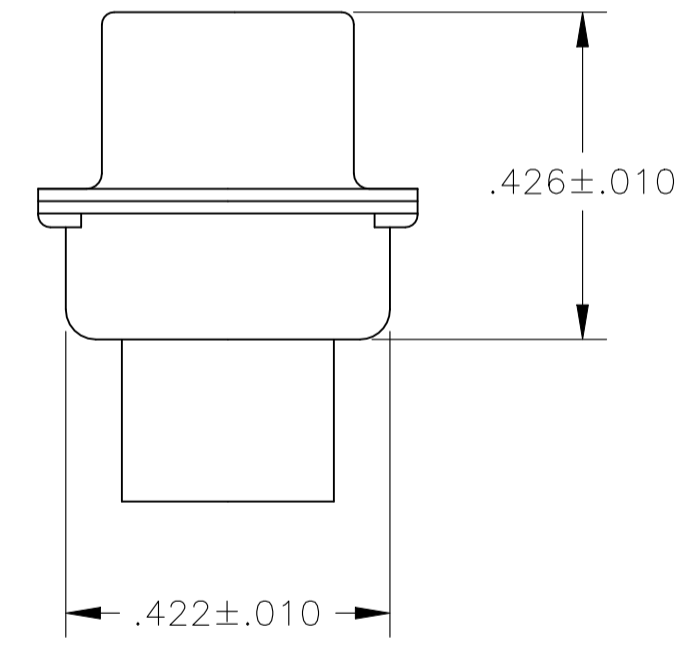
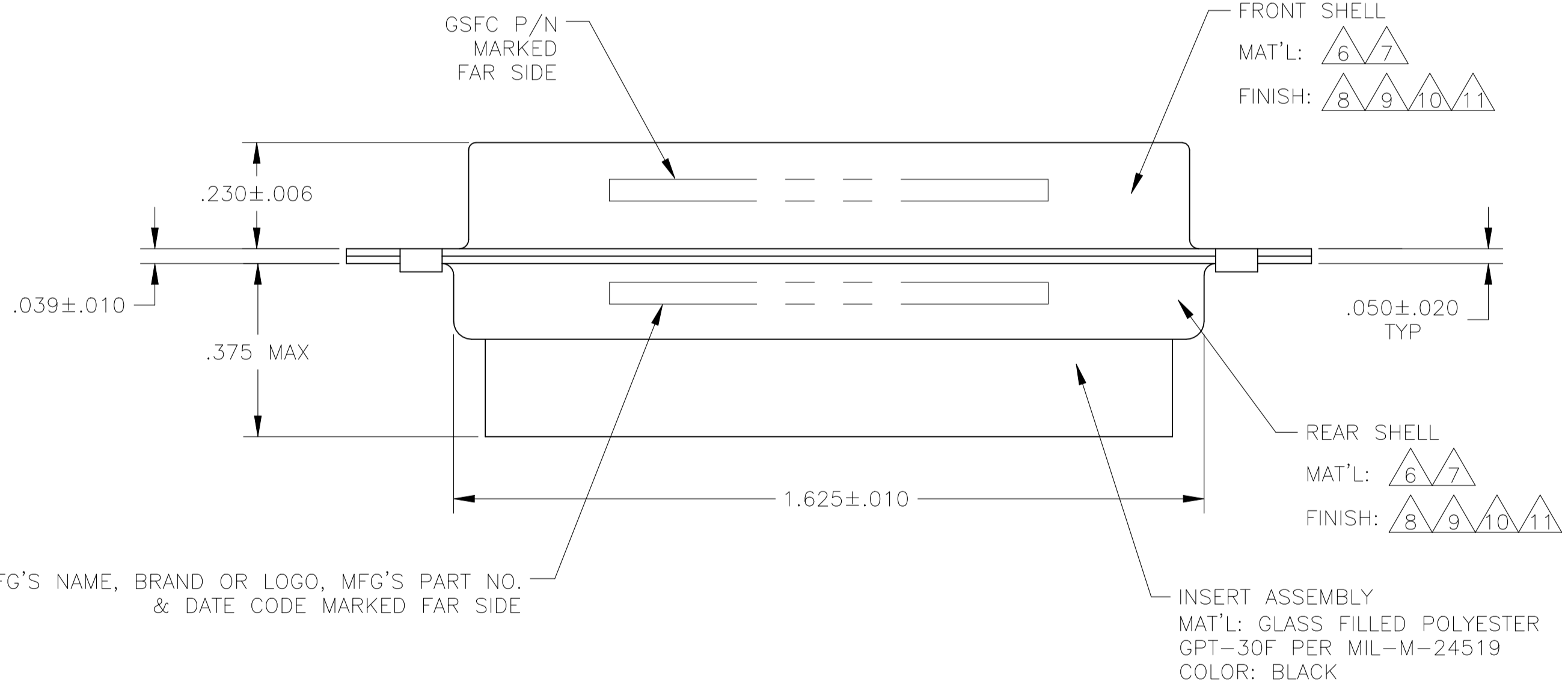
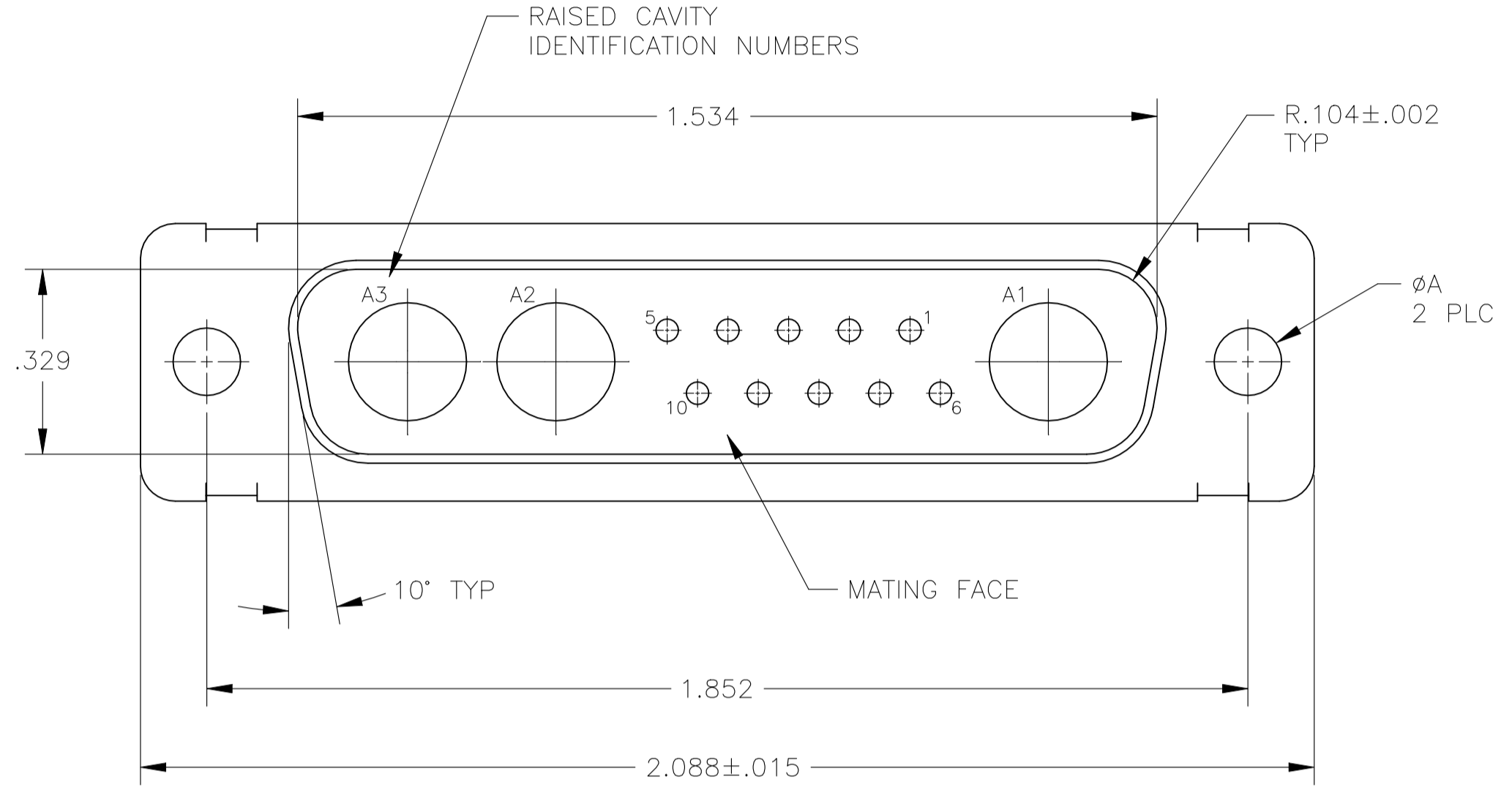


REVISIONS				
P	LTR	DESCRIPTION	DATE	APP'D
T		REVISED PER ECN-24-272179	24JUN2024	PE DS

- THIS PLUG WILL MATE WITH ANY 13C3, SIZE 3 RECEPTACLE IN AMPLIMITE SERIES.
 - MAXIMUM WIRE INSULATION TO BE USED WITH THIS PLUG IS $\phi.068$.
 - THIS CONNECTOR ACCEPTS (3) POWER 8, OR COAX PIN CONTACTS IN POSITIONS A1 THRU A3, PURCHASED SEPARATELY.
 - THIS CONNECTOR ACCEPTS SIZE 20 PIN SIGNAL CONTACTS IN POSITIONS 1 THRU 10, PURCHASED SEPARATELY.
- 5 GROUNDING INDENTS FOR 208810-2 & 5-208810-2 ONLY (NOT SHOWN ON DRAWING).
 - 6 STEEL PER ASTM-A-109.
 - 7 BRASS PER MIL-C-50 AND ASTM-B-36 UNS NO. C26000.
 - 8 FINISH: TIN PER ASTM-B-545 .000400 MIN THK OVER COPPER PER AMS2418 .000050 MIN THK.
 - 9 CADMIUM PLATED PER QQ-P-416.
 - 10 FINISH: GOLD PLATED PER MIL-G-45204 TYPE II, GRADE C, CLASS 1 OVER COPPER PER MIL-C-14550, CLASS IV.
 - 11 FINISH: ZINC PLATE PER ASTM-B-633, .000200-.000400 THK WITH SUPPLEMENTARY CHROMATE (Cr3+)



WARNING - THIS DOCUMENT CONTAINS TECHNOLOGY WHOSE EXPORT IS RESTRICTED BY THE EXPORT ADMINISTRATION REGULATIONS ("EAR") PURSUANT TO 15 C.F.R. PARTS 730-774. VIOLATIONS OF THE EAR ARE SUBJECT TO SEVERE CRIMINAL PENALTIES UNDER THE EXPORT CONTROL REFORM ACT, AS AMENDED (TITLE 50, U.S.C., SEC. 4801, ET SEQ.).

REMARKS	ØA	GSFC P/N	MFG'S PART NO.
5-208810-1 OBSOLETED	5, 6, 8	.120	-
208810-4 OBSOLETED	6, 11	.120	-
208810-3 OBSOLETED	7, 10	.154	311P405-12P-B-15
208810-2	7, 10	.120	311P405-12P-B-12
208810-1 OBSOLETED	5, 6, 8	.120	-
208810-1 OBSOLETED	6, 9	.120	-

THIS DRAWING IS A CONTROLLED DOCUMENT.		DIN C.C.THOMAS 04FEB88	TE Connectivity	
DIMENSIONS: INCHES		09FEB88		
TOLERANCES UNLESS OTHERWISE SPECIFIED:		APVD A.EMADI 09FEB88	NAME: PLUG ASSEMBLY	
0 PLC ± -		PRODUCT SPEC	AMPLIMITE 13C3	
1 PLC ± -		APPLICATION SPEC	SIZE 3, SERIES 109, COAX MIX	
2 PLC ± -			SIZE	CAGE CODE
3 PLC ± .005(0.13)			A1	00779
4 PLC ± -			SCALE	4:1
ANGLES ± 0°30'			SHEET	1 of 1
MATERIAL	FINISH	WEIGHT	CUSTOMER DRAWING	REV T