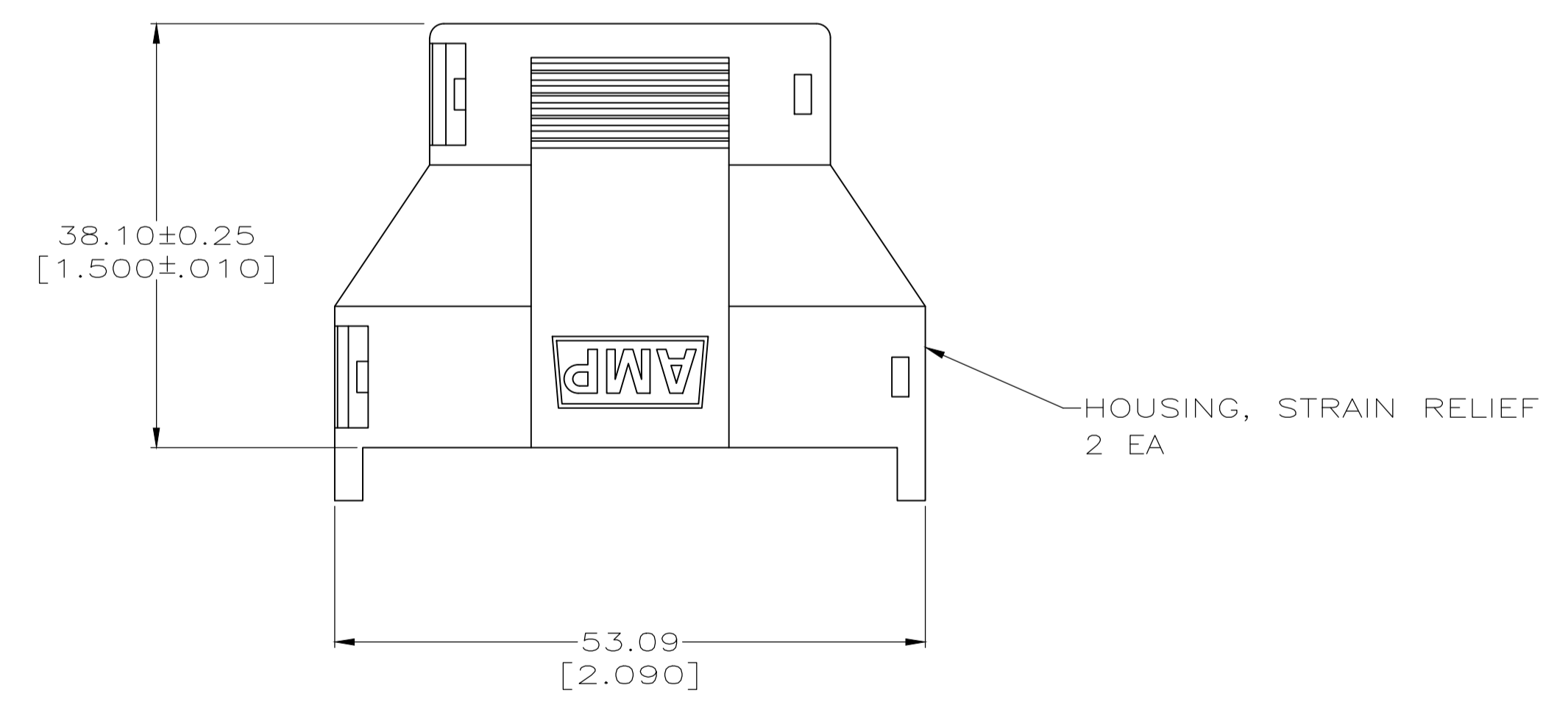
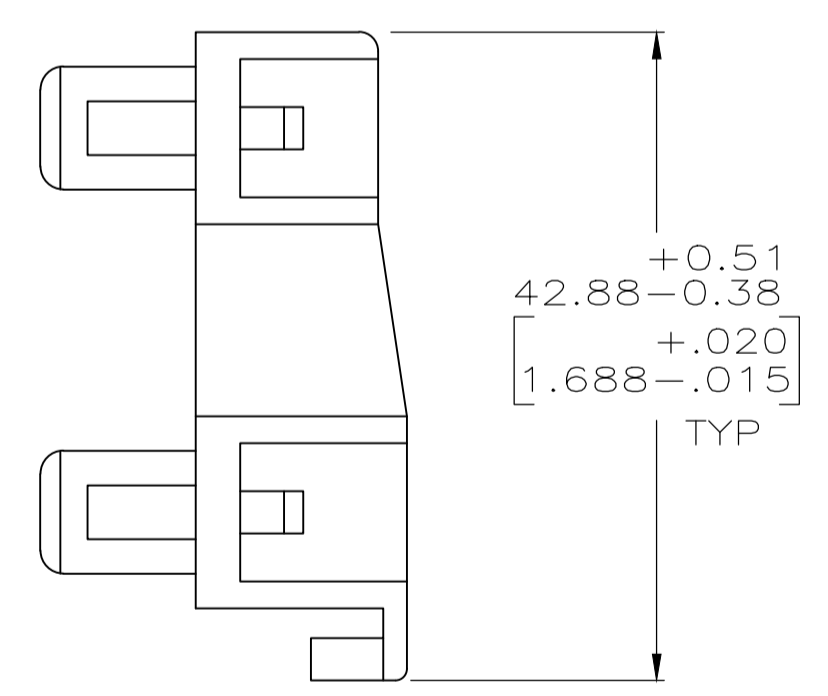
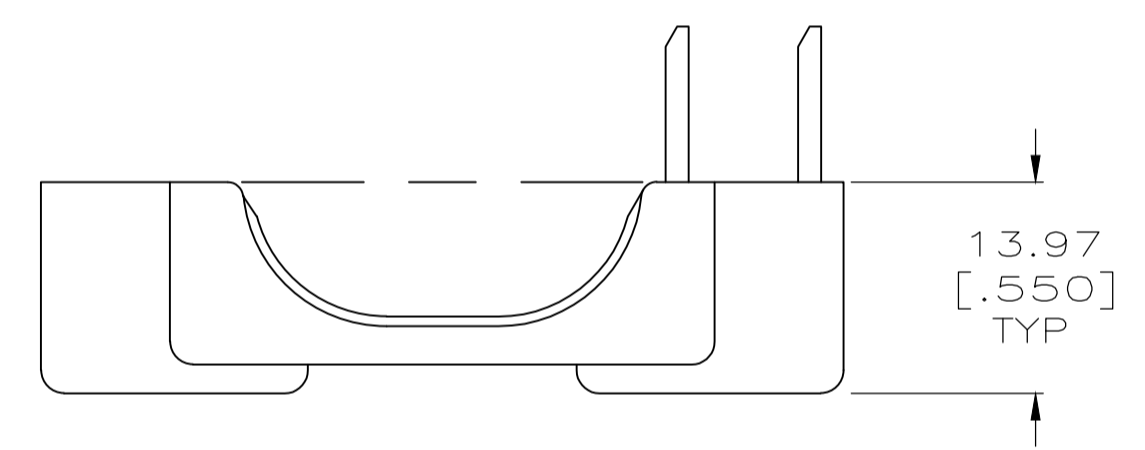
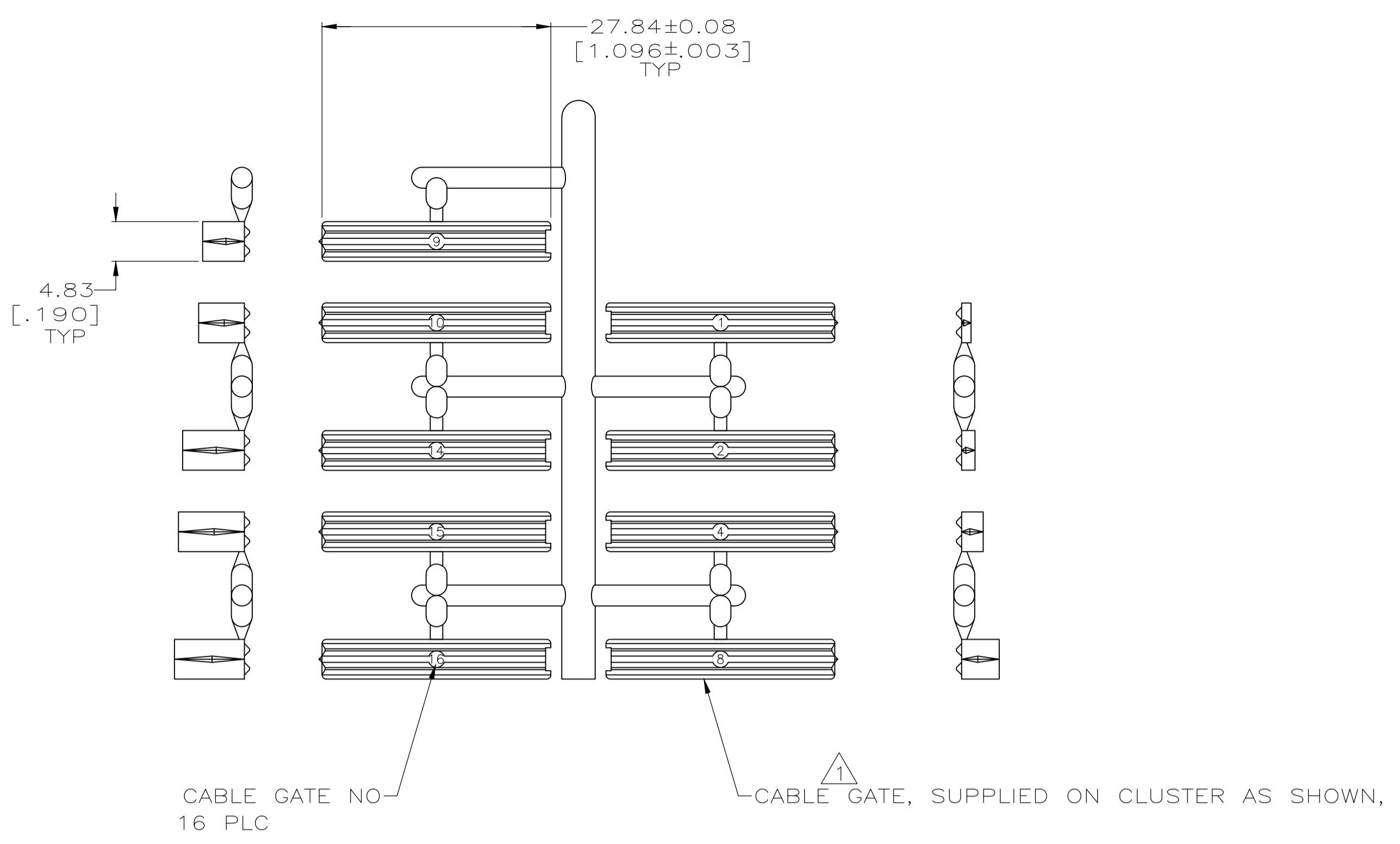
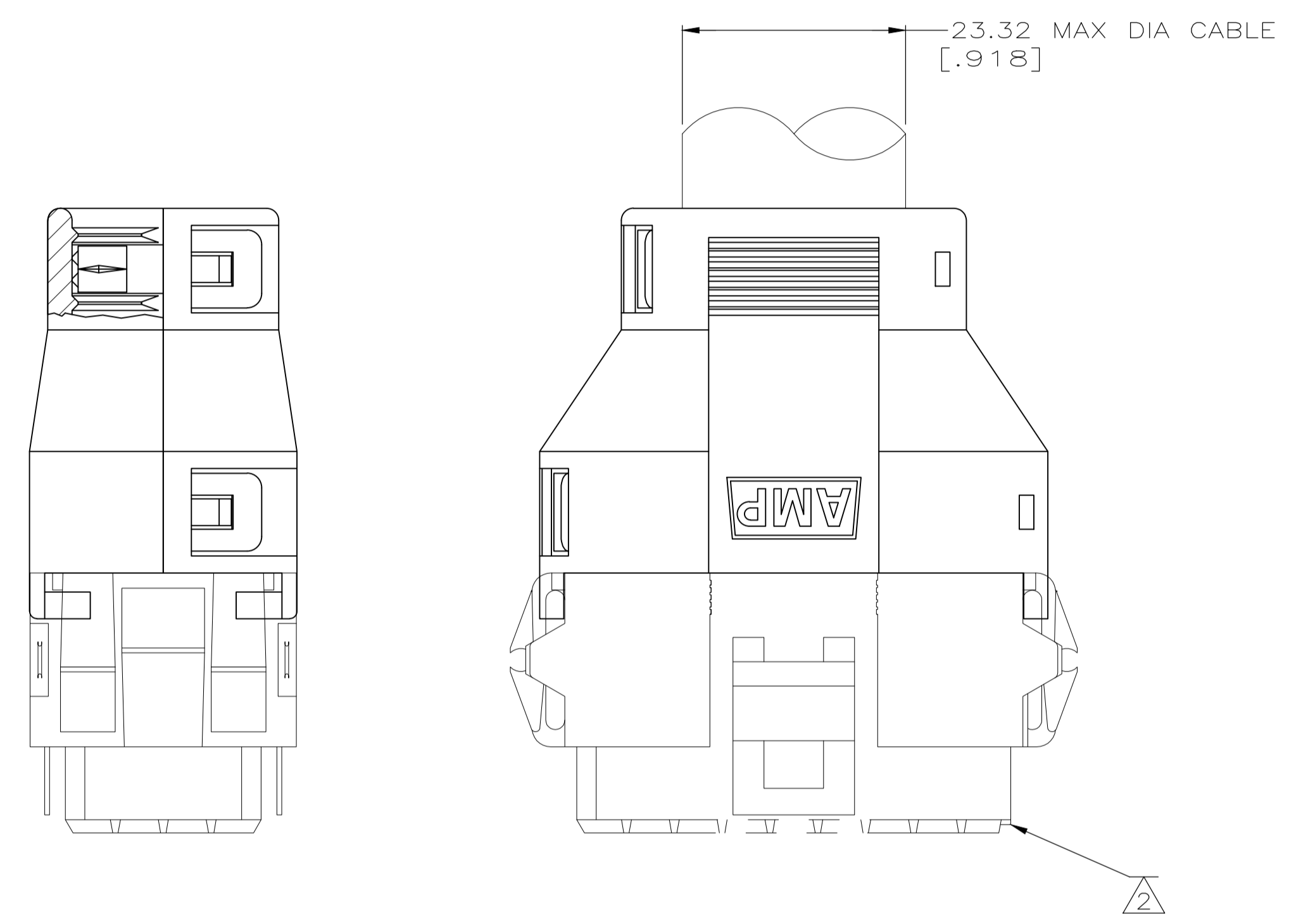
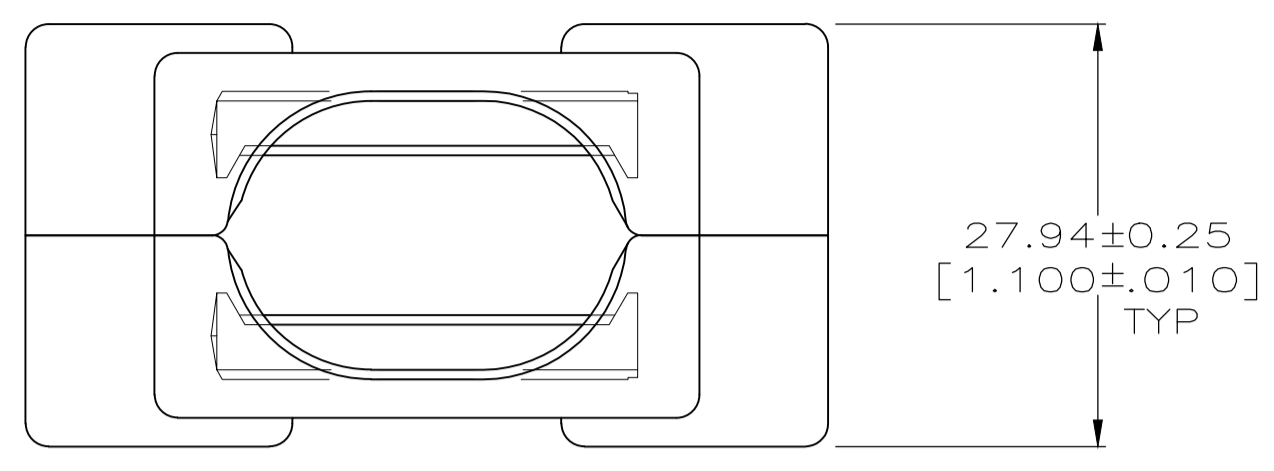


REVISIONS					
P	LTR	DESCRIPTION	DATE	DNW	APVD
E		REVISED PER ECO-20-002047	24FEB2020	RK	MZ



- ⚠ A VARIETY OF CABLE GATES ARE PROVIDED TO ACCOMMODATE A VARIETY OF CUSTOMER CABLE SIZES.
- ⚠ PLUG SHOWN FOR REFERENCE ONLY. STRAIN RELIEF CAN BE USED ON EITHER PLUG OR RECEPTACLE.
- ⚠ HOUSING MATERIAL: PA66, BLACK, UL 94 V-0 RATED

207604-1
PART NUMBER

THIS DRAWING IS A CONTROLLED DOCUMENT.		DIN J McCLINTON 1-27-92	TE Connectivity	
DIMENSIONS: INCHES		CHK R STONE 1-29-92		
TOLERANCES UNLESS OTHERWISE SPECIFIED:		APVD	NAME	
0. PLC ± -	1. PLC ± -	PRODUCT SPEC		STRAIN RELIEF KIT, UNASSEMBLED, 36 POSITION, METRIMATE 108-10033
2. PLC ± 0.13[.005]	3. PLC ± -	APPLICATION SPEC		
4. PLC ± -	ANGLES ± -	SIZE	CAGE CODE	DRAWING NO.
MATERIAL	FINISH	WEIGHT	A1 00779	207604
		CUSTOMER DRAWING	SCALE 2:1	SHEET 1 OF 1