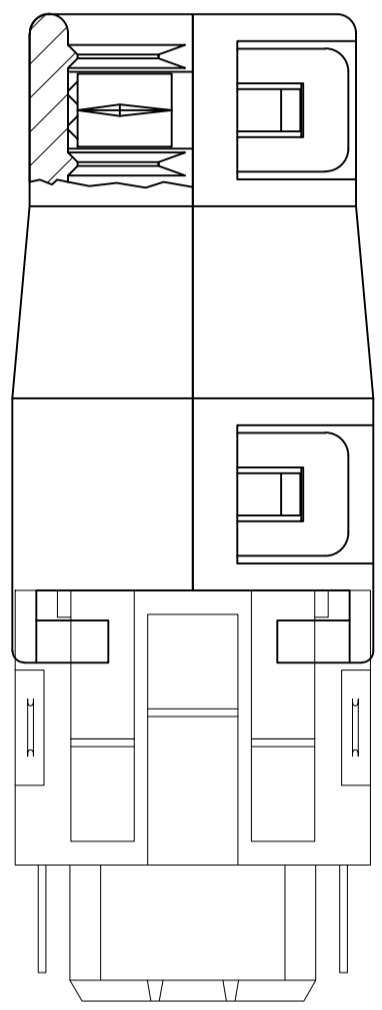
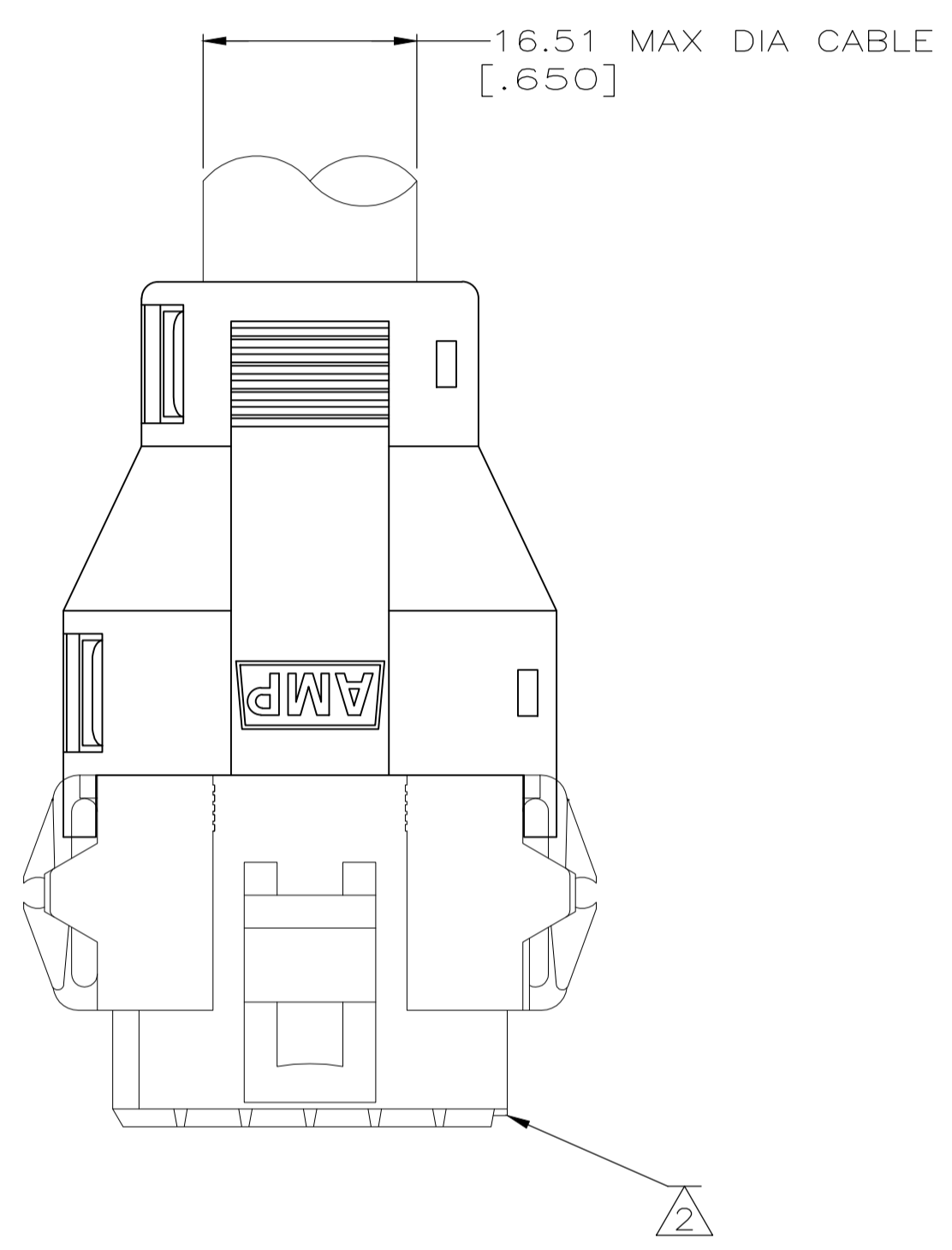
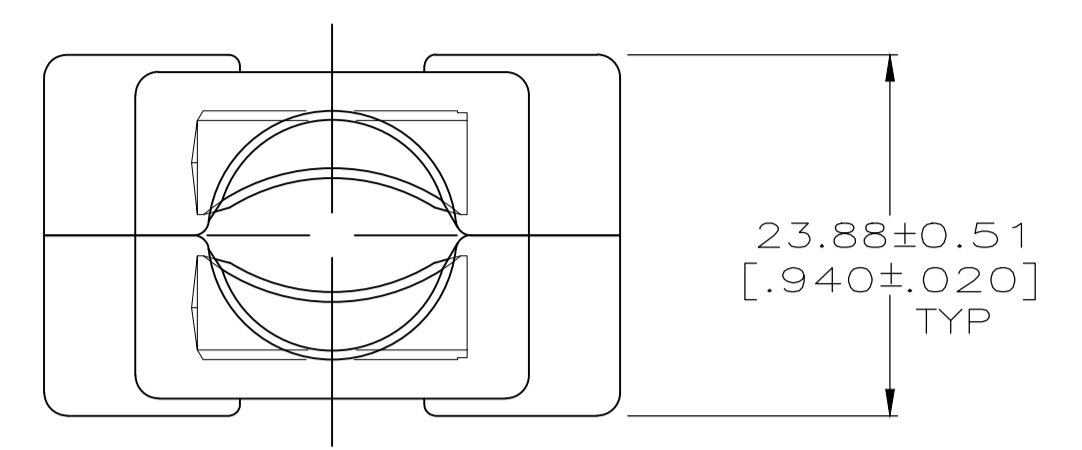
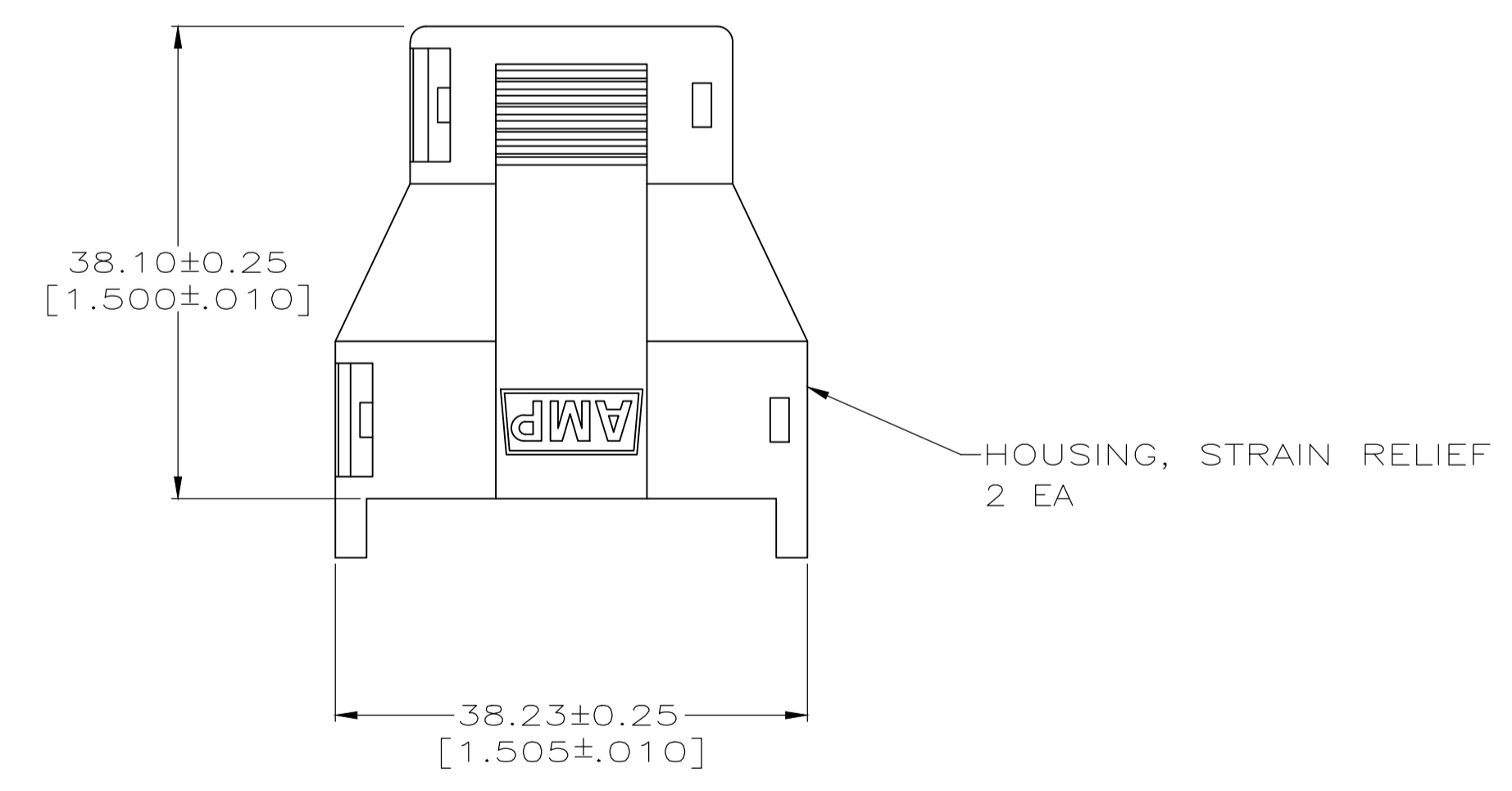
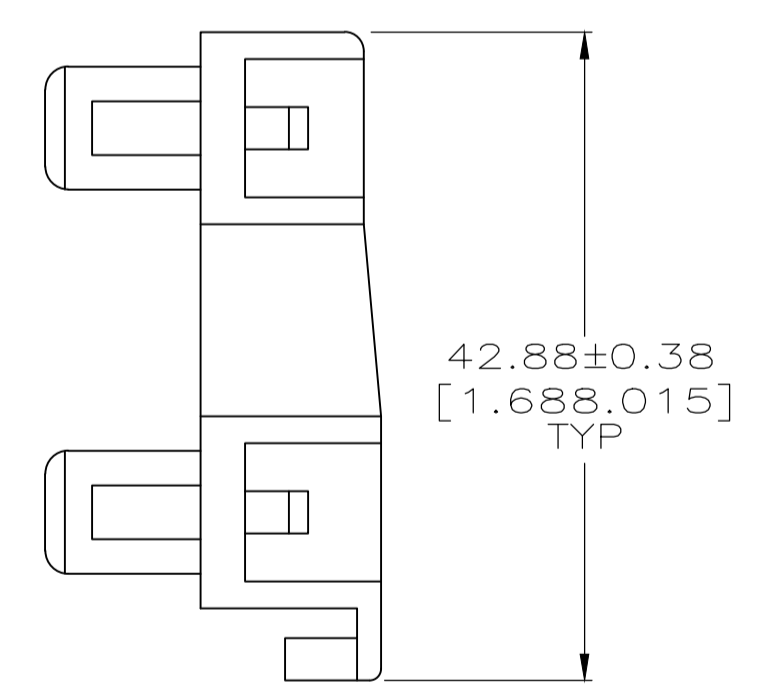
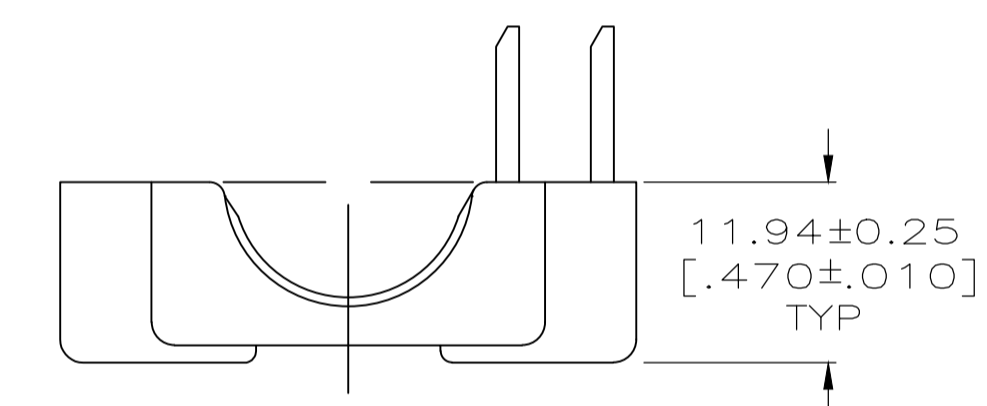
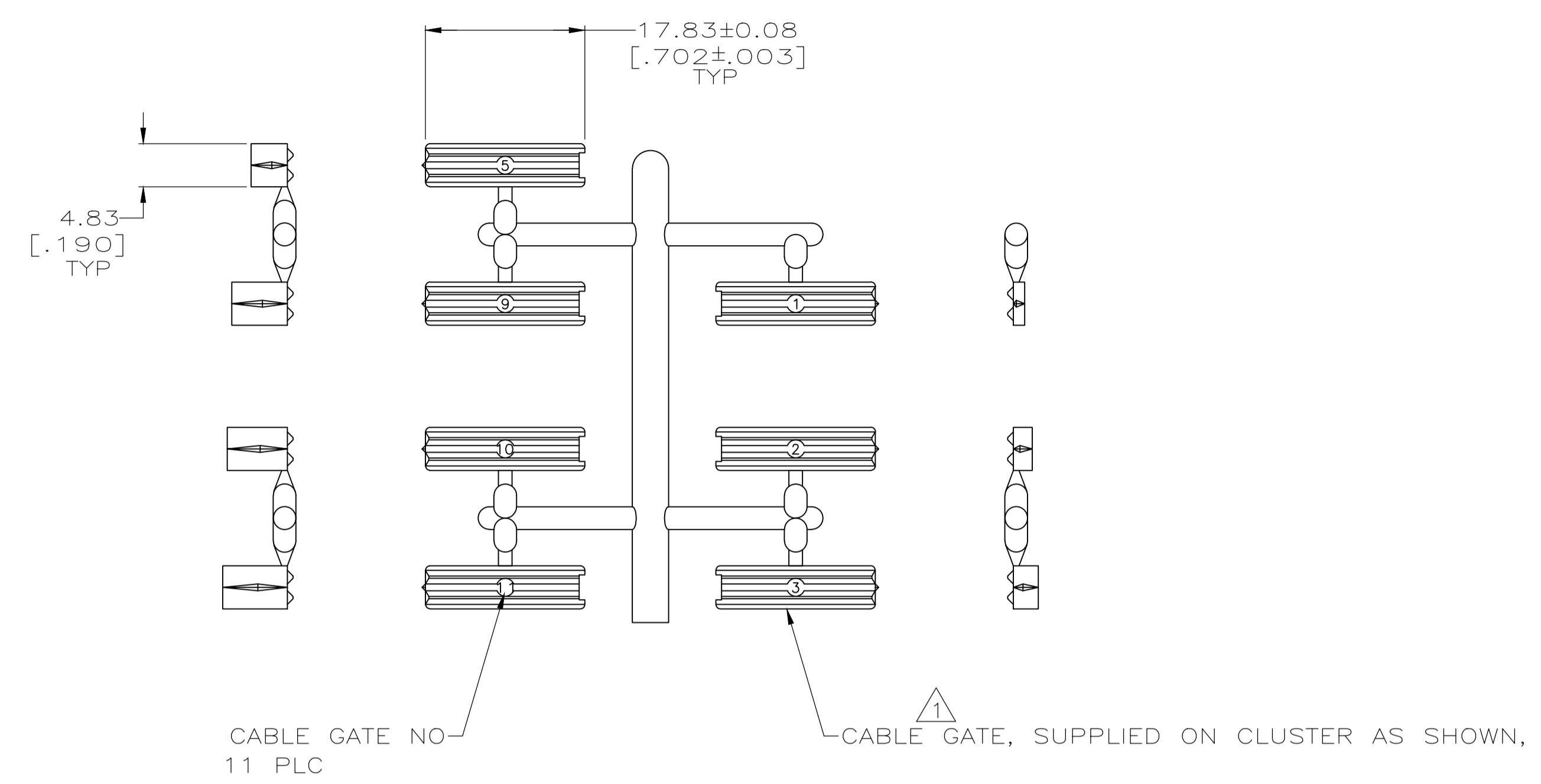


REVISIONS				
P	LTR	DESCRIPTION	DATE	APPV
E		REVISED PER ECO-20-002047	24FEB2020	RK MZ



ASSEMBLED VIEW



- ▲ A VARIETY OF CABLE GATES ARE PROVIDED TO ACCOMMODATE A VARIETY OF CUSTOMER CABLE SIZES.
- ▲ PLUG SHOWN FOR REFERENCE ONLY, STRAIN RELIEF CAN BE USED ON EITHER PLUG OR RECEPTACLE.
- ▲ HOUSING MATERIAL: PA66, BLACK, UL 94 V-0 RATED

207603-1
PART NUMBER

THIS DRAWING IS A CONTROLLED DOCUMENT.		DIN J. McCLINTON 1-25-92	TE Connectivity	
DIMENSIONS: INCHES		CHK R. STONE 1-29-92	APVD	
TOLERANCES UNLESS OTHERWISE SPECIFIED:		NAME		
0. PLC	± .005	PRODUCT SPEC		
1. PLC	± .005	108-10033		
2. PLC	± 0.13[.005]	APPLICATION SPEC		
3. PLC	± .005	SIZE		
4. PLC	± .005	CAGE CODE		
ANGLES	± .005	DRAWING NO.		
MATERIAL	FINISH	WEIGHT		
▲	-	A1 00779 C=207603		
CUSTOMER DRAWING		SCALE 2:1 SHEET 1 OF 1 REV E		