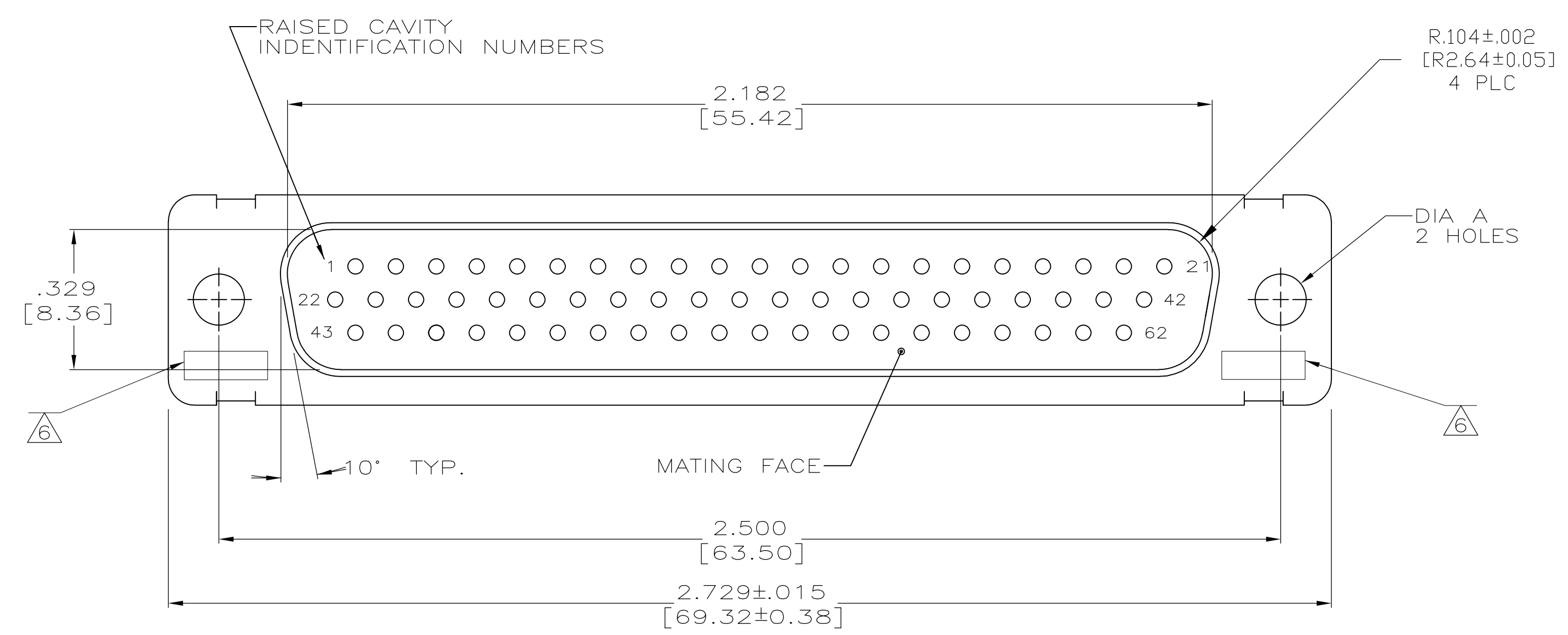
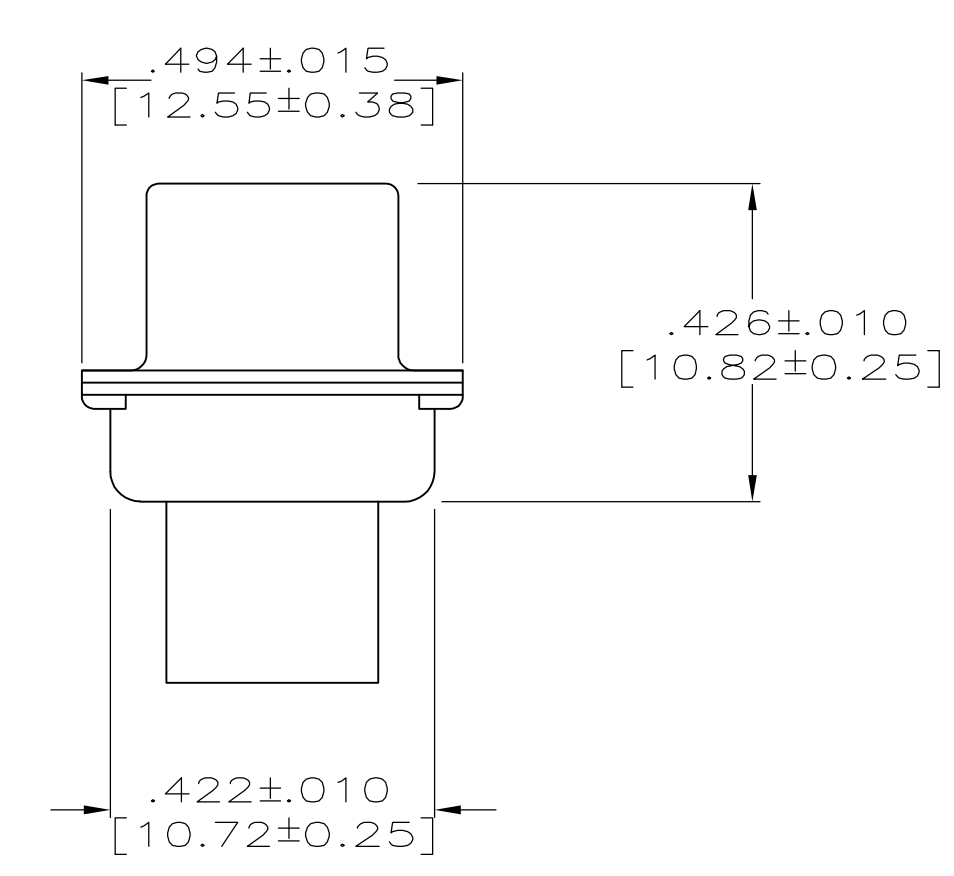
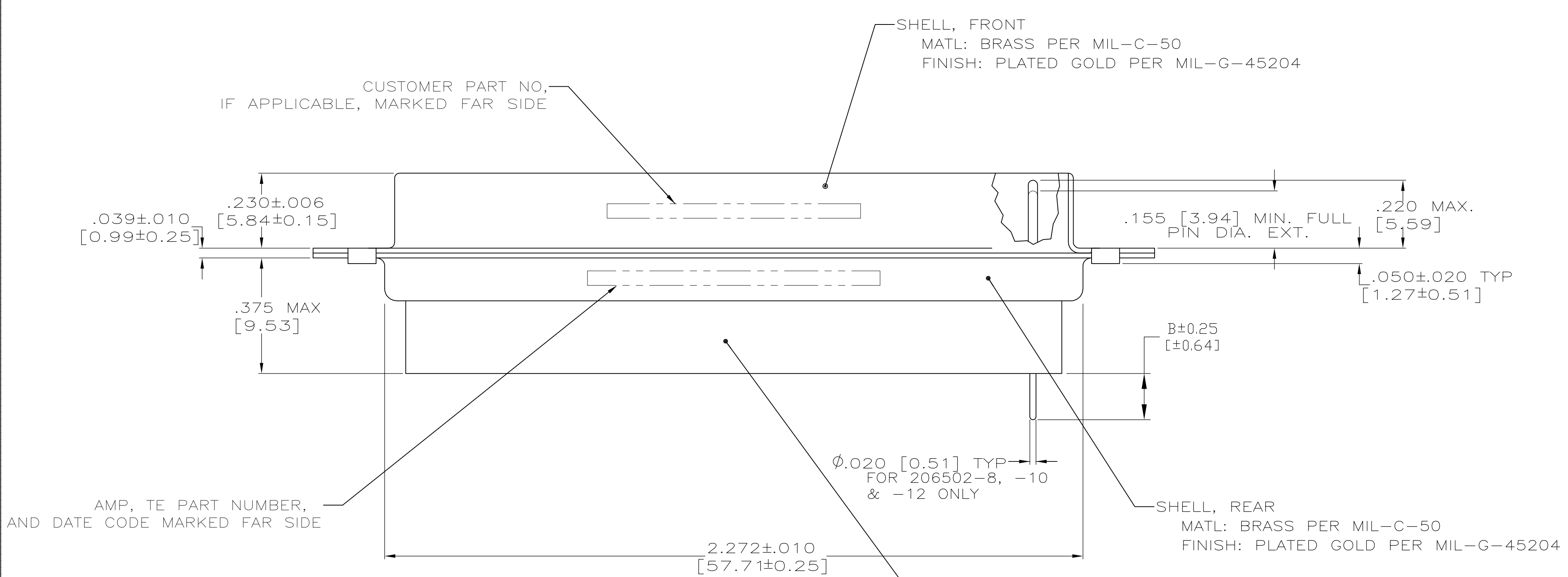


REVISONS		DATE	DWN	APVD
LOC	DIST	DESCRIPTION		
Z		REV PER ECO 15-016064	11-9-15	CT CD



- THIS PLUG WILL MATE WITH ANY RECEPTACLE CONNECTOR WITH THE SAME INSERT ARRANGEMENT AS DEFINED BY MS18276-2.
  - MAXIMUM WIRE INSULATION USED WITH THIS PLUG IS .054 [1.37] DIA.
  - Be-Cu RETENTION CLIPS ARE INCLUDED IN INSERTS.
- △4 INSPECTION REQUIREMENTS PER R4383.
  - △5 CONNECTOR SUPPLIED WITH 69 CONTACTS, AMP PART NUMBER 204370-8. INSPECTION REQUIREMENTS PER R4383 WITHOUT TESTS FOR HIGH ALTITUDE DIELECTRIC WITHSTANDING VOLTAGE AS CALLED FOR IN TABLE II SCREENING AND TESTING.
  - △6 UL/CSA DESIGNATION STAMPED IN THIS AREA, OPTIONAL.
  - △7 CONNECTOR LOADED WITH POSTED CONTACTS. INSPECTION REQUIREMENTS PER GENERAL ELECTRIC DOCUMENT 20025720.
  - △8 RESTRICTED TO CAE ELECTRONICS ONLY.
  - △9 THESE CONNECTORS ARE QUALIFIED TO GODDARD SPACE FLIGHT CENTER SPECIFICATION S-311-P-4.
  - △10 CONNECTOR LOADED WITH POSTED CONTACTS.
  - △11 CONNECTOR LOADED WITH POSTED CONTACTS. INSPECTION REQUIREMENTS PER LM DOCUMENT 20131204.



TE PART NUMBER 204370-8  
GSFC PART NUMBER G-08-P1  
(SUPPLIED WITH 206502-6 ONLY)

REMARKS	DIA B	DIA A	CUSTOMER P/N ON CONNECTOR	TE P/N ON CONNECTOR	TE P/N
△11	.150 [3.81]	.120 [3.05]	20131204P2062P	1-206502-2	1-206502-2
	--	.120 [3.05]	570566-10	1-206502-1	1-206502-1
△10	.175 [4.45]	.120 [3.05]	--	1-206502-0	1-206502-0
△9 △8	--	.120 [3.05]	311P407-4P-B-12	206502-4	206502-9
△7	.150 [3.81]	.120 [3.05]	20025720P2062P	206502-8	206502-8
	--	.154 [3.91]	SC81D139-054	206502-7	206502-7
△5	--	.120 [3.05]	R4383P62P	206502-6	206502-6
△4	--	.120 [3.05]	R4383P62P-2	206502-5	206502-5
△3	--	.120 [3.05]	311P407-4P-B-12	206502-4	206502-4
	--	.154 [3.91]	----	206502-3	206502-3
	--	.120 [3.05]	R9259P62P	206502-2	206502-2
△2	--	.154 [3.91]	311P407-4P-B-15	206502-1	206502-1

THIS DRAWING IS A CONTROLLED DOCUMENT.

DIMENSIONS: INCHES	TOLERANCES UNLESS OTHERWISE SPECIFIED:	0 PLC ± -	1 PLC ± -	2 PLC ± -	3 PLC ± .005 [0.13]	4 PLC ± -	ANGLES ± 0°30'
--------------------	--	-----------	-----------	-----------	---------------------	-----------	----------------

MATERIAL: SEE CALLOUTS FINISH: SEE CALLOUTS

APVD: M. CLOUSER	12-16-88	CHK: T. CANTLIN	12-16-88
APVD: F. BALLOW	12-16-88	NAME: AMPLIMITE NONMAGNETIC PLUG ASSEMBLY, SERIES 90, SHELL SIZE 4, 62 POSITION	RESTRICTED TO: --
SIZE: A1	CAGE CODE: 00779	DRAWING NO: 206502	WEIGHT: --
CUSTOMER DRAWING	SCALE: 4:1	SHEET: 1 OF 1	REV: Z