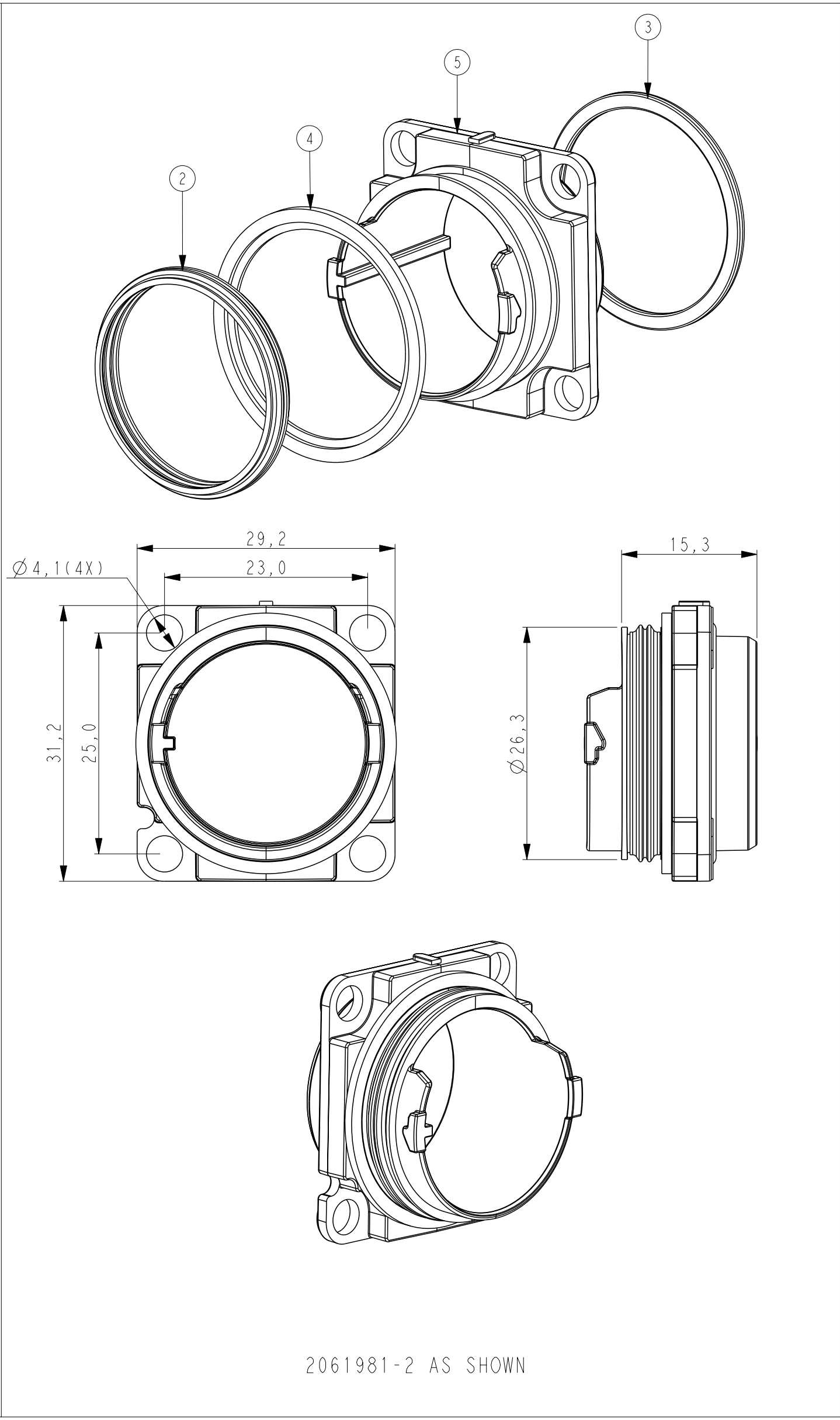
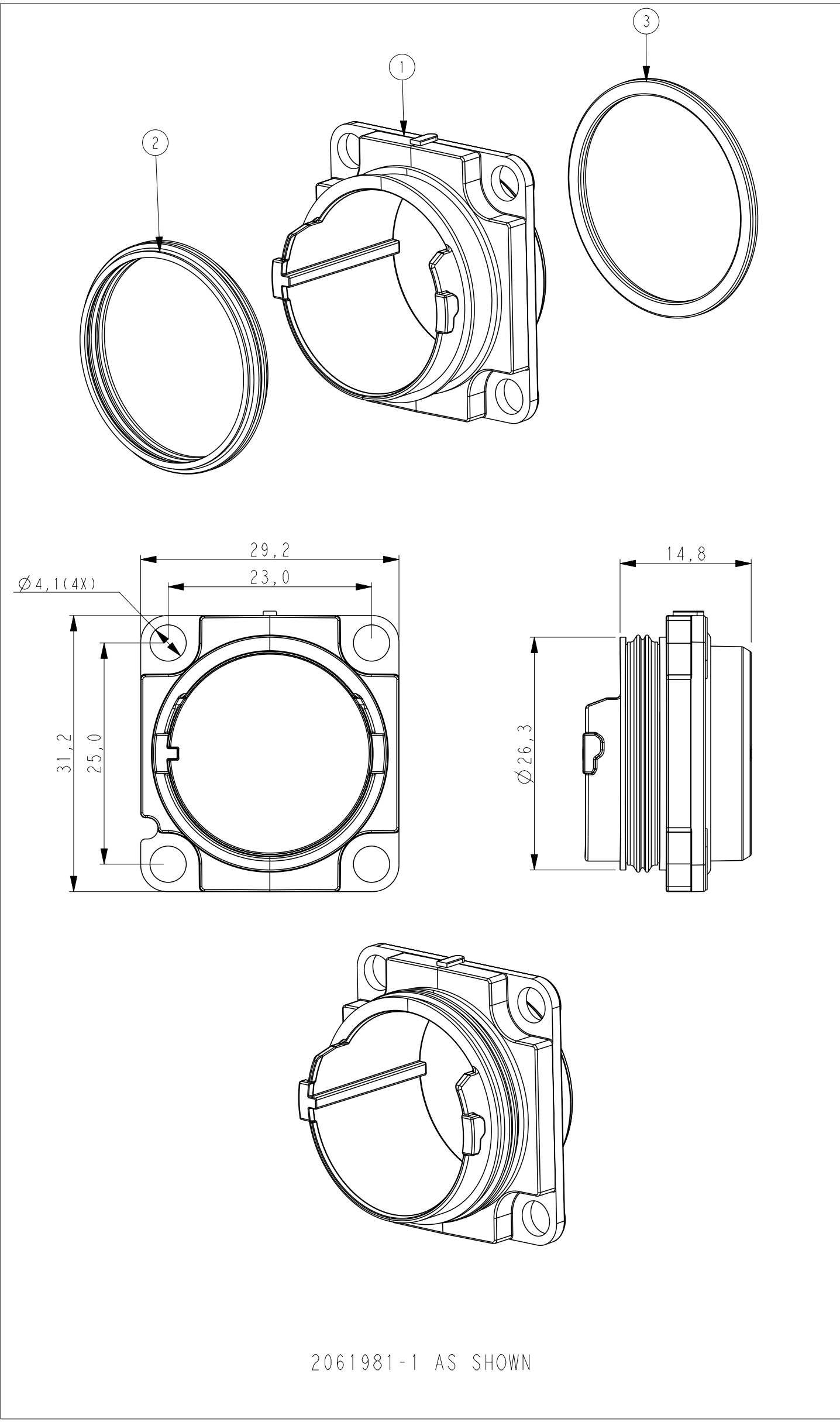
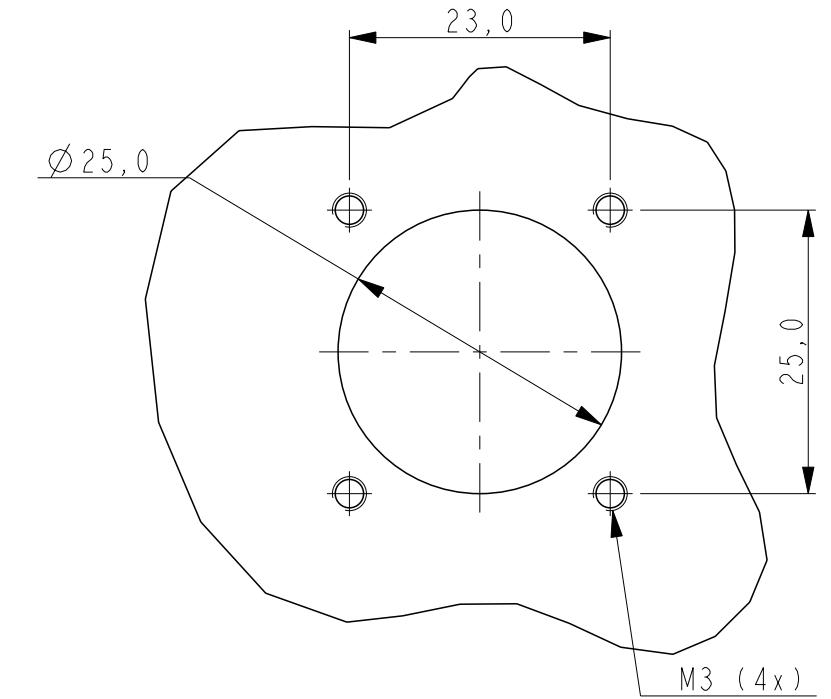


THIS DRAWING IS UNPUBLISHED. RELEASED FOR PUBLICATION 2014
 © COPYRIGHT 2014 BY - ALL RIGHTS RESERVED.

REVISIONS				
P	LTR	DESCRIPTION	DATE	APVD
E		ECR-19-016191	17OCT2019	BW RS



Recommended panel cutout for 2061981-1/-2
 Use correct screws



NOTE:
 ⚠. NO TOOLING FOR JOHNSON RING BULKHEAD 2061981-4

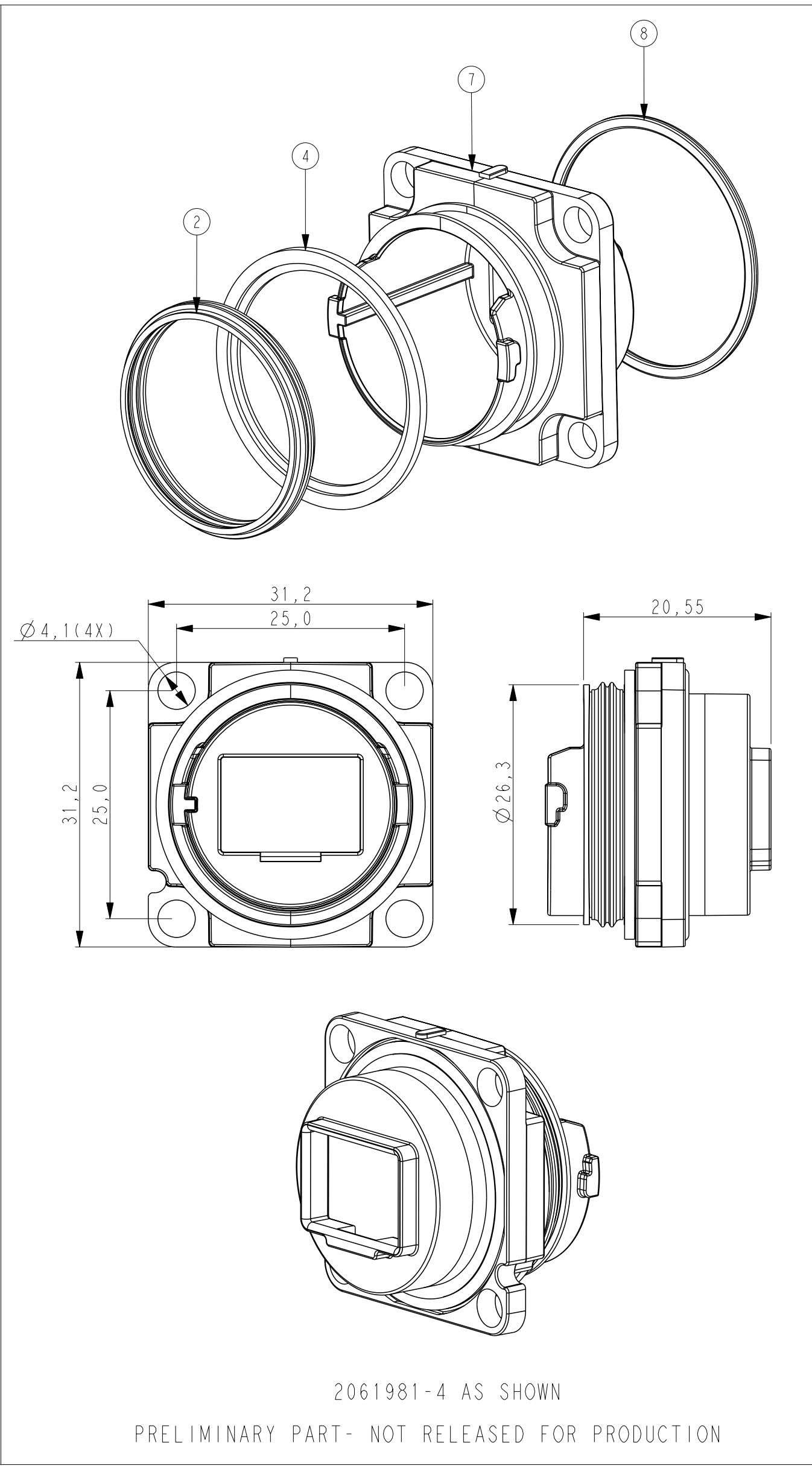
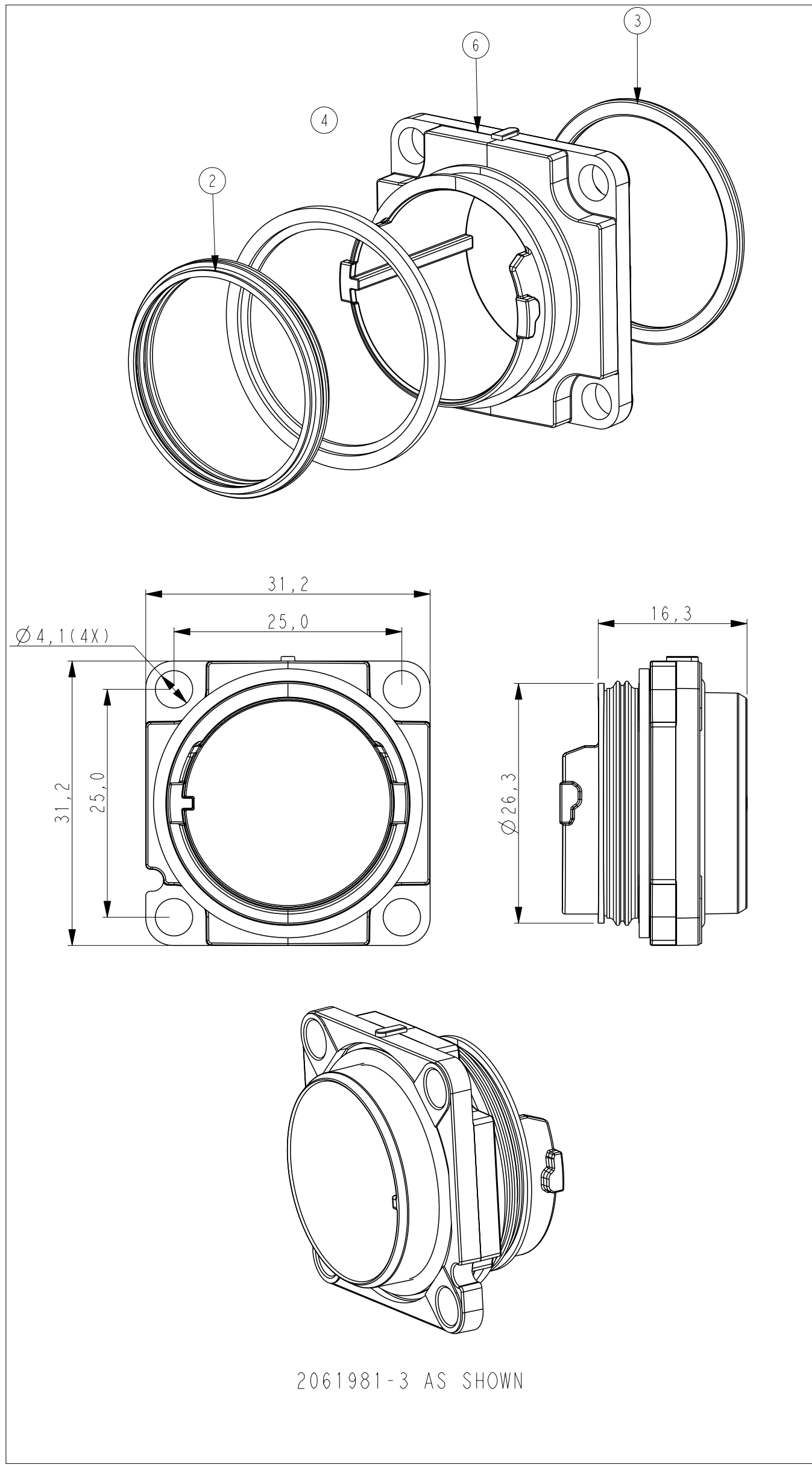
QTY	QTY	QTY	QTY	Description	Item
2061981-4	2061981-3	2061981-2	2061981-1		
1	-	-	-	FOAC FULLAXS MINI D-RING FOR JOHNSON RING	8
1	-	-	-	FOAC FULLAXS MINI BULKHEAD W/JOHNSON RING	7
-	1	-	-	FOAC FULLAXS MINI BULKHEAD, EXTENDED	6
-	-	1	-	FOAC FULLAXS MINI BULKHEAD, PLATED, IMPROVING	5
1	1	1	-	FOAC FULLAXS MINI FRONT SEAL	4
-	1	1	1	FOAC FULLAXS MINI D-RING	3
1	1	1	1	FOAC FULLAXS MINI PERIPHERAL SEAL	2
-	-	-	1	FOAC FULLAXS MINI BULKHEAD, PLATED	1

THIS DRAWING IS A CONTROLLED DOCUMENT. DWN R. COOLEN 24MAR2015
 CHK B. MOOIJ
 APVD S. BORGAS
 PRODUCT SPEC
 APPLICATION SPEC
 WEIGHT
 CUSTOMER DRAWING

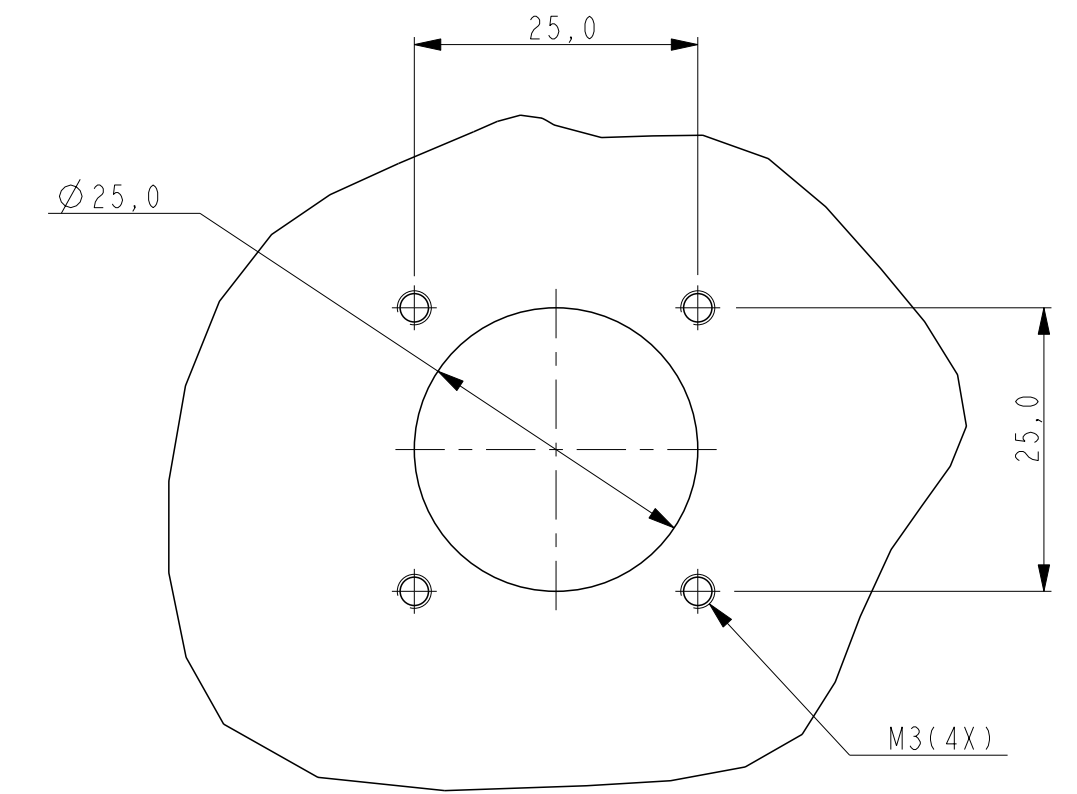
STE TE Connectivity
 NAME FULLAXS MINI BULKHEAD
 SIZE A2 CAGE CODE - DRAWING NO G-2061981 RESTRICTED TO -
 SCALE 1:1 SHEET 1 OF 2 REV E

THIS DRAWING IS UNPUBLISHED. RELEASED FOR PUBLICATION 2014
 © COPYRIGHT 2014 BY - ALL RIGHTS RESERVED.

REVISIONS				
P	LTR	DESCRIPTION	DATE	APVD
-	-	SEE SHEET 1	-	-



Recommended panel cutout for 2061981-3/-4
 Use correct screws



THIS DRAWING IS A CONTROLLED DOCUMENT.		DWN R. COOLEN	24MAR2015	STE TE Connectivity	
DIMENSIONS: mm		CHK B. MOOIJ	APVD S. BORGAS		
TOLERANCES UNLESS OTHERWISE SPECIFIED:		PRODUCT SPEC		SIZE A2	CAGE CODE -
0 PLC ±0,25		APPLICATION SPEC		DRAWING NO C-2061981	RESTRICTED TO -
1 PLC ±0,2		-		SCALE 1:1	SHEET 2 OF 2
2 PLC ±0,1		WEIGHT -		REV E	
3 PLC ±0,025		CUSTOMER DRAWING			
4 PLC ±0,005					
ANGLES ±2°					
FINISH					