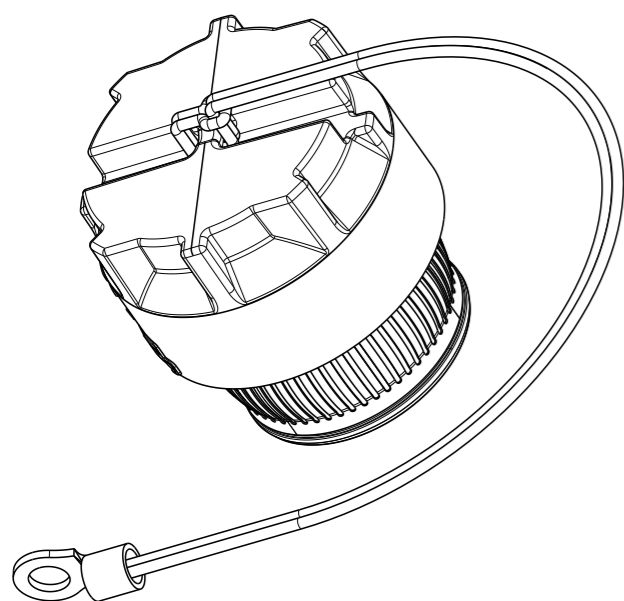


REVISIONS

P	LTR	DESCRIPTION	DATE	DWN	APVD
	C	PER ECR-20-008911	23JUN2020	BW	RS
	C1	ECR-23-174523	08MAY2023	SS	WH

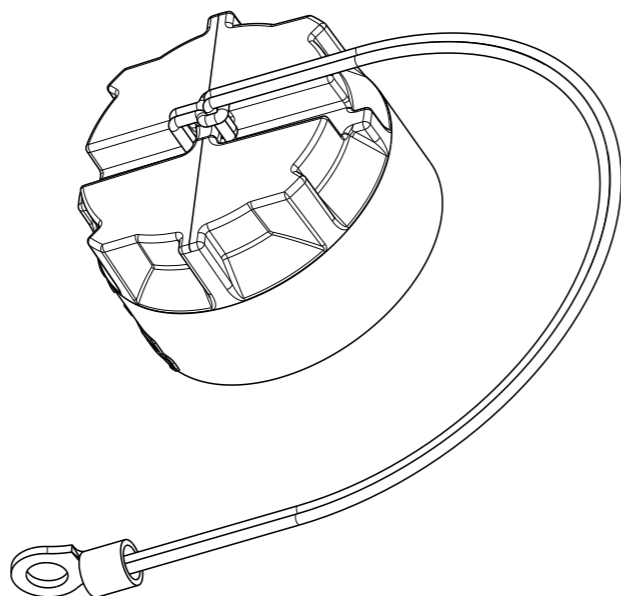
2061953-1 AS SHOWN

ASSEMBLED FULLAXS MINI BULKHEAD CAP WITH EMI SHIELD



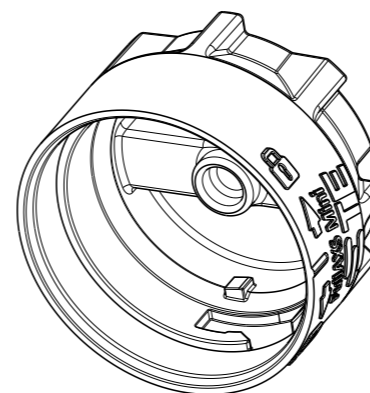
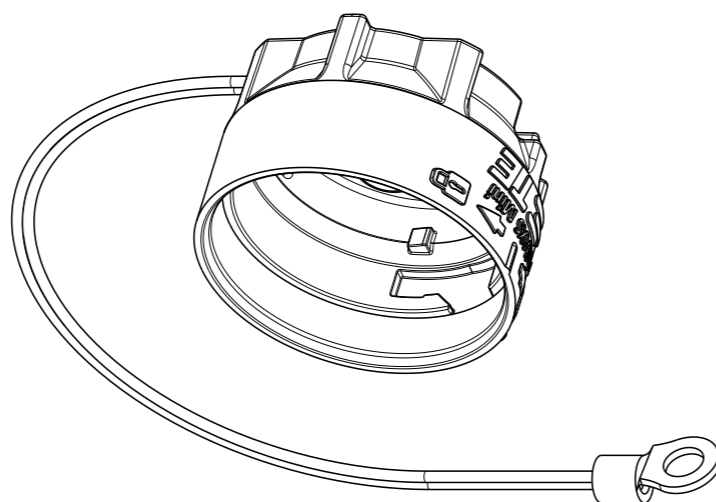
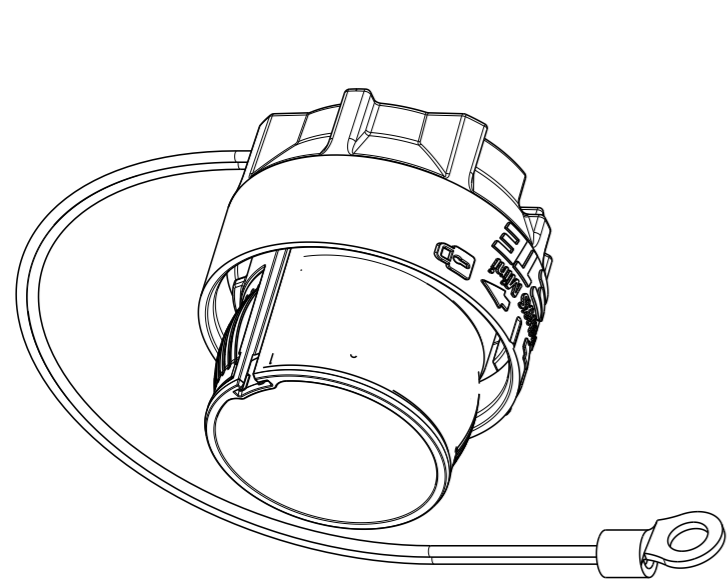
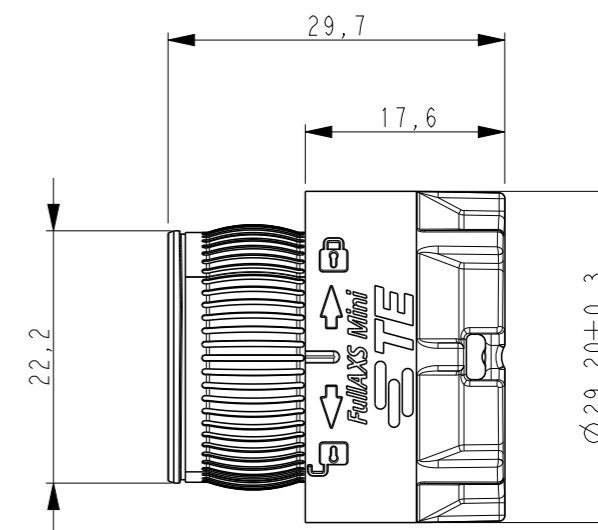
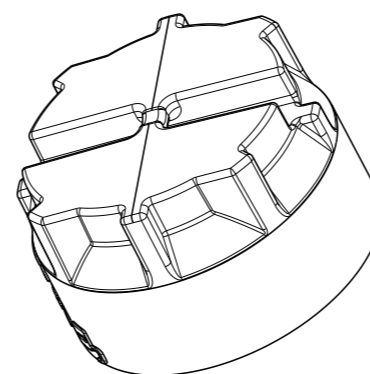
2061953-2 AS SHOWN

ASSEMBLED FULLAXS MINI BULKHEAD CAP



2061953-3 AS SHOWN

ASSEMBLED FULLAXS MINI BULKHEAD CAP WITHOUT CORD

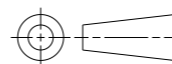


NOTES:

- 1 PACKAGING:
 - QTY 10 CAPS PLACED INTO A ESD BAG.
 - QTY 10 BAGS PLACED INTO A SHIPPING BOX
- 2 INFORMATION ON PACKAGING LABEL:
 - BARCODE
 - UNIQUE TE SERIAL NUMBER
 - TE CONNECTIVITY PART NUMBER & ORDER NUMBER

THIS DRAWING IS A CONTROLLED DOCUMENT.

DIMENSIONS:
mm



TOLERANCES UNLESS OTHERWISE SPECIFIED:	
0 PLC	±0,2
1 PLC	±0,1
2 PLC	±0,05
3 PLC	±0,025
4 PLC	±0,005
ANGLES	±2°

MATERIAL

FINISH

DWN R. COOLEN 24MAR2015

CHK B. MOOIJ 24MAR2015

APVD S. BORGAS 24MAR2015

PRODUCT SPEC

APPLICATION SPEC

WEIGHT

CUSTOMER DRAWING



TE Connectivity

NAME

FULLAXS MINI BULKHEAD CAP

SIZE

A3

CAGE CODE

-

DRAWING NO

C-2061953

RESTRICTED TO

-

SCALE 3:2

SHEET 1 OF 1

REV C1