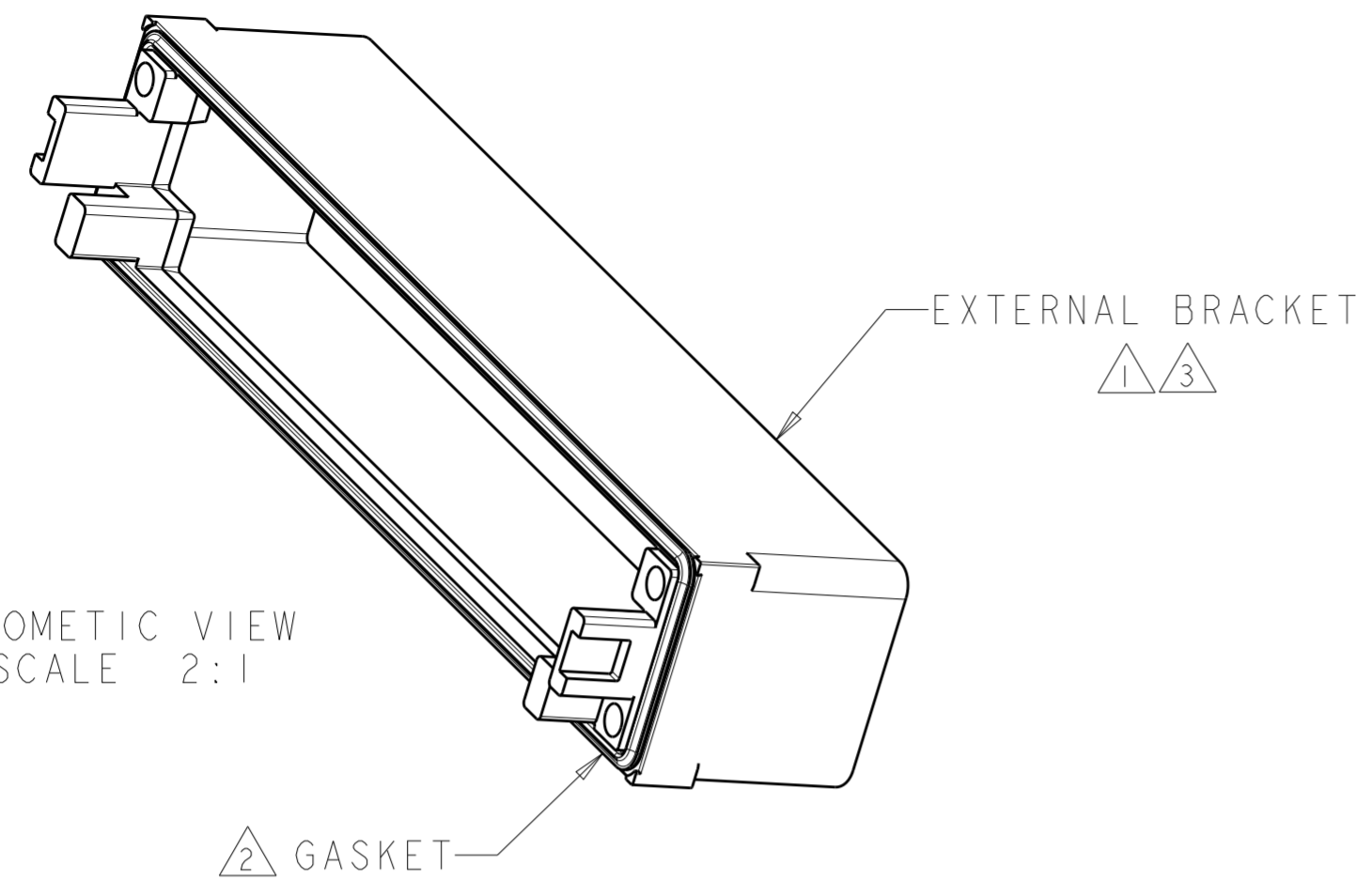
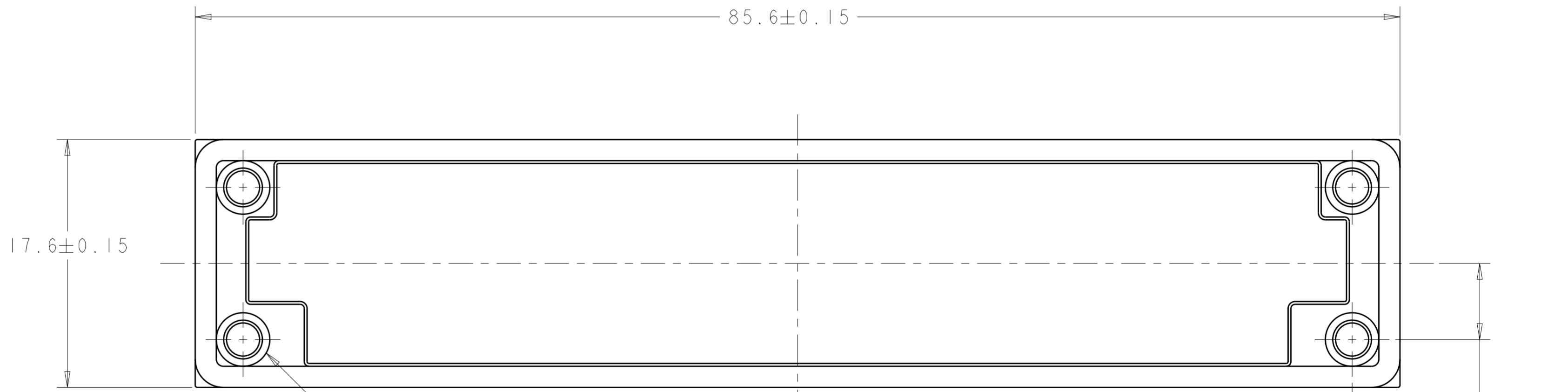
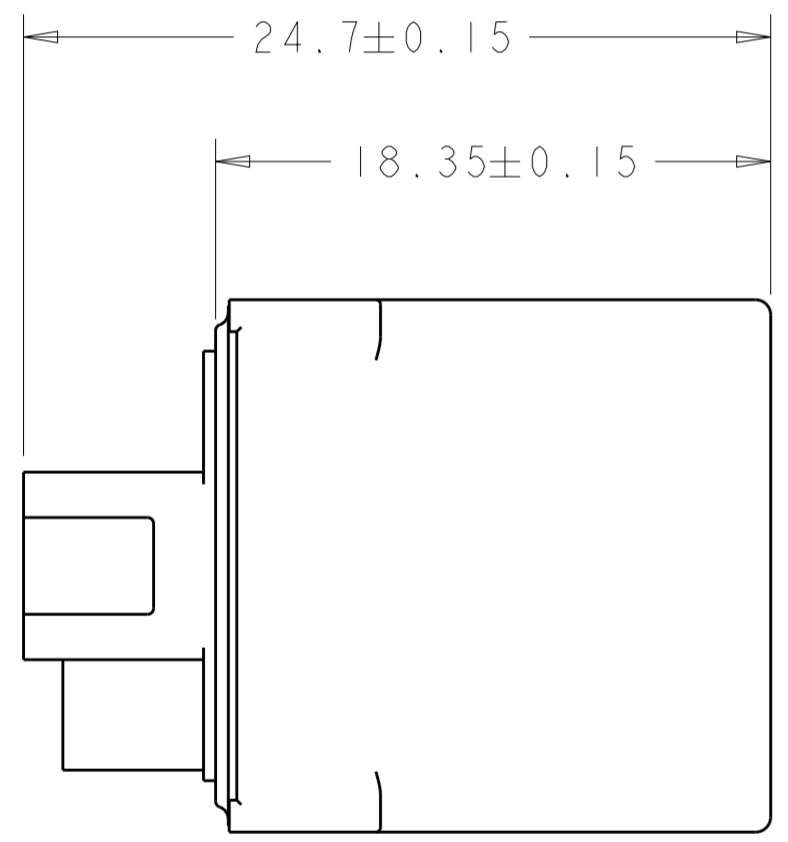


THIS DRAWING IS UNPUBLISHED. RELEASED FOR PUBLICATION 20  
 © COPYRIGHT 20 BY - ALL RIGHTS RESERVED.

LOC	DIST	REVISIONS					
GP	00	P	LTR	DESCRIPTION	DATE	DWN	APVD
		A		RELEASED	20OCT2015	PP	SH



- ① MATERIAL: ZINC ALLOY PER ASTM B 86. ALLOY AG40A.
- ② MATERIAL: CHOMERICS CHO-SEAL 1270, SILVER PLATED COPPER IN SILICONE.
- ③ FINISH: 1.27µm MIN NICKEL PLATE PER QQ-N-290 OVER 5.08µm MIN COPPER PLATE PER AMS 2418.



4X UNC 2-56  
CLEARANCE HOLE

2057626-1  
PART  
NUMBER

THIS DRAWING IS A CONTROLLED DOCUMENT. DIMENSIONING AND TOLERANCING PER ASME Y14.5M-2009		DWN C. VALENTINE 06NOV2008	<b>STE</b> TE Connectivity	
DIMENSIONS: mm		CHK E. BRIGHT 06NOV2008		
TOLERANCES UNLESS OTHERWISE SPECIFIED:		APVD E. BRIGHT 06NOV2008	NAME EXTERNAL BRACKET ASSEMBLY MODULE, CFP PLUGGABLE	
0 PLC ±	1 PLC ±	PRODUCT SPEC	SIZE CAGE CODE DRAWING NO RESTRICTED TO	
2 PLC ±	3 PLC ±	APPLICATION SPEC	A200779 C-2057626	
4 PLC ±	ANGLES ±	WEIGHT	SCALE 4:1 SHEET 1 OF 1 REV A	
MATERIAL	FINISH	Customer Drawing		