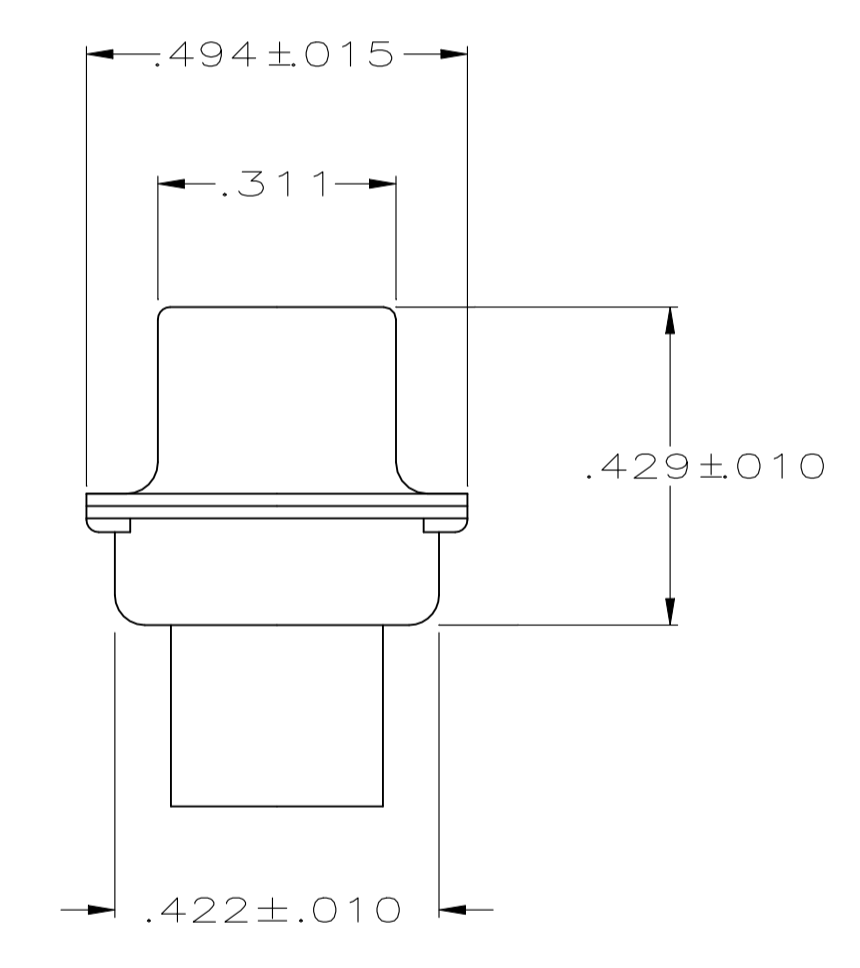
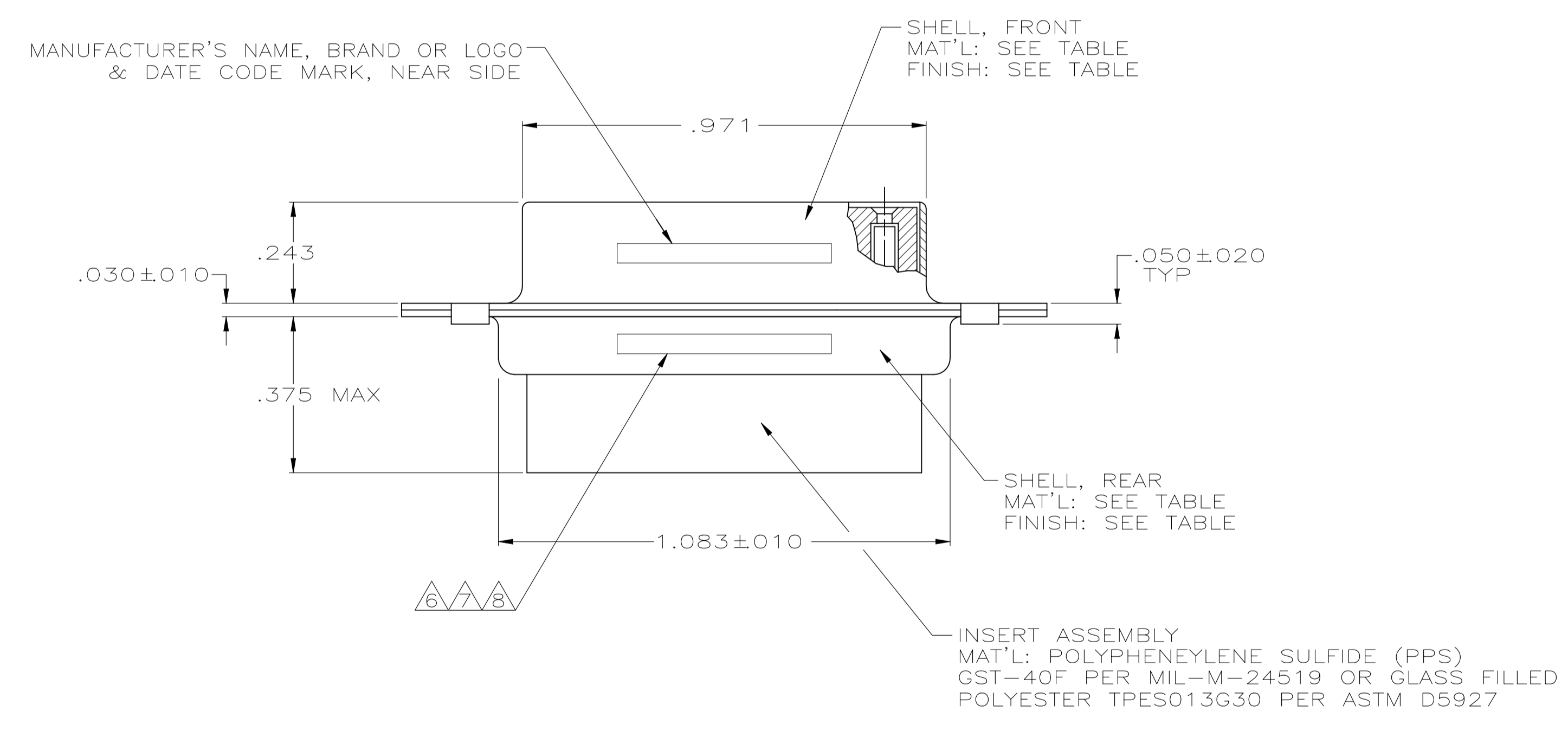
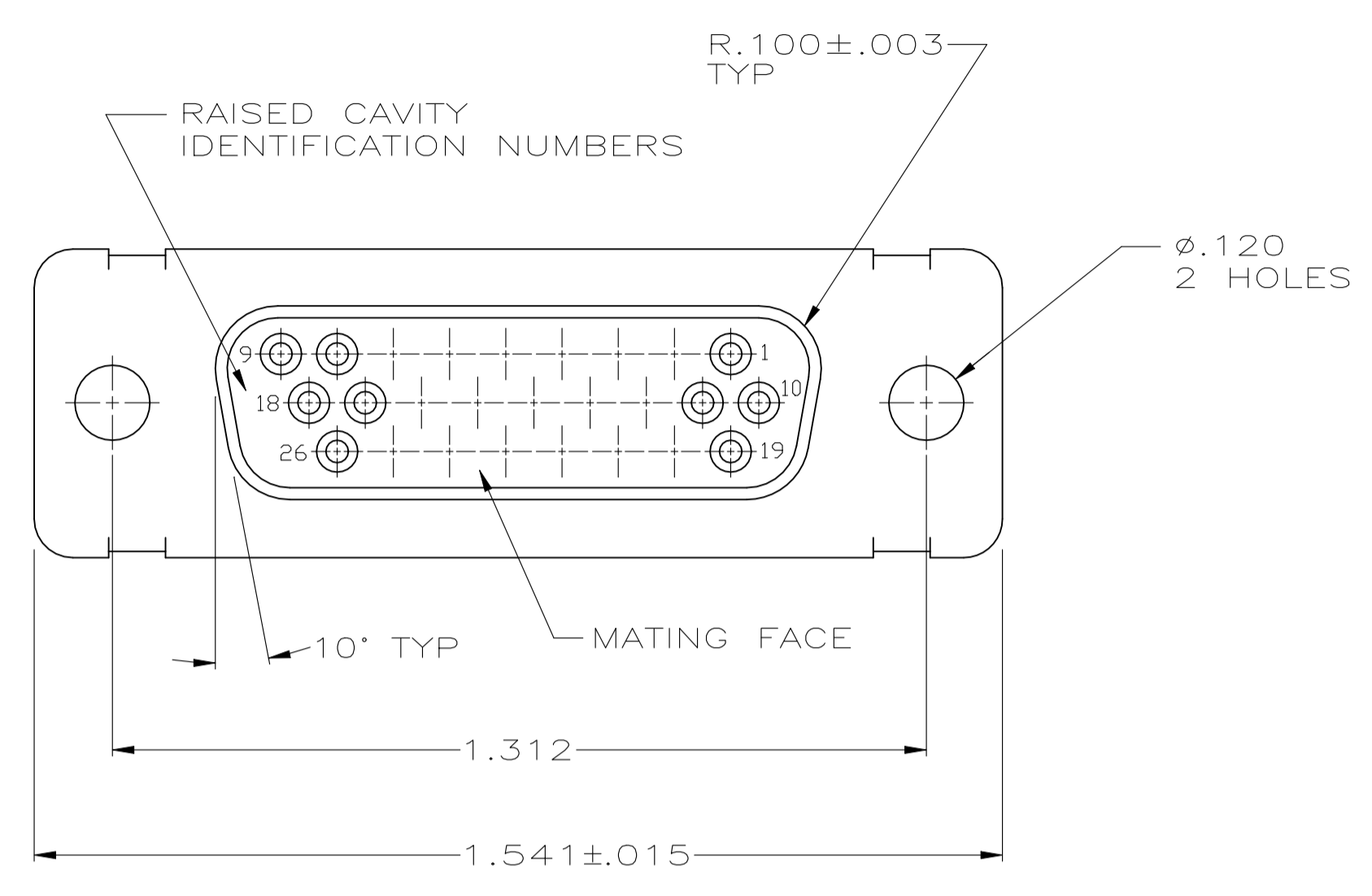


REVISIONS				
P	LTR	DESCRIPTION	DATE	APP'D
U		REVISED PER ECN-24-265809	15MAY2024	PP DS

1. THIS RCPT. IS DESIGNED TO CONFORM TO THE LATEST ISSUE OF MIL-C-24308.
2. MAX WIRE INSUL TO BE USED WITH THIS RCPT. IS  $\phi.054$ .
3. METAL RETENTION CLIPS ARE INCLUDED IN INSERTS.
4. PACKAGE STAMPED M 24308/2-287F.
5. THIS RCPT. WILL ACCEPT SIZE 22 SOCKET CONTACT M 39029/57-354 OR ANY TYCO HDD-22 SOCKET CONTACT.
6. MFG'S PART NO. MARKED ON CONNECTOR REPRESENTS KIT NUMBER WITH CONTACTS.
7. 204514 MARKING, NEAR SIDE. M24308/2-12F MARKING, FAR SIDE.
8. 204502-4 MARKING, NEAR SIDE.
9. FINISH: BRIGHT TIN PER ASTM-B-545, .000400-.000550 THK OVER COPPER PER AMS2418, .000050 MIN THK.



REMARKS	FINISH	SHELL MATERIAL	PART NO.
SUPSD BY 204502-1	-	CADMIUM PER QQ-P-416	STEEL, CLASS G 204502-4
SUPSD BY 206501-4	-	CADMIUM PER QQ-P-416	STEEL, CLASS G 204502-3
	-	CADMIUM PER QQ-P-416	BRASS 204502-2
	-	CADMIUM PER QQ-P-416	STEEL, CLASS G 204502-1

WARNING - THIS DOCUMENT CONTAINS TECHNOLOGY WHOSE EXPORT IS RESTRICTED BY THE EXPORT ADMINISTRATION REGULATIONS ("EAR") PURSUANT TO 15 C.F.R. PARTS 730-774. VIOLATIONS OF THE EAR ARE SUBJECT TO SEVERE CRIMINAL PENALTIES UNDER THE EXPORT CONTROL REFORM ACT, AS AMENDED (TITLE 50, U.S.C., SEC. 4801, ET SEQ.).

THIS DRAWING IS A CONTROLLED DOCUMENT.		DIN C.C.THOMAS 01-DEC-87		TE Connectivity	
DIMENSIONS: INCHES		TOLERANCES UNLESS OTHERWISE SPECIFIED:		APPROVED: F.C.BALLEW 25-JAN-88	
0. PLC ± -		1. PLC ± -		NAME: AMPLIMITE RCPT. FOR SOCKET CONTACTS HI-DENSITY D CONN SZ 2 (26 POSN) SERIES 90	
2. PLC ± -		3. PLC ± .005		APPLICATION SPEC	
4. PLC ± -		ANGLES ± 0°30'		SIZE: A1 00779 C=204502	
MATERIAL: SEE TABLE		FINISH: SEE TABLE		WEIGHT: -	
				CUSTOMER DRAWING	
				SCALE: 4:1 SHEET 1 of 1 REV U	