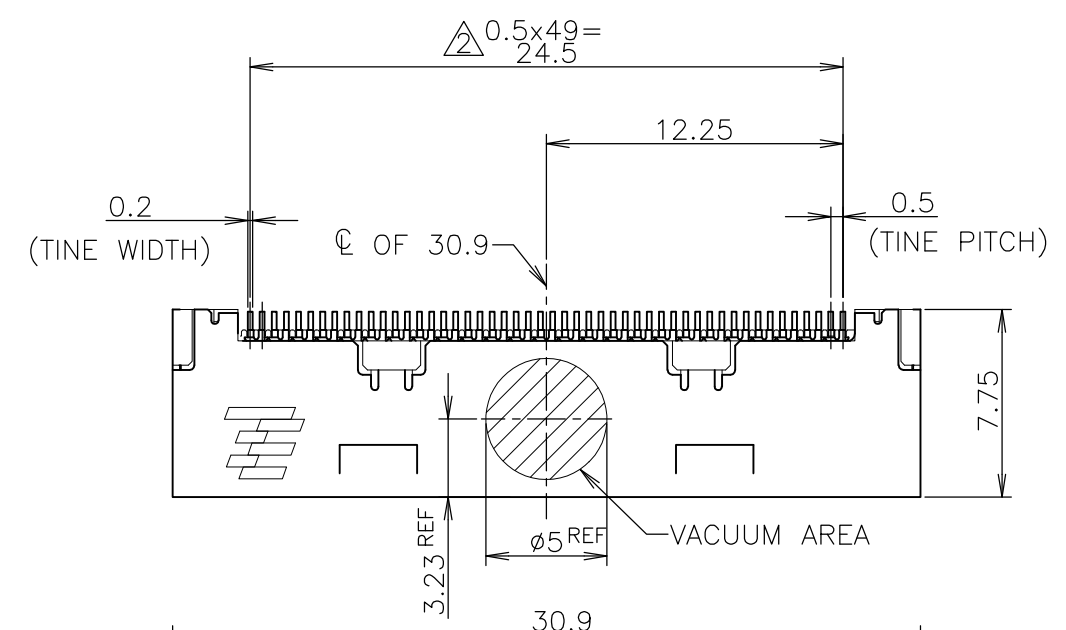


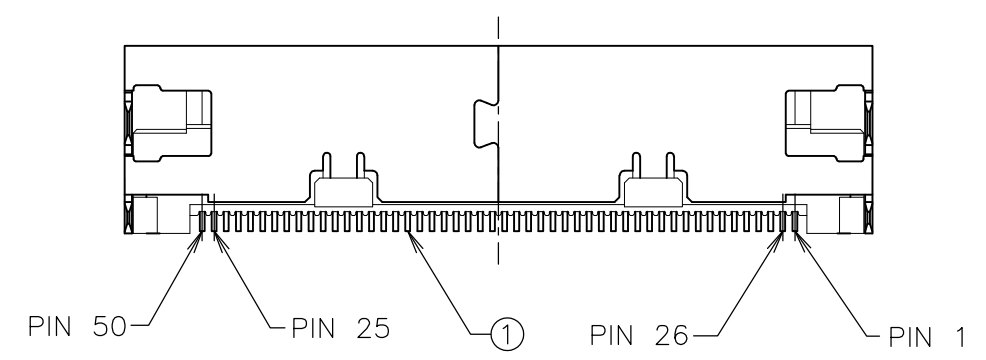
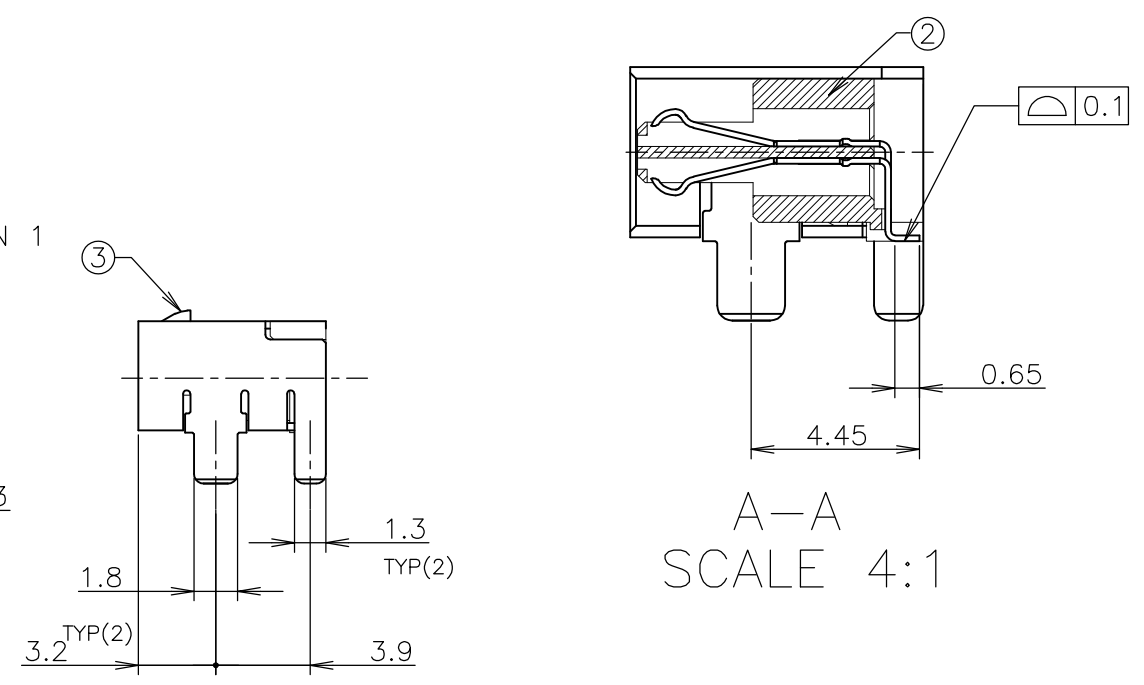
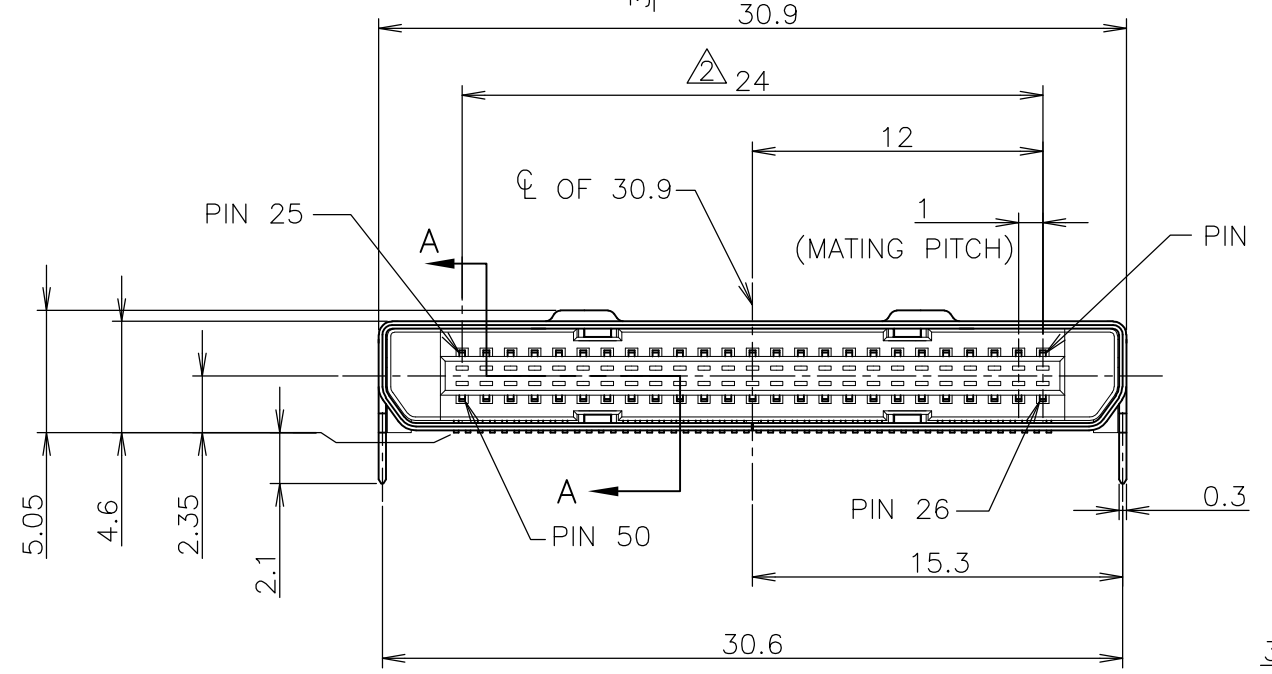
THIS DRAWING IS UNPUBLISHED. RELEASED FOR PUBLICATION APR, 2009. ALL RIGHTS RESERVED.

LOC	DIST	REVISIONS					
J	/	P	LTR	DESCRIPTION	DATE	DWN	APVD
		B		REVISED ECR-13-005046	22MAR2013	H.T	Y.Y

-1; AS SHOWN



- 1 推奨基板厚: 1.6mm
- 2 非累積公差
- 3 仕上げ  
 コントクト: 全面ニッケル下地 1.3μm 以上  
 接点部 金フラッシュめっき0.05μm 以上  
 半田付け部 錫めっき 2μm 以上
- 1 RECOMMENDED P.C BOARD THICKNESS; 1.6mm
- 2 NON CUMULATIVE
- 3 CONTACT; Ni UNDER PLATING ALL OVER  
 1.3um MIN.  
 Au PLATING ON CONTACT AREA  
 0.05um MIN.  
 Au PLATING ON SOLDERING AREA  
 0.03um MIN.



1	TIN PLATE OVER NICKEL UNDER PLATE 銅下地めっき上にすずめっき	COPPER ALLOY 銅合金	SHELL シェル	③
1	COLOR: BLACK 色: 黒	HIGH TEMP.THERMO PLASTIC,UL94V-0 熱可塑性樹脂 UL94V-0	HOUSING ハウジング	②
50	SOLDER TINE AREA; Au PLATE, CONTACT AREA; Au PLATE NICKEL UNDER PLATE ALL OVER タイン部:すずめっき、接触部:金めっき 全面ニッケル下地めっき	COPPER ALLOY 銅合金	CONTACT コンタクト	①
QTY	仕上/ FINISH	材料/MATERIAL	名称/NAME	ITEM

GENERAL TOLERANCE  
一般公差

10 ≥ : ±0.25  
 30 ≥ > 10: ±0.3  
 100 ≥ > 30: ±0.4  
 ANGLES: ±3°

THIS DRAWING IS A CONTROLLED DOCUMENT.

DIMENSIONS: 単位: 耗 mm

TOLERANCES UNLESS OTHERWISE SPECIFIED: 一般公差

0 PLC	± -
1 PLC	± -
2 PLC	± -
3 PLC	± -
4 PLC	± -
ANGLES	± -

MATERIAL 材料

FINISH 仕上

WEIGHT

CUSTOMER DRAWING

DWN T.WATANABE 22SEP2008  
 CHK S.KAJINUMA 22SEP2008  
 APVD T.FUTATSUGI 22SEP2008

NAME 名称: 1MM WIRE TO BOARD INTERNAL CONNECTOR RECEPTACLE 50 POSITIONS

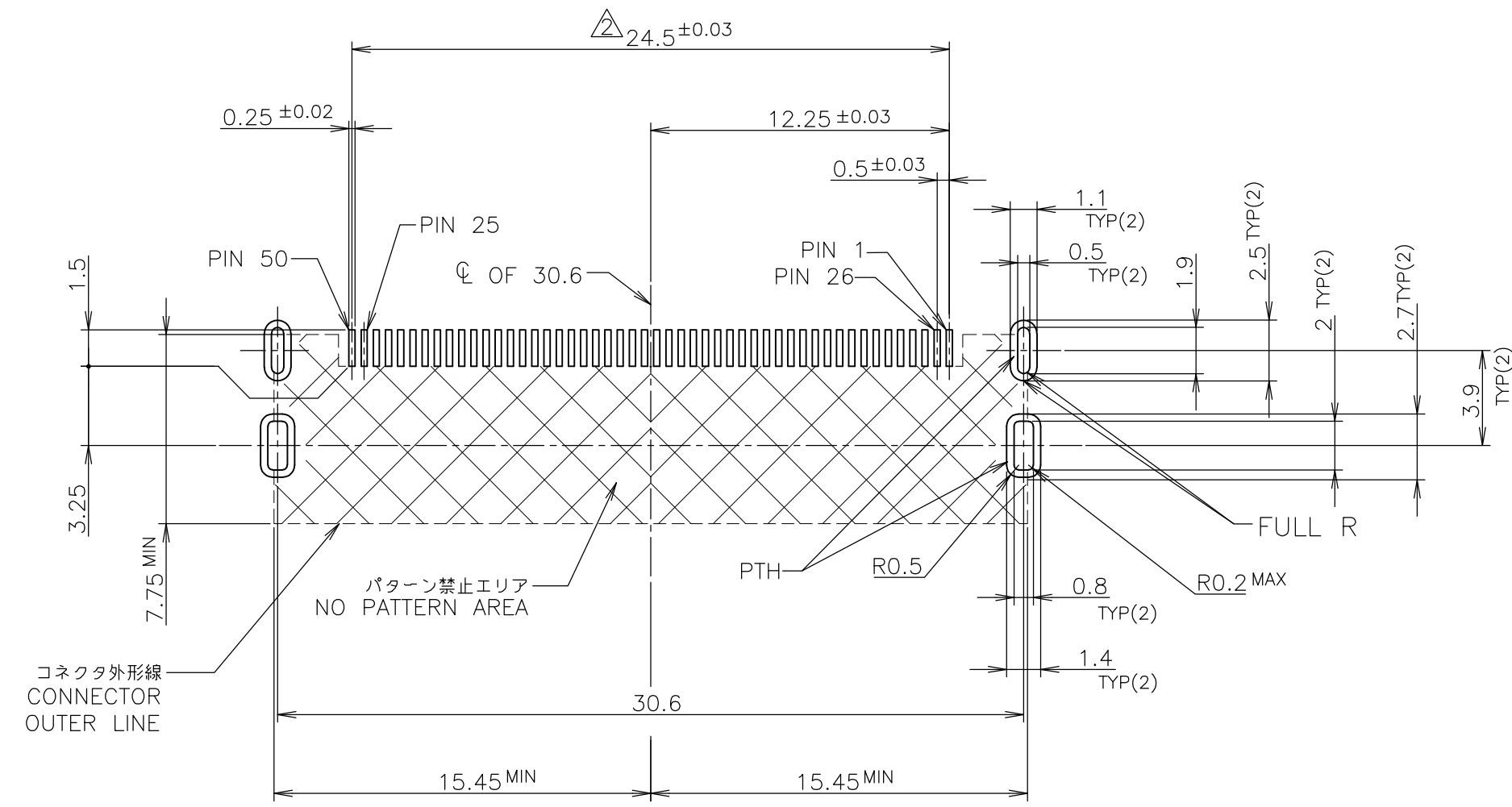
SIZE: A3 CAGE CODE: 00779 DRAWING NO: C-2040805 RESTRICTED TO: -

SCALE: 尺度 NTS SHEET: 1 OF 3 REV: B

STE TE Connectivity

THIS DRAWING IS UNPUBLISHED. RELEASED FOR PUBLICATION APR , 2009.  
 © COPYRIGHT 2009 By - ALL RIGHTS RESERVED.

LOC	DIST	REVISIONS					
J	/	P	LTR	DESCRIPTION	DATE	DWN	APVD
		-		SEE SHEET 1	-	-	-



推奨パターンレイアウト(コネクタ取付面)  
 RECOMMENDED PWB LAYOUT (COMPONENT SIDE)  
 一般公差 : ±0.05  
 GENERAL TOLERANCE : ±0.05

THIS DRAWING IS A CONTROLLED DOCUMENT.		DWN	<b>STE</b> TE Connectivity		
DIMENSIONS: 単位: 耗 mm		CHK			
TOLERANCES UNLESS OTHERWISE SPECIFIED: 一般公差		APVD	NAME 名称 1MM WIRE TO BOARD INTERNAL CONNECTOR RECEPTACLE 50 POSITIONS		
0 PLC ± - 1 PLC ± - 2 PLC ± - 3 PLC ± - 4 PLC ± - ANGLES ± -		PRODUCT SPEC 製品規格	SIZE		
MATERIAL 材料		APPLICATION SPEC 取付適用規格	CAGE CODE	DRAWING NO 番号	RESTRICTED TO
FINISH 仕上		WEIGHT	A3	00779	G-2040805
CUSTOMER DRAWING			SCALE 尺度	SHEET	REV
			4:1	2 OF 3	B

THIS DRAWING IS UNPUBLISHED.

RELEASED FOR PUBLICATION APR , 2009.

LOC J DIST

REVISIONS

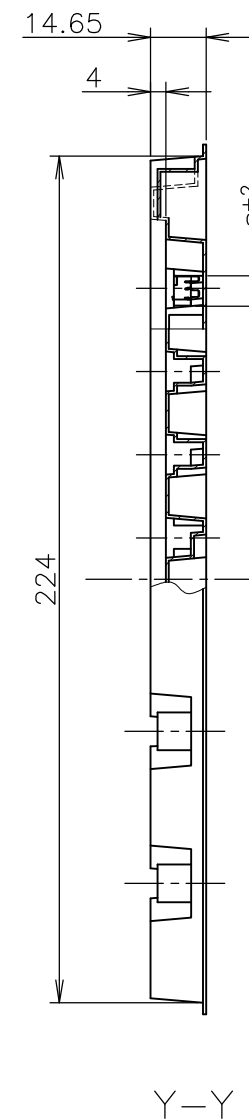
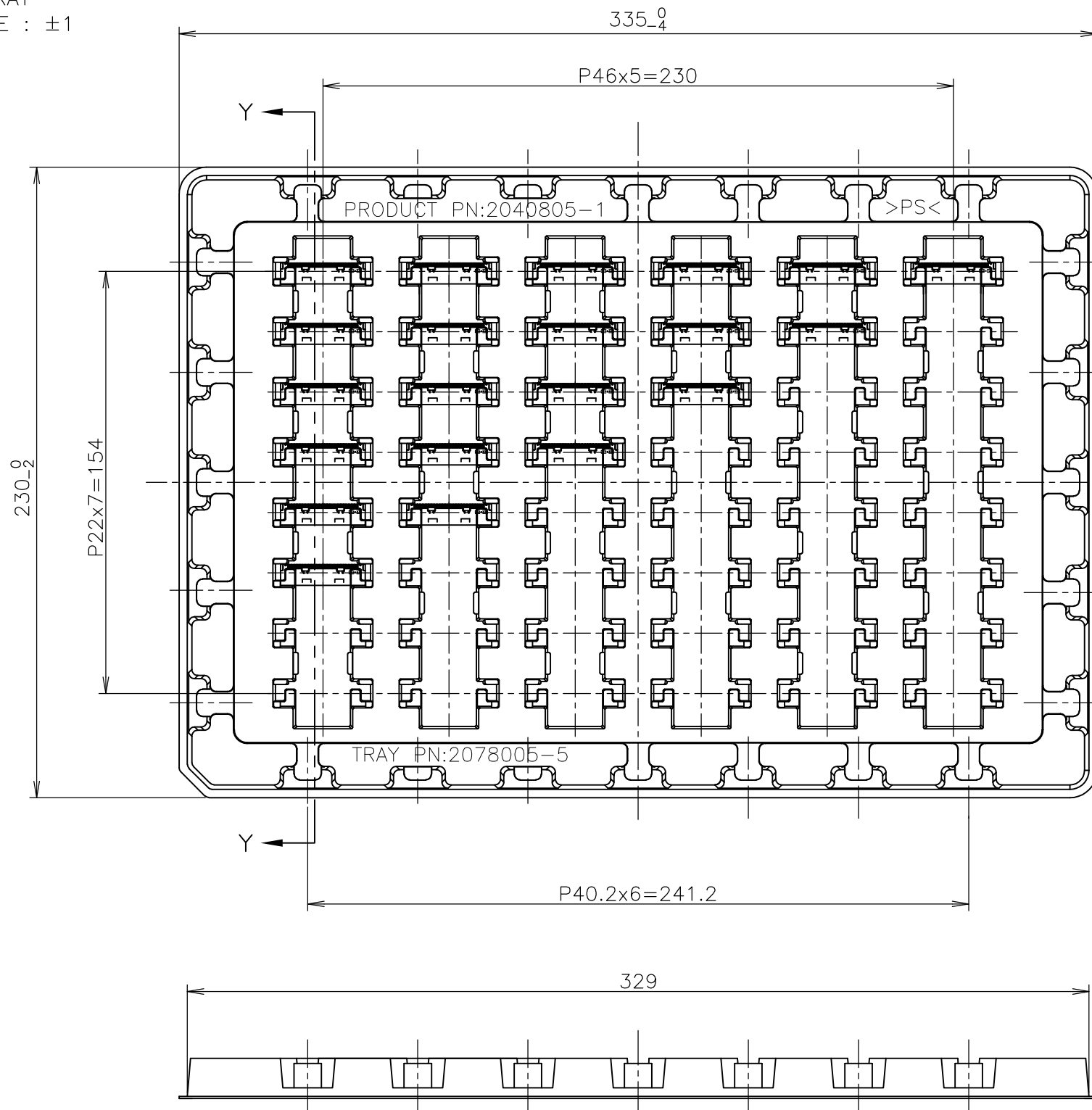
变更

© COPYRIGHT 2009 By -

ALL RIGHTS RESERVED.

P	LTR	DESCRIPTION	DATE	DWN	APVD
-	-	SEE SHEET 1	-	-	-

QUANTITY : 48EA/TRAY  
GENERAL TOLERANCE : ±1



THIS DRAWING IS A CONTROLLED DOCUMENT.

DIMENSIONS:  
单位: 耗  
mm

TOLERANCES UNLESS OTHERWISE SPECIFIED:  
一般公差

0 PLC	± -
1 PLC	± -
2 PLC	± -
3 PLC	± -
4 PLC	± -
ANGLES	± -

MATERIAL  
材料

FINISH  
仕上

DWN  
CHK  
APVD  
PRODUCT SPEC  
製品規格  
APPLICATION SPEC  
取付適用規格  
WEIGHT



NAME  
名称  
1MM WIRE TO BOARD INTERNAL CONNECTOR  
RECEPTACLE 50 POSITIONS

SIZE	CAGE CODE	DRAWING NO 番号	RESTRICTED TO
A3	00779	C-2040805	-

CUSTOMER DRAWING SCALE 尺度 NTS SHEET 3 OF 3 REV B