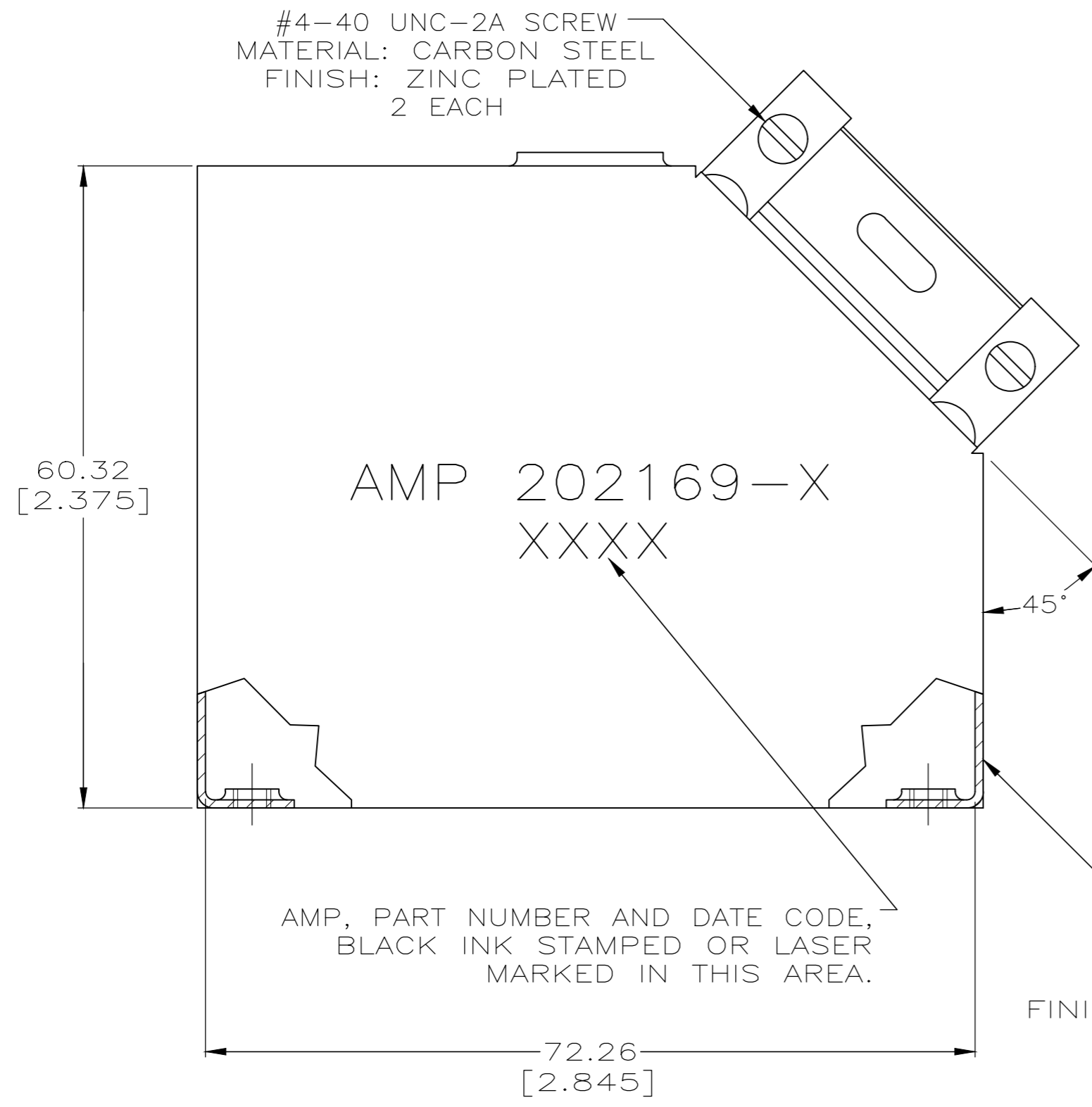


THIS DRAWING IS UNPUBLISHED. RELEASED FOR PUBLICATION
 © COPYRIGHT - L ALL RIGHTS RESERVED.

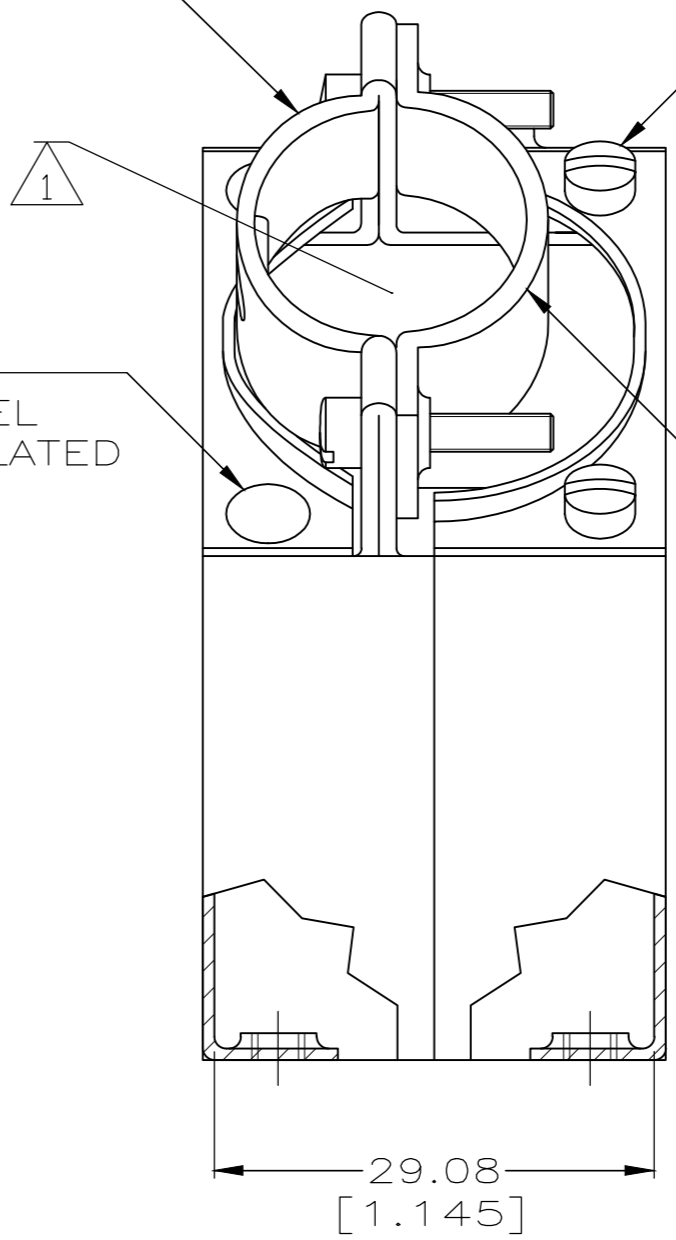
REVISIONS				
P	LTR	DESCRIPTION	DATE	APVD
L		REVISED PER ECO-18-007013	21MAY2018	KH MZ



FIXED CABLE CLAMP
 MATERIAL: STAINLESS STEEL
 1 EACH

RIVET
 MATERIAL: STEEL
 FINISH: NICKEL PLATED
 2 EACH

SHIELDS
 MATERIAL: CARBON STEEL
 FINISH: 5.08um [.000200] MIN NICKEL
 2 EACH



#4-40 UNC-2A SCREW
 MATERIAL: CARBON STEEL
 FINISH: $\triangle 2$ $\triangle 3$
 2 EACH

CABLE CLAMP
 MATERIAL: CARBON STEEL
 FINISH: 5.08um [.000200] MIN NICKEL
 1 EACH

$\triangle 3$	202169-4
$\triangle 2$	202169-1
SCREW FINISH	PART NUMBER

- $\triangle 1$ ACCOMMODATES 22.86-25.40[.900-1.000] DIAMETER CABLE.
- $\triangle 2$ FINISH: ZINC WITH HEXAVALENT CHROMATE.
- $\triangle 3$ FINISH: ZINC WITH NON-HEXAVALENT CHROMATE.

THIS DRAWING IS A CONTROLLED DOCUMENT.		DWN D.HARDY 10-25-94	STE TE Connectivity Ltd.	
DIMENSIONS: mm [INCHES]		CHK R.STONE 10-27-94		
TOLERANCES UNLESS OTHERWISE SPECIFIED:		APVD -	NAME SHIELD KIT, UNASSEMBLED, 104 POSITION, M SERIES	
0 PLC ± -		PRODUCT SPEC -	SIZE A2	
1 PLC ± -		APPLICATION SPEC -	CAGE CODE 00779	DRAWING NO C=202169
2 PLC ± 0.38 [.015]		WEIGHT 0	RESTRICTED TO -	
3 PLC ± -		CUSTOMER DRAWING	SCALE 2:1	SHEET 1 of 1
4 PLC ± -			REV L	
ANGLES ± -				
MATERIAL SEE CALLOUTS	FINISH SEE CALLOUTS			