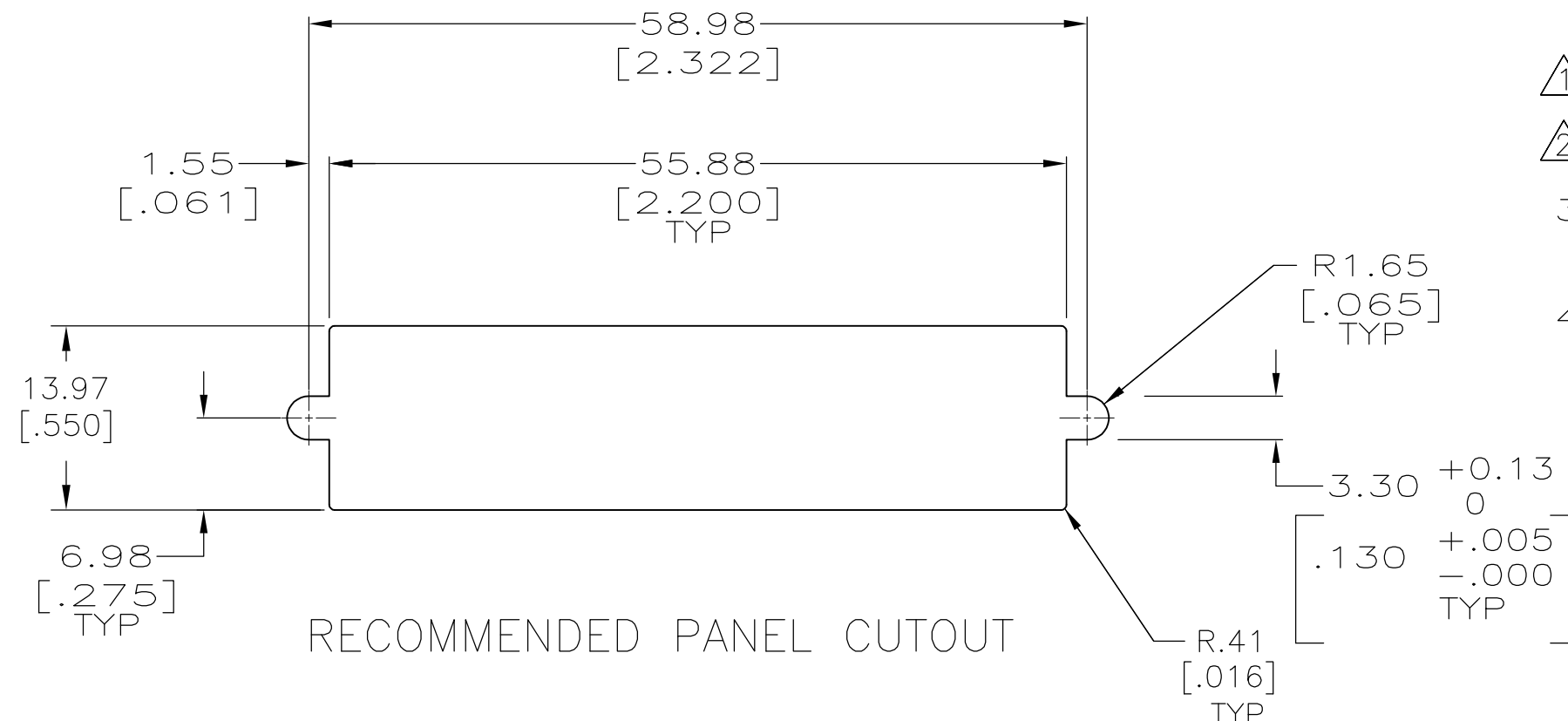
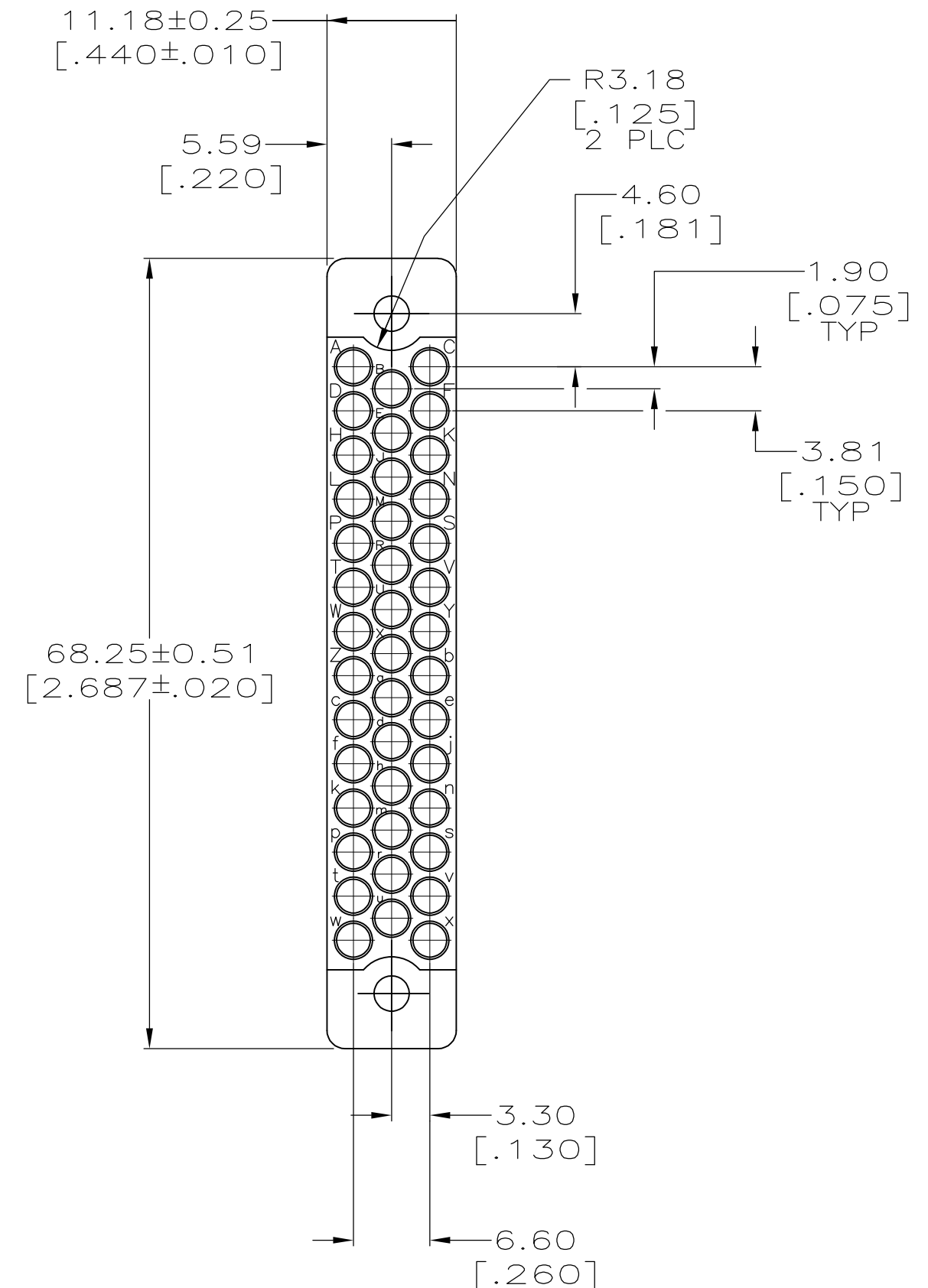
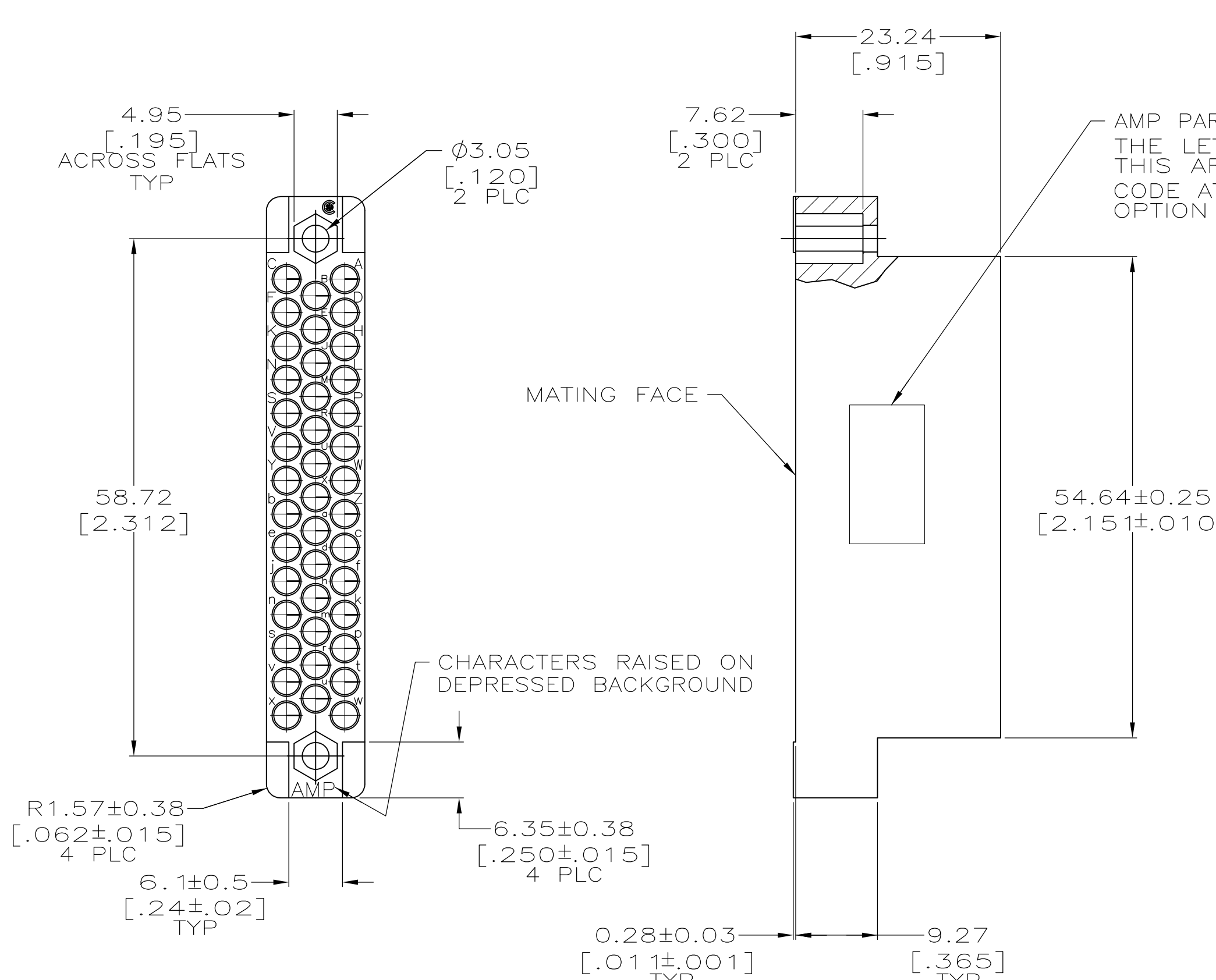


THIS DRAWING IS UNPUBLISHED. RELEASED FOR PUBLICATION
 © COPYRIGHT - By - ALL RIGHTS RESERVED.

REVISIONS				
P	LTR	DESCRIPTION	DATE	APVD
M1		REVISED PER ECO-16-004000	28SEP2016	NK MZ



- 1. PHENOLIC, BLACK, PER MIL-M-14, TYPE CFG.
- 2. DIALYL PHTHALATE, BLUE, PER MIL-M-14, TYPE SDG-F.
- 3. ACCOMODATES 41 #16 TYPE II OR TYPE III PIN CONTACTS OR SOCKET CONTACTS.
- 4. MATES WITH 201302.

OBSELETE	2	202135-4
	1	202135-2
MATERIAL		PART NUMBER

THIS DRAWING IS A CONTROLLED DOCUMENT.		DWN C.REIFSNYDER 19 FEB 96	TE Connectivity	
DIMENSIONS: mm [INCHES]		CHK R.STONE 13 MAR 96	MALE BLOCK, DEEP, 41 POSITION, M SERIES	
TOLERANCES UNLESS OTHERWISE SPECIFIED:		APVD G.A.STEINHAUER 25 JUN 96	SIZE A2 CAGE CODE 00779 C=202135	
0 PLC ± -	1 PLC ± -	PRODUCT SPEC -	RESTRICTED TO -	
2 PLC ± 0.13 [.005]	3 PLC ± -	APPLICATION SPEC -	SCALE 2:1 SHEET 1 OF 1	
4 PLC ± -	ANGLES ± -	WEIGHT -	REV M1	
MATERIAL SEE TABLE	FINISH -	CUSTOMER DRAWING		