

THIS DRAWING IS UNPUBLISHED.

RELEASED FOR PUBLICATION

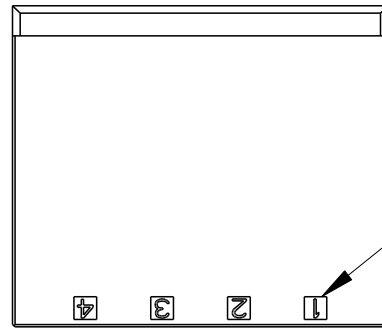
20

© COPYRIGHT 20

BY Tyco Electronics Japan G.K.

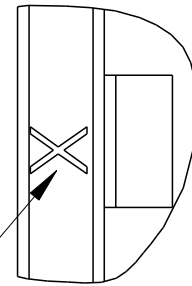
ALL RIGHTS RESERVED.

LOC	DIST	REVISIONS					
		P	LTR	DESCRIPTION	DATE	DWN	APVD
J	-	A		RELEASED	12SEP2007	T.S	D.M
		B		REVISED	18JAN2012	T.N	N.Y



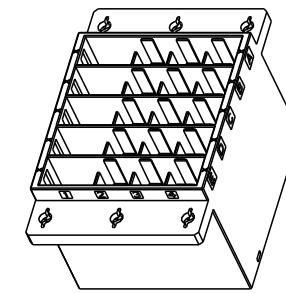
AS SHOWN: 2013285-2
(P/M BOTTOM)
KEYING CODE: X

回路番号
CIRCUIT No

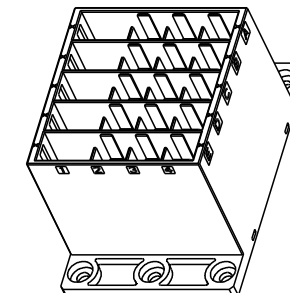


KEYING CODE: X

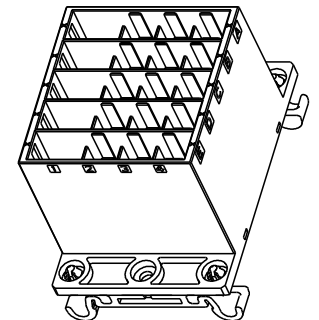
DETAIL A
SCALE 5:1



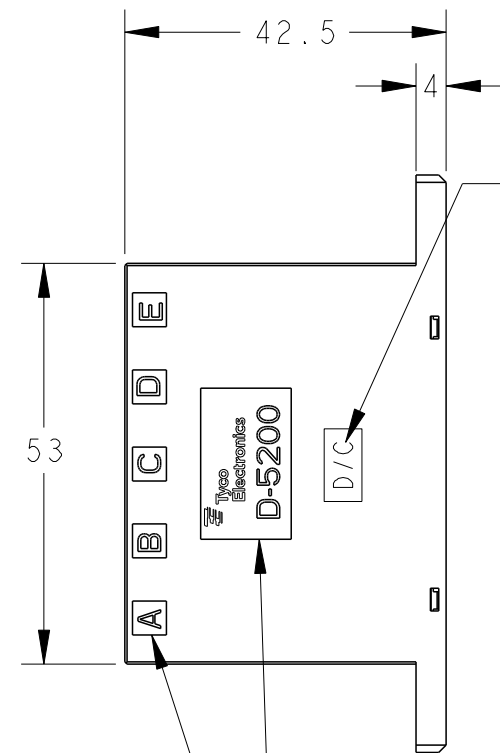
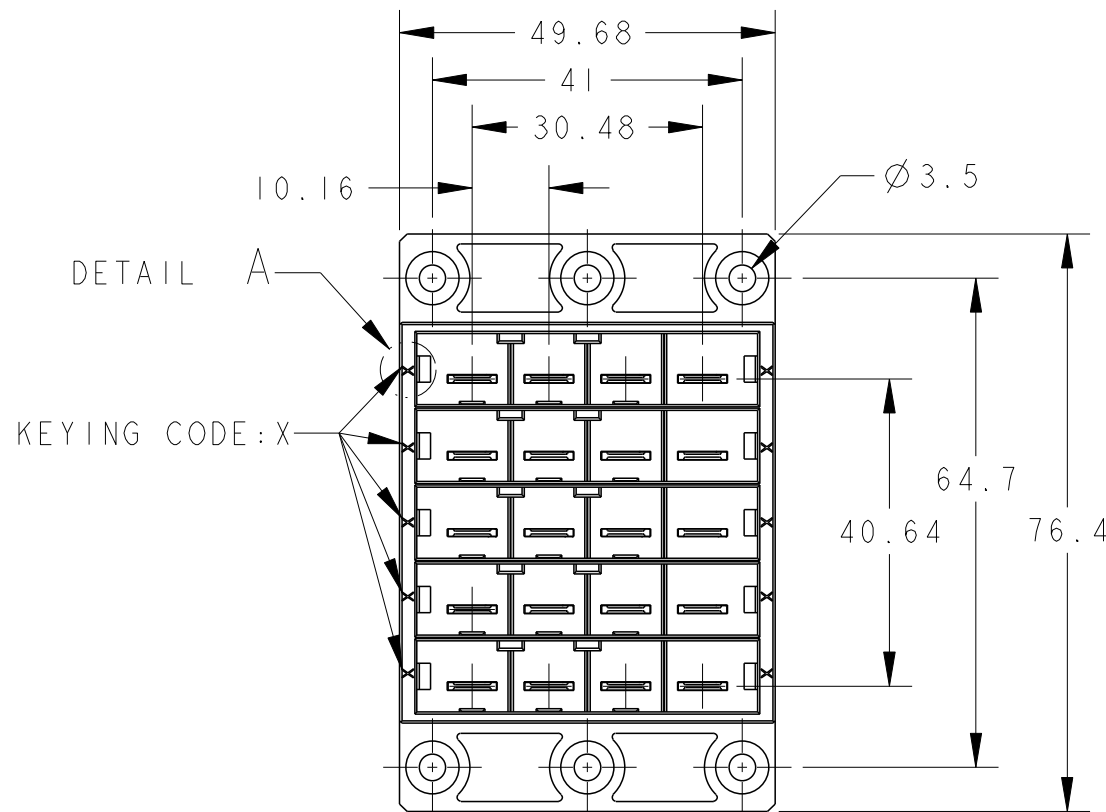
P/M FRONT
2013285-1
2-2013285-1



P/M BOTTOM
2013285-2
2-2013285-2

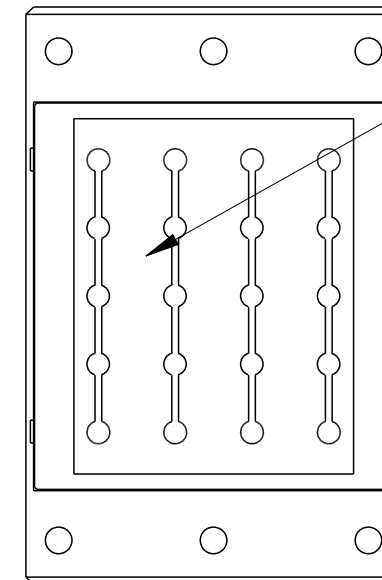


WITH DIN TYPE
2013285-3
2-2013285-2



列番号
ROW No

Tycoマーク&シリーズマーク
Tyco MARK & SERIES MARK

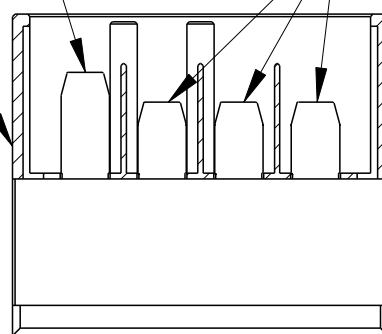


キャップハウジング
CAP HOUSING

ロングタブコンタクト
LONG TAB CONTACT

タブコンタクト
TAB CONTACT

タブハウジング
TAB HOUSING



4 OF 4	Y	2-2013285-3	WITH DIN TYPE
2 OF 4	X	2013285-3	
3 OF 4	Y	2-2013285-2	P/M BOTTOM
1 OF 4	X	2013285-2	
3 OF 4	Y	2-2013285-1	P/M FRONT
2 OF 4	X	2013285-1	
SHEET	KEY	P/N	DESCRIPTION

DIMENSIONS:		TOLERANCES UNLESS OTHERWISE SPECIFIED:		DYNATAP CONN. 20P ASSY DYNAMIC D-5200SERIES	
mm		0 PLC	± 0.4	NAME	DYNATAP CONN. 20P ASSY
		1 PLC	± 3°	PRODUCT SPEC	DYNAMIC D-5200SERIES
		2 PLC	±	APPLICATION SPEC	-
		3 PLC	±	SIZE	A300779
		4 PLC	±	CAGE CODE	C=2013285
		ANGLES	±	DRAWING NO	-
MATERIAL		FINISH		RESTRICTED TO	-
				SCALE	1:1
THIS DRAWING IS A CONTROLLED DOCUMENT.				DWN	12SEP2007
				CHK	12SEP2007
				APVD	12SEP2007
				PRODUCT SPEC	108-78370
				WEIGHT	114-5206
				CUSTOMER DRAWING	SHEET 1 OF 4 REV B

TE TE Connectivity

THIS DRAWING IS UNPUBLISHED.

RELEASED FOR PUBLICATION

20

LOC

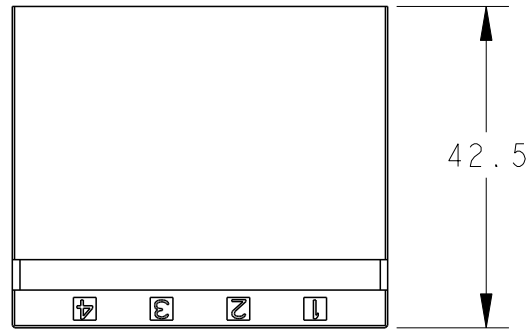
DIST

REVISIONS

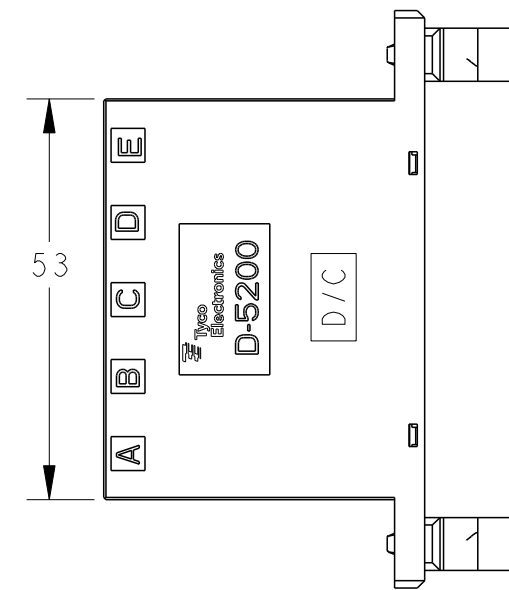
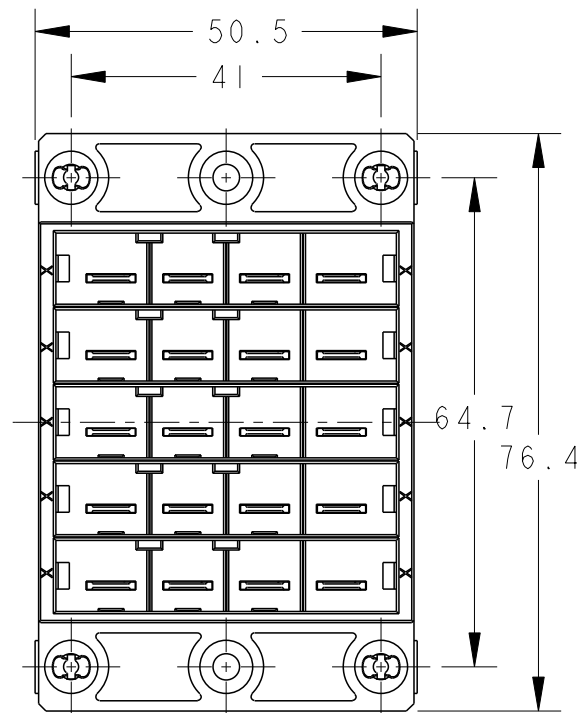
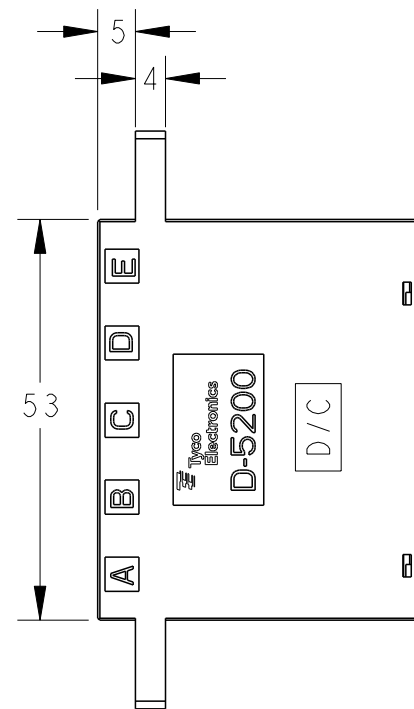
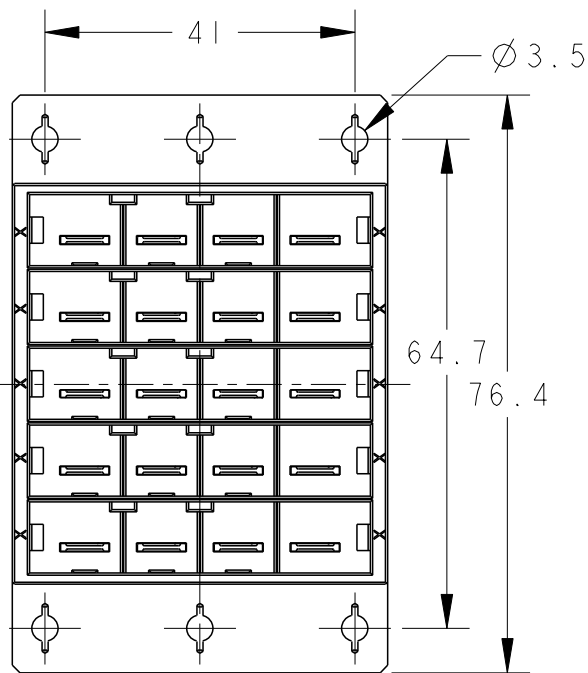
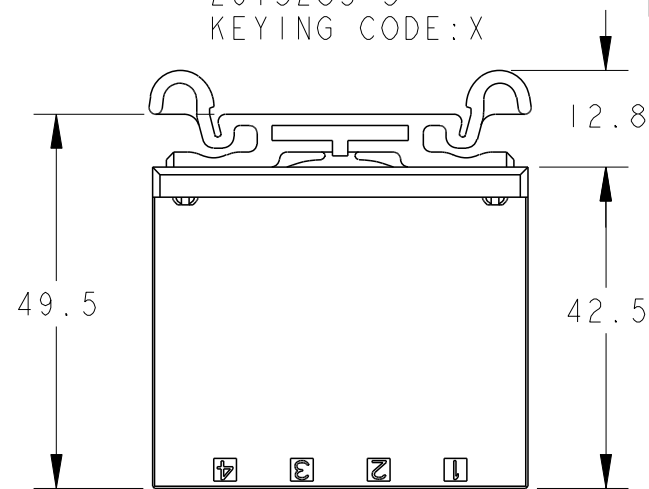
© COPYRIGHT 20 BY Tyco Electronics Japan G.K. ALL RIGHTS RESERVED.

P	LTR	DESCRIPTION	DATE	DWN	APVD
-	-	SEE SHEET 1	-	-	-

P/M FRONT
2013285-1
KEYING CODE: X



WITH DIN TYPE
2013285-3
KEYING CODE: X



THIS DRAWING IS A CONTROLLED DOCUMENT.

DWN
CHK
APVD
PRODUCT SPEC
APPLICATION SPEC
WEIGHT



DIMENSIONS: mm	
MATERIAL	

TOLERANCES UNLESS OTHERWISE SPECIFIED:		
0 PLC	±	±0.4
1 PLC	±	±3°
2 PLC	±	±3°
3 PLC	±	±
4 PLC	±	±
ANGLES	±	±
FINISH	±	±

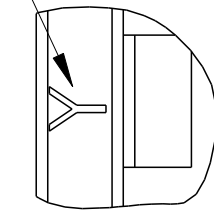
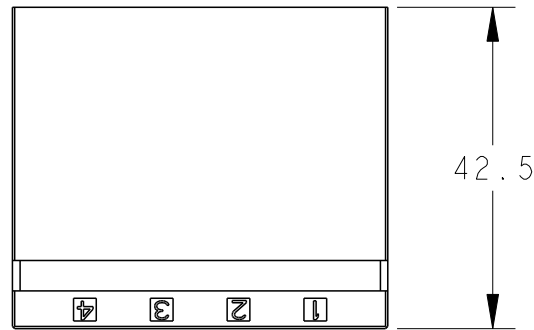
NAME DYNATAP CONN. 20P ASSY DYNAMIC D-5200SERIES			
SIZE	CAGE CODE	DRAWING NO	RESTRICTED TO
A300779	C=2013285		-

CUSTOMER DRAWING	SCALE	SHEET 2 OF 4	REV B
------------------	-------	--------------	-------

LOC	DIST	REVISIONS					
		P	LTR	DESCRIPTION	DATE	DWN	APVD
J	-		-	SEE SHEET 1	-	-	-

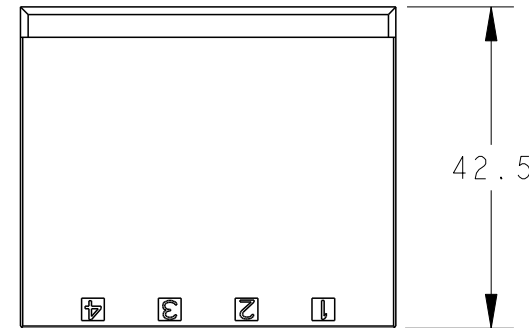
KEYING CODE:Y

P/M FRONT
2-2013285-1
KEYING CODE:Y

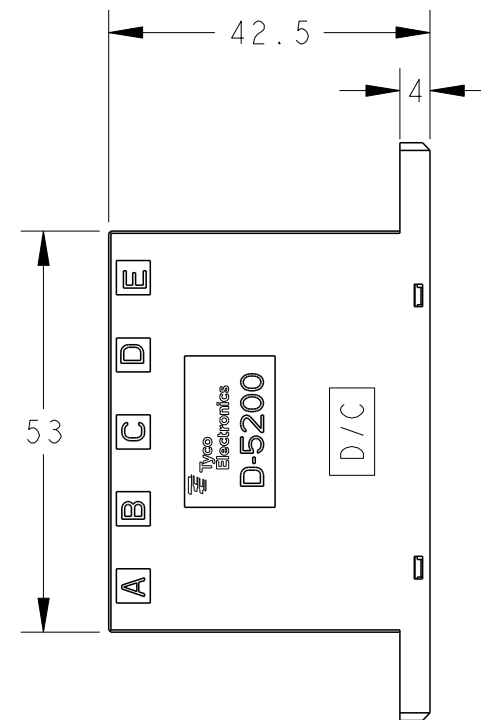
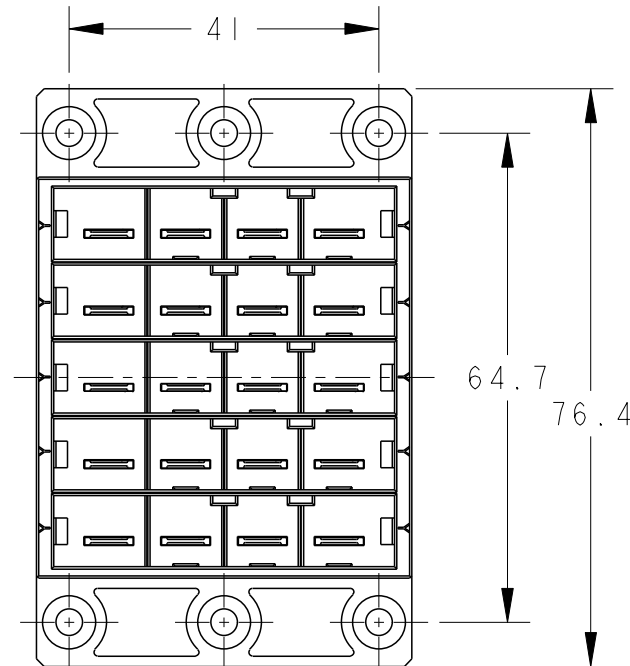
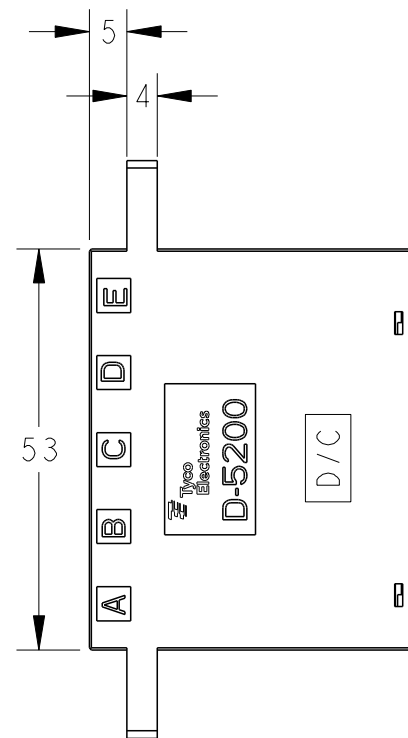
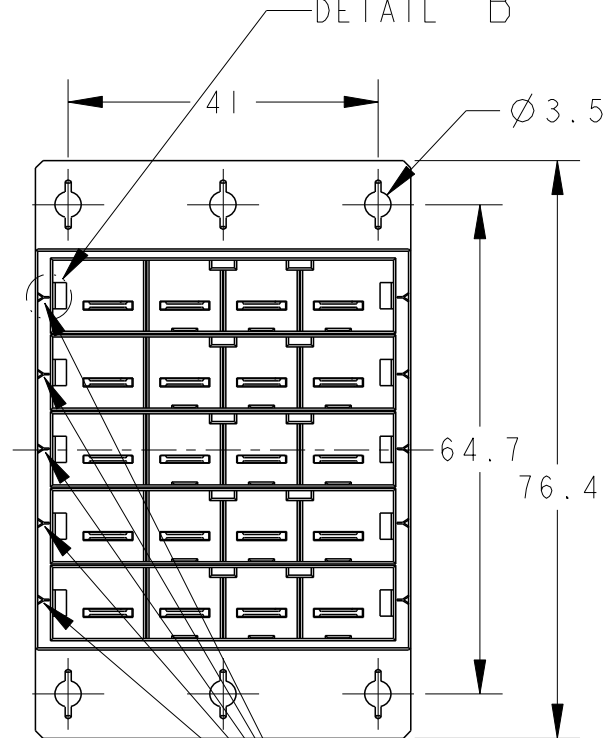


DETAIL B
SCALE 5:1

P/M BOTTOM
2-2013285-2
KEYING CODE:Y



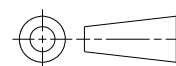
DETAIL B



KEYING CODE:Y

THIS DRAWING IS A CONTROLLED DOCUMENT.

DIMENSIONS:
mm



TOLERANCES UNLESS OTHERWISE SPECIFIED:

0 PLC	±	
1 PLC	±	± 0.4
2 PLC	±	± 3°
3 PLC	±	
4 PLC	±	
ANGLES		±
FINISH		

MATERIAL

DWN

CHK

APVD

PRODUCT SPEC

APPLICATION SPEC

WEIGHT

CUSTOMER DRAWING



NAME
DYNATAP CONN. 20P ASSY
DYNAMIC D-5200SERIES

SIZE A3
CAGE CODE 300779
DRAWING NO. C-2013285

RESTRICTED TO

-

SCALE 1:1 SHEET 3 OF 4 REV B

4

3

2

1

THIS DRAWING IS UNPUBLISHED.

RELEASED FOR PUBLICATION

20

© COPYRIGHT 20

BY Tyco Electronics Japan G.K.

ALL RIGHTS RESERVED.

LOC	DIST	REVISIONS					
		P	LTR	DESCRIPTION	DATE	DWN	APVD
J	-		-	SEE SHEET 1	-	-	-

WITH DIN TYPE
2-2013285-3
KEYING CODE: Y

ハ°ネル加工推奨寸法図
RECOMMEND PANEL LAYOUT

注記

① 材料: ハウジング: 熱可塑性ポリエステル樹脂 黒色
: DIN レール取付部: 熱可塑性ポリエステル樹脂 黒色
: コンタクト: 銅合金

② メッキ: コンタクト: 全面Ni下地 $1.3\mu\text{m}$ MIN.
接点部金メッキ $0.38\mu\text{m}$ MIN
3. DINレール取付適用幅は、 $35\pm 0.3\text{mm}$ とする。

NOTES

① MATERIAL
: HOUSING: GLASS FIELD THERMO PLASTIC, POLYESTER COLOR: BLACK
: DIN RAIL FOOT: GLASS FIELD THERMO PLASTIC, POLYESTER COLOR: BLACK
: CONTACT: COPPER ALLOY

② FINISH
: UNDER PLATE: Ni $1.3\mu\text{m}$ MIN, CONTACT AREA: Au $0.38\mu\text{m}$ MIN
3 WIDTH OF DIN RAIL ATTACHMENT APPLICATION: $35\pm 0.3\text{mm}$

THIS DRAWING IS A CONTROLLED DOCUMENT.

DIMENSIONS:
mm

TOLERANCES UNLESS OTHERWISE SPECIFIED:

0 PLC	±	
1 PLC	±	± 0.4
2 PLC	±	$\pm 3^\circ$
3 PLC	±	
4 PLC	±	
ANGLES		±
FINISH		

MATERIAL

FINISH

DWN	TE Connectivity		
CHK			
APVD	NAME DYNATAP CONN. 20P ASSY DYNAMIC D-5200SERIES		
PRODUCT SPEC	-		
APPLICATION SPEC	-		
SIZE	CAGE CODE	DRAWING NO	RESTRICTED TO
A3	00779	C=2013285	-
CUSTOMER DRAWING			SCALE : SHEET 4 OF 4 REV B

1470-19 (3/11)