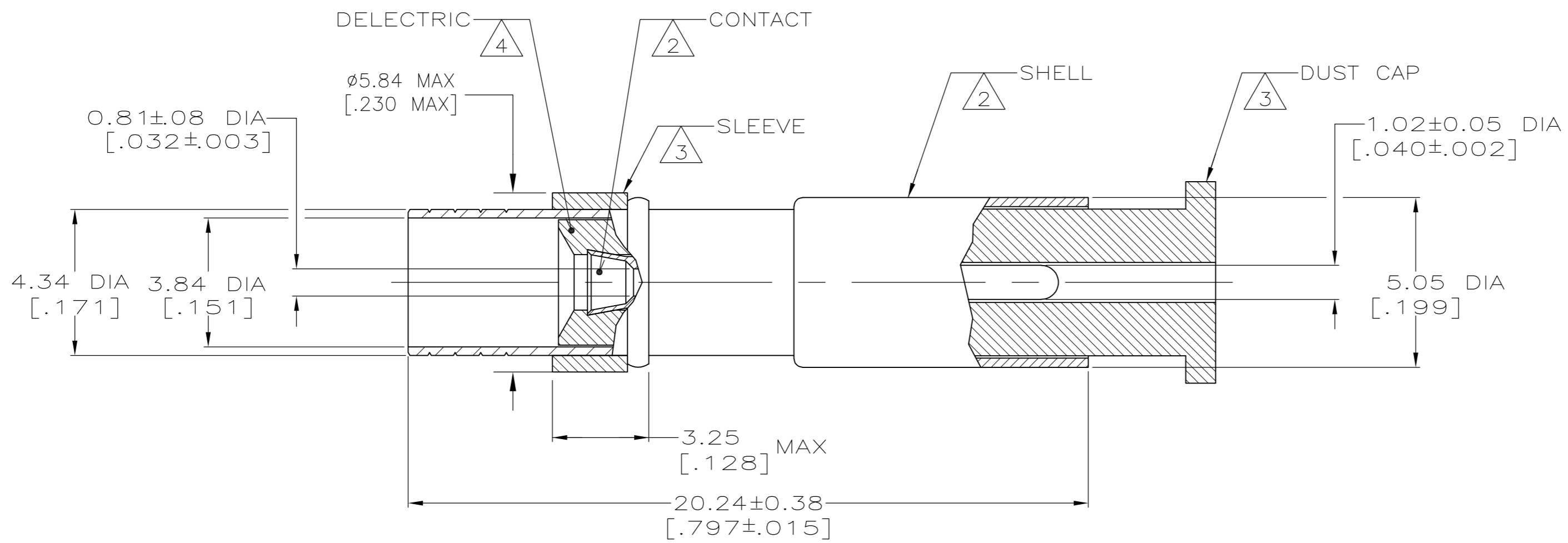


THIS DRAWING IS UNPUBLISHED. RELEASED FOR PUBLICATION
 © COPYRIGHT BY TYCO ELECTRONICS CORPORATION. ALL INTERNATIONAL RIGHTS RESERVED.

LOC	DIST	REVISIONS					
AJ	16	P	LTR	DESCRIPTION	DATE	DWN	APVD
		Z		REVISION PER ECO-09-025921	23NOV2009	KF	KW



- 1. SEE IS 1770
- 2. BRASS PER QQ-B-626
- 3. NYLON PER ASTM-D-4066, NATURAL
- 4. POLYMETHYLPENTENE GENERAL PURPOSE, NATURAL
- 5. .00076[.000030] MINIMUM GOLD PER MIL-G-45204
- 6. .00254[.000100] MINIMUM GOLD PER MIL-G-45204
- 7. WEIGHT = .002120 LB, 201098-1 ONLY

OBSOLETE	6	6	201098-3
	5	5	201098-1
	CONTACT FINISH	SHELL FINISH	PART NUMBER

THIS DRAWING IS A CONTROLLED DOCUMENT.		DWN	J.KURTZ	1-2-90	Tyco Electronics Corporation Harrisburg, PA 17105-3608		
DIMENSIONS: INCHES		CHK	M.SNEED	2-27-90			
TOLERANCES UNLESS OTHERWISE SPECIFIED:		APVD	B. ADAMS	2-28-90			
0 PLC ± - 1 PLC ± - 2 PLC ± - 3 PLC ± .008 4 PLC ± - ANGLES ± - FINISH		PRODUCT SPEC	-				
MATERIAL		APPLICATION SPEC	-		NAME	CONTACT ASSY, SOCKET, MINIATURE	
1 2 3 4 5 6		WEIGHT	7		SIZE	CAGE CODE	DRAWING NO
CUSTOMER DRAWING		SCALE 8:1		SHEET 1 of 1	RESTRICTED TO	-	