

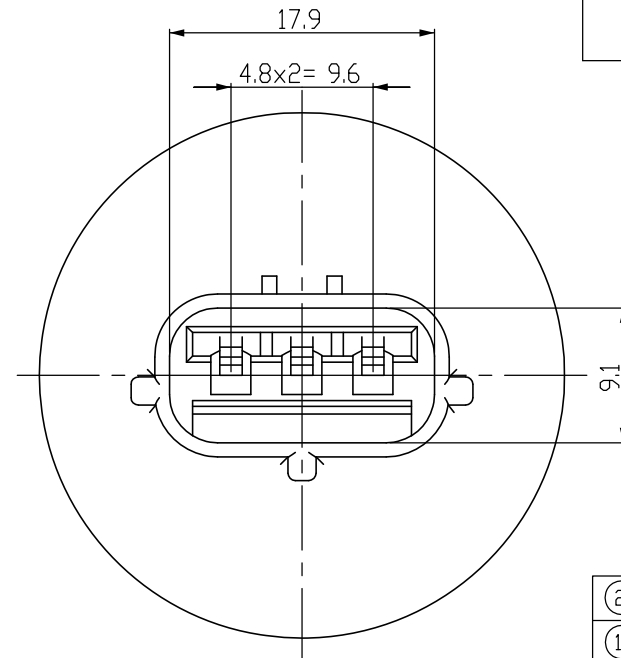
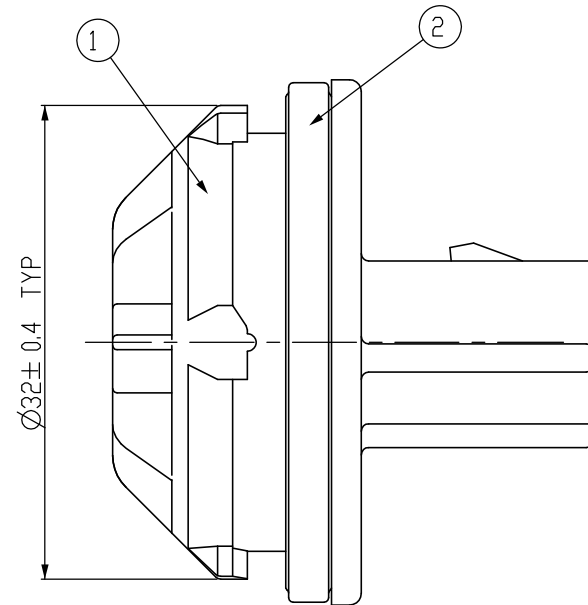
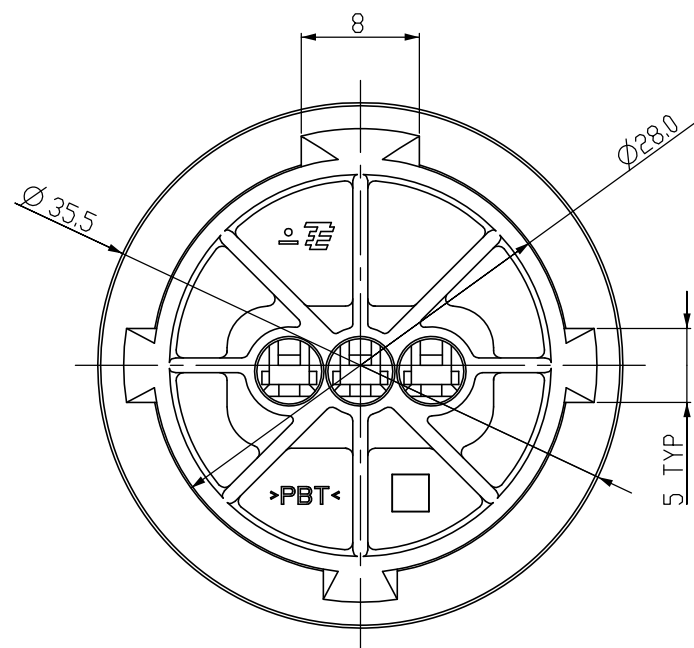
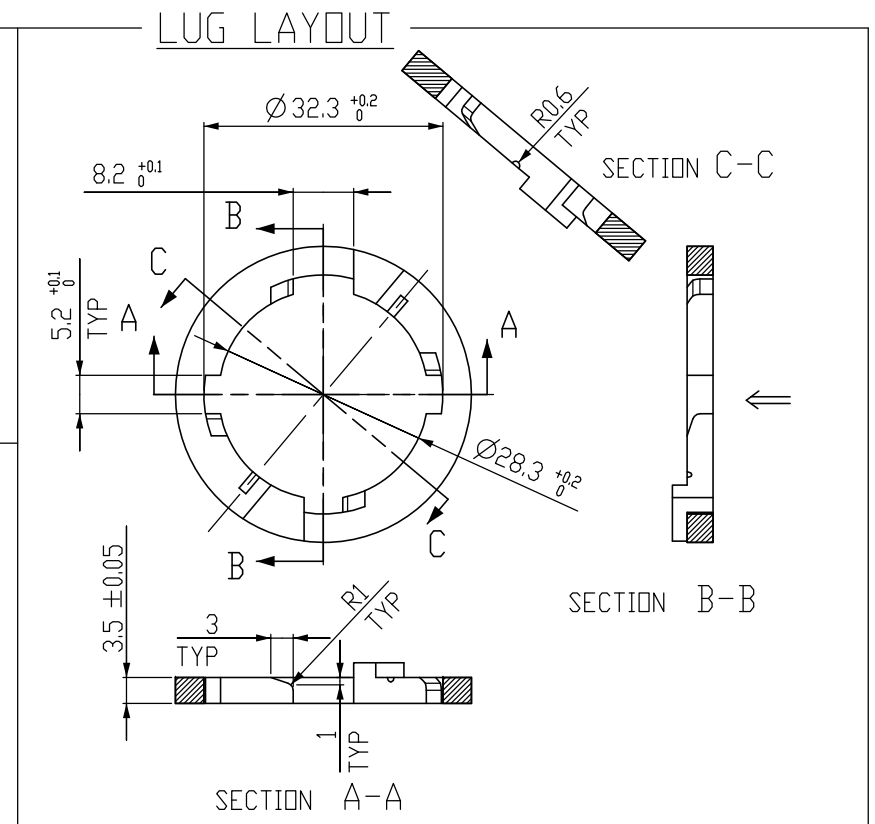
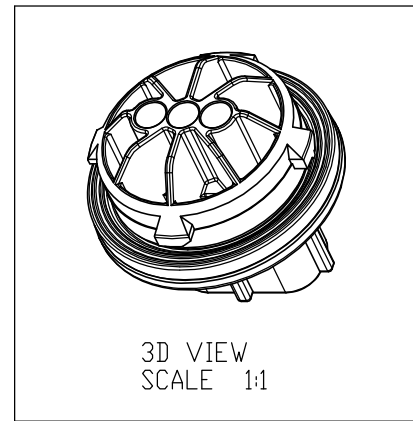
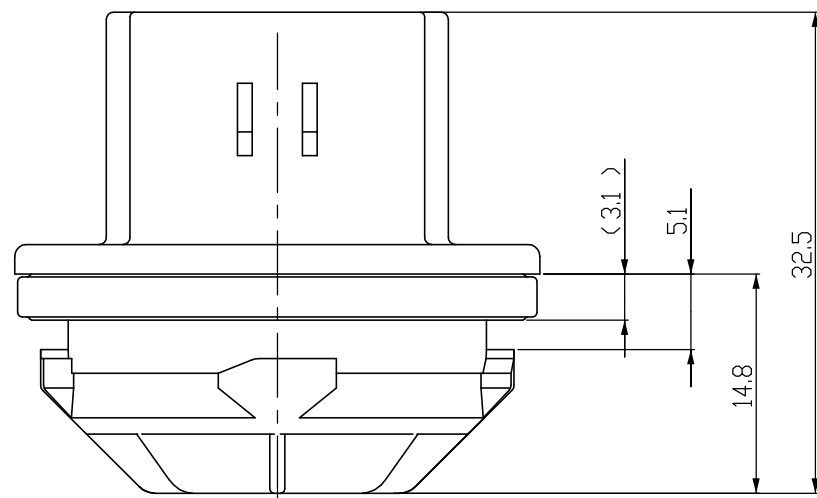
THIS DRAWING IS UNPUBLISHED.

RELEASED FOR PUBLICATION

20

© COPYRIGHT 20 BY TYCO ELECTRONICS CORPORATION. ALL INTERNATIONAL RIGHTS RESERVED.

LOC	DIST	REVISIONS			
P	LTR	DESCRIPTION	DATE	DWN	APVD
DS	-				
	A	RELEASED	09.APR.'10	IS	HG



NOTE

1. GENERAL TOLERANCE : ±0.3 , ±3°
  2. APPLIED PLUG ASSEMBLY P/N: 368523
  3. THIS PART MUST BE USED WITH DOUBLE LOCK PLATE(P/N:174360)
- ▲ APPLICABLE CONTACT: SEE TABLE 1

NO	COLOR/FINISH	MATERIAL	DESCRIPTION	QTY	ASSY P/N
②	GRAY	SILICONE	ORING	1	2005489-3
①	GRAY	PBT	CAP HSG	1	2005489-2
①	BLACK	PBT	CAP HSG	-	1

TABLE 1

PART NO	WIRE RANGE(mm <sup>2</sup> )	DIAMETER OF INSULATION( Ø)	SINGLE WIRE SEAL	CAVITY PLUG
171631	0.2~0.5	1.4~2.4	368889( Ø 1.2~1.7) 368280( Ø 1.7~2.4)	172748
171661	0.5~1.25	2.0~2.6	368120( Ø 1.8~2.6)	

THIS DRAWING IS A CONTROLLED DOCUMENT FOR TYCO ELECTRONICS CORPORATION IT IS SUBJECT TO CHANGE AND THE CONTROLLING ENGINEERING ORGANIZATION SHOULD BE CONTACTED FOR THE LATEST REVISION.

DIMENSIONS:	TOLERANCES UNLESS OTHERWISE SPECIFIED:
mm	
	0 PLC ±
	1 PLC ±0.5
	2 PLC ±0.13
	3 PLC ±0.013
	4 PLC ±0.0001
	ANGLES ±
MATERIAL	FINISH
-	-

DWN	IS WOO	Tyco Electronics	
CHK	KT LIM	kyungsan, korea	
APVD	HG CHO	NAME	
PRODUCT SPEC	-	EJ 3P CAP ASSY LAMP TYPE	
APPLICATION SPEC	-	SIZE	RESTRICTED TO
WEIGHT	-	A3	-
CUSTOMER DRAWING	SCALE 2:1	CAGE CODE 00779	DRAWING NO C=2005489
	SHEET 1 OF 1		REV A