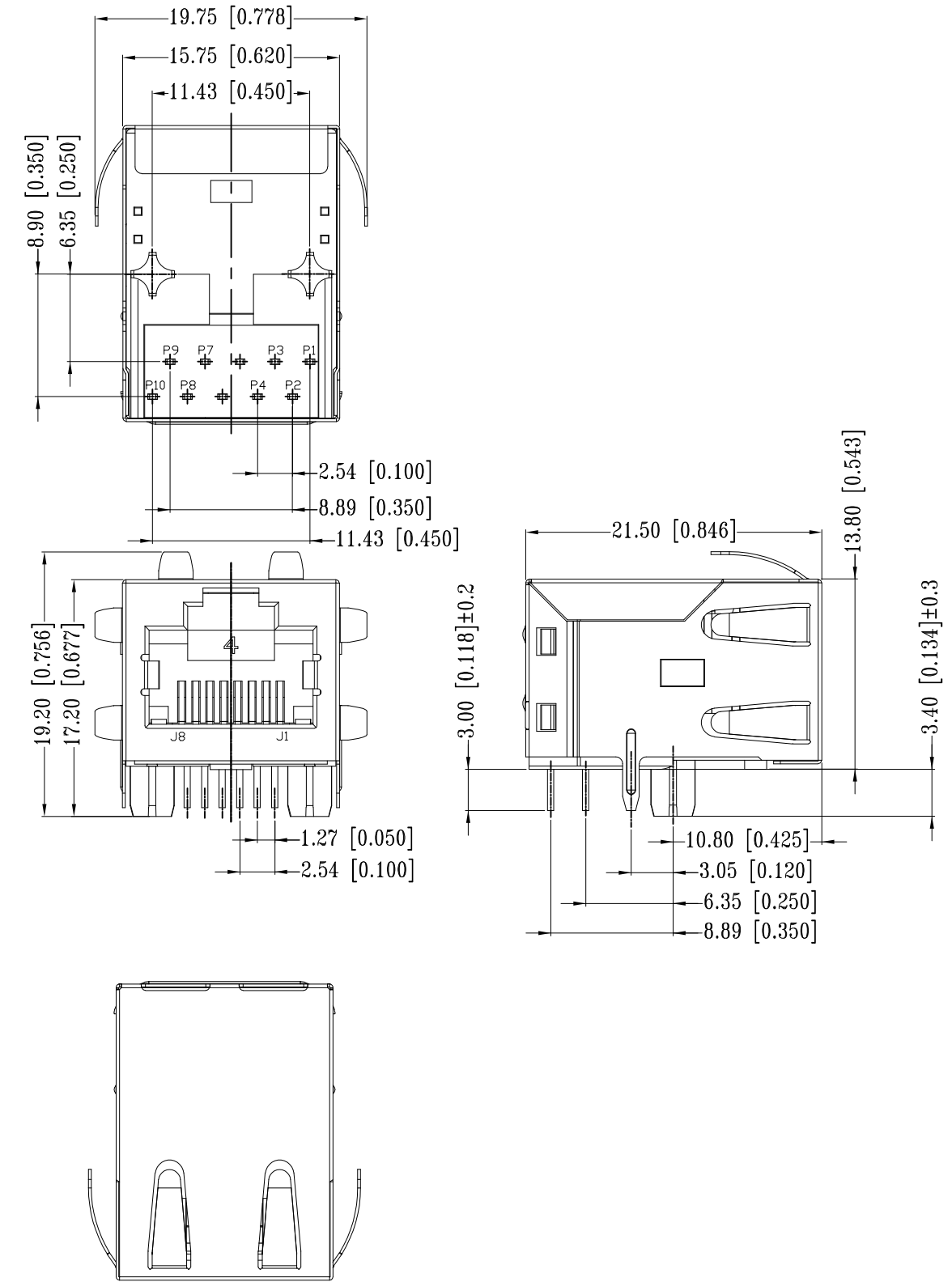
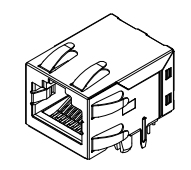


| REVISIONS | | | | |
|-----------|-----|-------------|-----------|---------|
| P | LTR | DESCRIPTION | DATE | APVD |
| | A1 | New Release | 05JUL2017 | GCM/MSZ |



- △ CONNECTOR MATERIAL:
 HOUSING: LCP BLACK UL94 V-0
 INSERT: LCP BLACK UL94 V-0
 SHIELD: BRASS
 SHIELD PLATING: NICKEL
 CONTACT: COPPER ALLOY
 CONTACT PLATING: SELECTIVE GOLD, MIN. 0.76µm (30µinch) IN CONTACT AREA
 OVER MIN. 1.27µm (50µinch) NICKEL
 SOLDER PIN PLATING: 3.05µm (120µinch) TIN OVER 1.02µm (40µinch) NICKEL
 OVER ALL
 SHIELDING PIN PLATING: NICKEL
- 2 PIN NOT ELECTRICALLY CONNECTED MAYBE OMITTED SEE ELECTRICAL CIRCUIT DIAGRAM FOR OMITTED PINS
- 3 RJ45 CAVITIES CONFORM TO FCC RULES AND REGULATION PART 68
- 4 THE PART IS RECOMMENDED FOR REFLOW SOLDERING PROCESS PEAK SOLDERING: TEMPERATURE MAX. +260° C, MAX. 10s
- 5 OPERATING TEMPERATURE: T= -40° C TO +85° C
- 6 STORAGE TEMPERATURE: T= -40° C TO +85° C
- △ UNLESS OTHERWISE SPECIFIED, SEE TABLE FOR ALL DIMENSIONS TOLERANCES
- 8 JACK CONFIGURATION: 1 x 1
 TAB DIRECTION: UP
- 9 PACKAGING: REEL (T+R) ACCORDING TO PACKAGING SPECIFICATION 107-18116



1:1

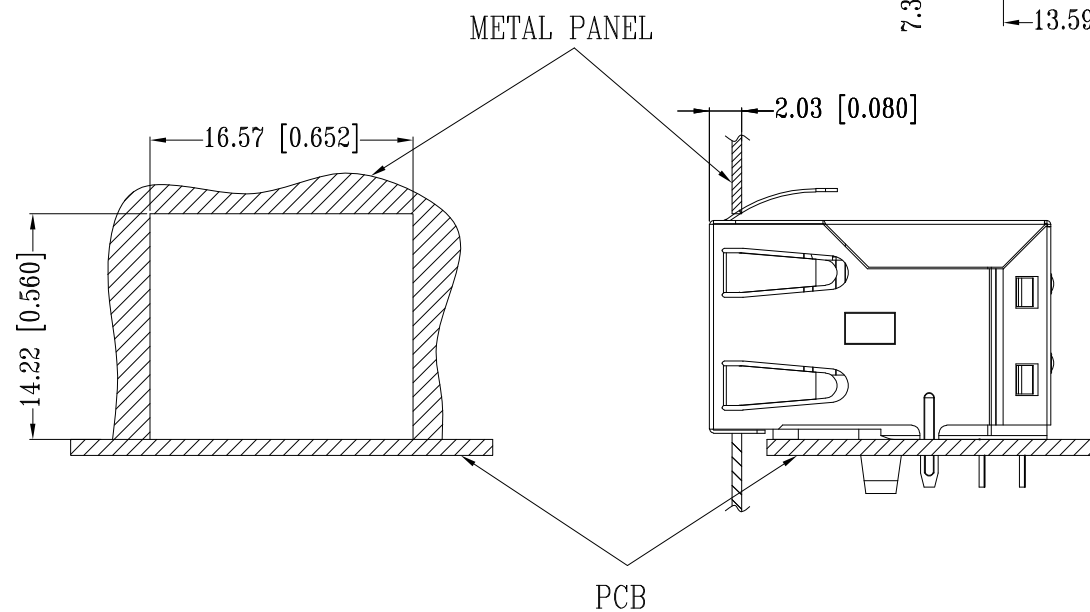
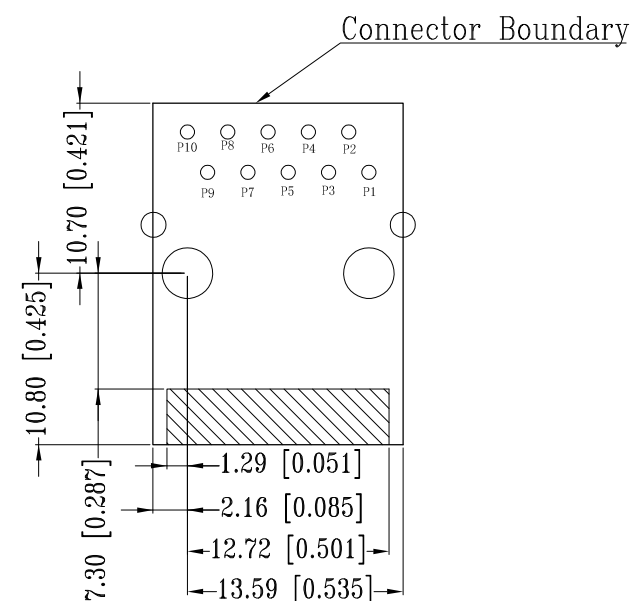
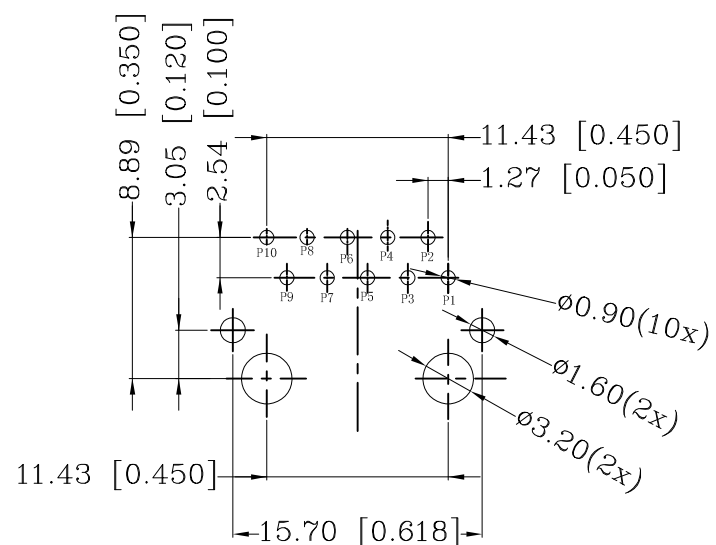
| TABLE OF TOLERANCE (mm) | |
|-------------------------|-----------|
| RANGE | TOLERANCE |
| 0-10 | ±0.15 |
| >10-40 | ±0.25 |
| >40-70 | ±0.30 |
| >70 | ±0.40 |

| | | | | | | | | | | | | | | | | | | |
|---|-----|---------------------------------|--|--------------------|-----------------------------|-----|-------|-----|-------|-----|-------|-----|--------|-----|--|---------------------------|------------|--|
| THIS DRAWING IS A CONTROLLED DOCUMENT. | | DWN 27AUG2016 GANESH C M | TE Connectivity | | | | | | | | | | | | | | | |
| DIMENSIONS: mm [INCHES] | | CHK 27AUG2016 FRANZ MUELLER | | | | | | | | | | | | | | | | |
| TOLERANCES UNLESS OTHERWISE SPECIFIED: | | APVD 27AUG2016 MARTIN SZELAG | NAME RJ45 JACK INT.MAG. 1Gb 1x1 INV | | | | | | | | | | | | | | | |
| <table border="0"> <tr> <td>0 PLC</td> <td>± -</td> <td rowspan="5">△ 7</td> </tr> <tr> <td>1 PLC</td> <td>± -</td> </tr> <tr> <td>2 PLC</td> <td>± -</td> </tr> <tr> <td>3 PLC</td> <td>± -</td> </tr> <tr> <td>4 PLC</td> <td>± -</td> </tr> <tr> <td>ANGLES</td> <td>± -</td> <td></td> </tr> </table> | | 0 PLC | ± - | △ 7 | 1 PLC | ± - | 2 PLC | ± - | 3 PLC | ± - | 4 PLC | ± - | ANGLES | ± - | | PRODUCT SPEC 108-94552 | SIZE A3 | |
| 0 PLC | ± - | △ 7 | | | | | | | | | | | | | | | | |
| 1 PLC | ± - | | | | | | | | | | | | | | | | | |
| 2 PLC | ± - | | | | | | | | | | | | | | | | | |
| 3 PLC | ± - | | | | | | | | | | | | | | | | | |
| 4 PLC | ± - | | | | | | | | | | | | | | | | | |
| ANGLES | ± - | | | | | | | | | | | | | | | | | |
| MATERIAL △ 1 | | FINISH △ 1 | APPLICATION SPEC 114-94447 | CAGE CODE 00779 | DRAWING NO C-2-2301994-0 | | | | | | | | | | | | | |
| CUSTOMER DRAWING | | | WEIGHT | RESTRICTED TO - | | | | | | | | | | | | | | |
| | | | SCALE 3:1 | SHEET 1 OF 3 | REV A1 | | | | | | | | | | | | | |


REVISIONS

| P | LTR | DESCRIPTION | DATE | DWN | APVD |
|---|-----|-------------|------|-----|------|
| - | - | SEE SHEET 1 | - | - | - |

SUGGESTED PCB LAYOUT



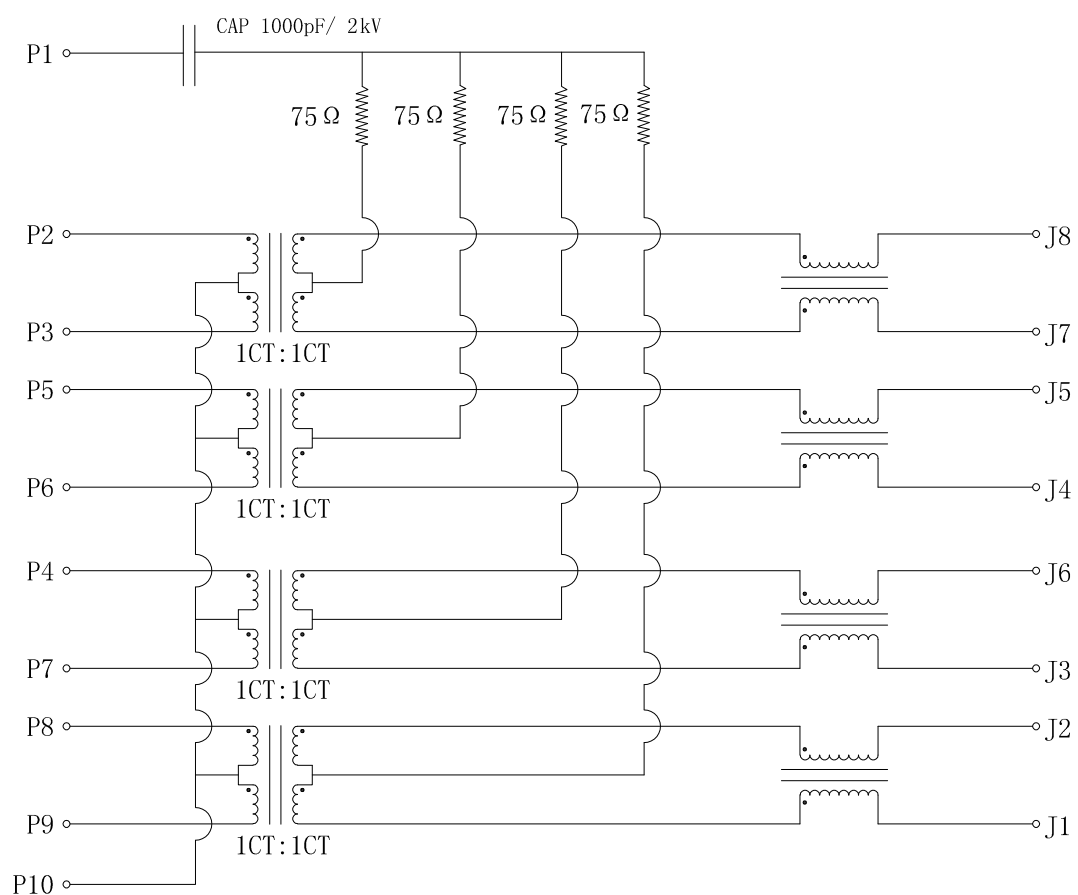
UNIT: mm / inch
TOLERANCES: ±0.10 / 0.004

| | | | | | |
|---|--|------------------------------------|---|-----------------------------|--------------------|
| THIS DRAWING IS A CONTROLLED DOCUMENT. | | DWN GANESH C M 27AUG2016 |  TE Connectivity | | |
| DIMENSIONS: mm [INCHES] | | CHK FRANZ MUELLER 27AUG2016 | | | |
| TOLERANCES UNLESS OTHERWISE SPECIFIED: | | APVD MARTIN SZELAG 27AUG2016 | NAME RJ45 JACK INT.MAG. 1Gb 1x1 INV | | |
| 0 PLC ± - 1 PLC ± - 2 PLC ± - 3 PLC ± - 4 PLC ± - ANGLES ± - | | PRODUCT SPEC 108-94552 | RESTRICTED TO - | | |
| MATERIAL 1 | | FINISH 1 | APPLICATION SPEC 114-94447 | SIZE A3 | CAGE CODE 00779 |
| | | | WEIGHT | DRAWING NO C-2-2301994-0 | RESTRICTED TO - |
| CUSTOMER DRAWING | | | SCALE 3:1 | SHEET 2 OF 3 | REV A1 |

REVISIONS

| P | LTR | DESCRIPTION | DATE | DWN | APVD |
|---|-----|-------------|------|-----|------|
| - | - | SEE SHEET 1 | - | - | - |

ELECTRICAL CIRCUIT DIAGRAM



- 1.0 Turn Ratio @100kHz: (P9~P8):(J1~J2) = 1:1±2%
(P7~P4):(J3~J6) = 1:1±2%
(P6~P5):(J4~J5) = 1:1±2%
(P3~P2):(J7~J8) = 1:1±2%
- 2.0 Primary Inductance: 350µH MIN. @100kHz, 0.1V 8mA DC BIAS
- 3.0 DC Resistance: 1.2 OHM MAX.
- 4.0 Insertion Loss: 1-100MHz -1.0dB MAX.
100-125MHz -1.2dB MAX.
- 5.0 Return Loss: 1-40MHz -16dB MIN.
40-60MHz -12dB MIN.
60-80MHz -10dB MIN.
80-100MHz -8dB MIN.
- 6.0 CROSS TALK: 1-100MHz -30dB MIN.
- 7.0 COMMON TO COMMON MODE ATTENUATION: 1-100MHz -30dB MIN.
- 8.0 Isolation: PHY Side to Line Side: 2250VDC

2-2301994-0
WWYY-xxxx

TE

FCC

CONTROL CODE
DATE CODE
"0213"

YY-YEAR
WW-WEEK

| | | | | | |
|---|--|------------------------------------|--|--------------------|-----------------------------|
| THIS DRAWING IS A CONTROLLED DOCUMENT. | | DWN GANESH C M 27AUG2016 | TE TE Connectivity | | |
| DIMENSIONS: mm [INCHES] | | CHK FRANZ MUELLER 27AUG2016 | | | |
| TOLERANCES UNLESS OTHERWISE SPECIFIED: | | APVD MARTIN SZELAG 27AUG2016 | NAME RJ45 JACK INT.MAG. 1Gb 1x1 INV | | |
| 0 PLC ± - 1 PLC ± - 2 PLC ± - 3 PLC ± - 4 PLC ± - ANGLES ± - | | PRODUCT SPEC 108-94552 | - | | |
| MATERIAL | | APPLICATION SPEC 114-94447 | SIZE A3 | CAGE CODE 00779 | DRAWING NO C-2-2301994-0 |
| FINISH | | WEIGHT | RESTRICTED TO | | - |
| CUSTOMER DRAWING | | SCALE 3:1 | SHEET 3 OF 3 | REV A1 | |