

| REVISIONS |     |                           |           |     |      |
|-----------|-----|---------------------------|-----------|-----|------|
| P         | LTR | DESCRIPTION               | DATE      | DMN | APVD |
| B         |     | REVISED PER ECO-08-023819 | 25SEP08   | HMR | MS   |
| C         |     | REVISED PER ECO-17-001607 | 16MAY2017 | RK  | PO   |

SPECIFICATIONS

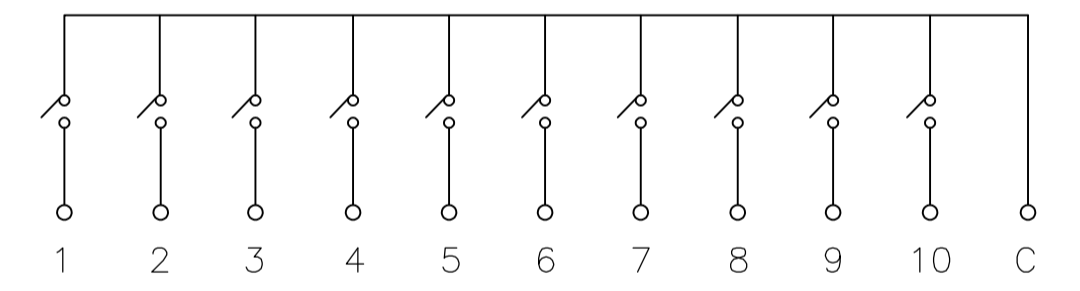
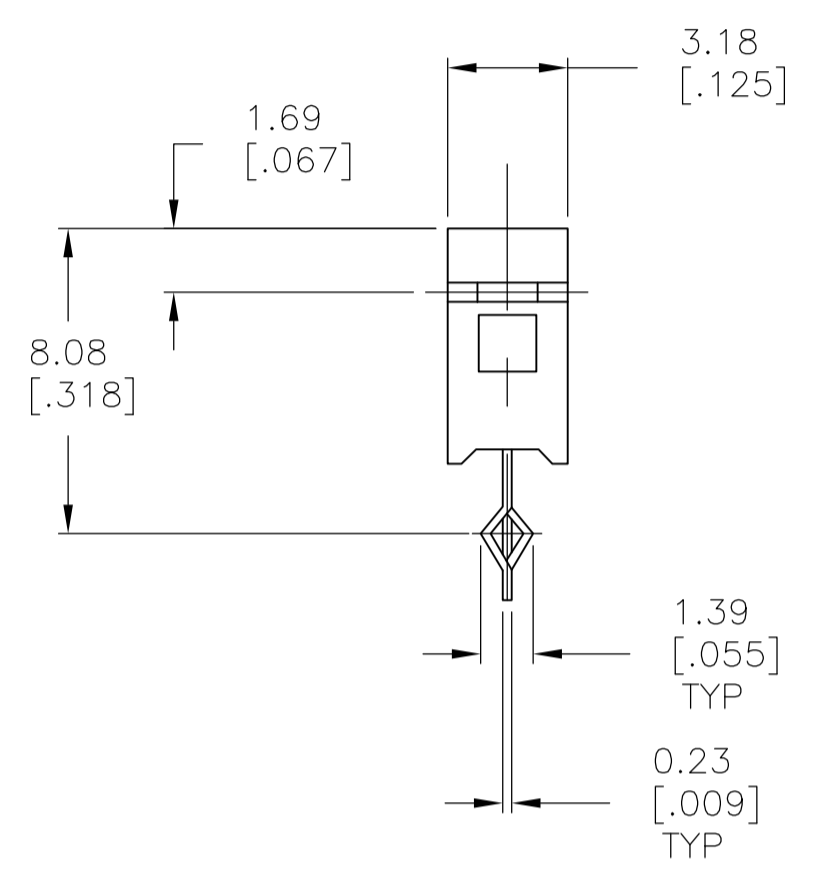
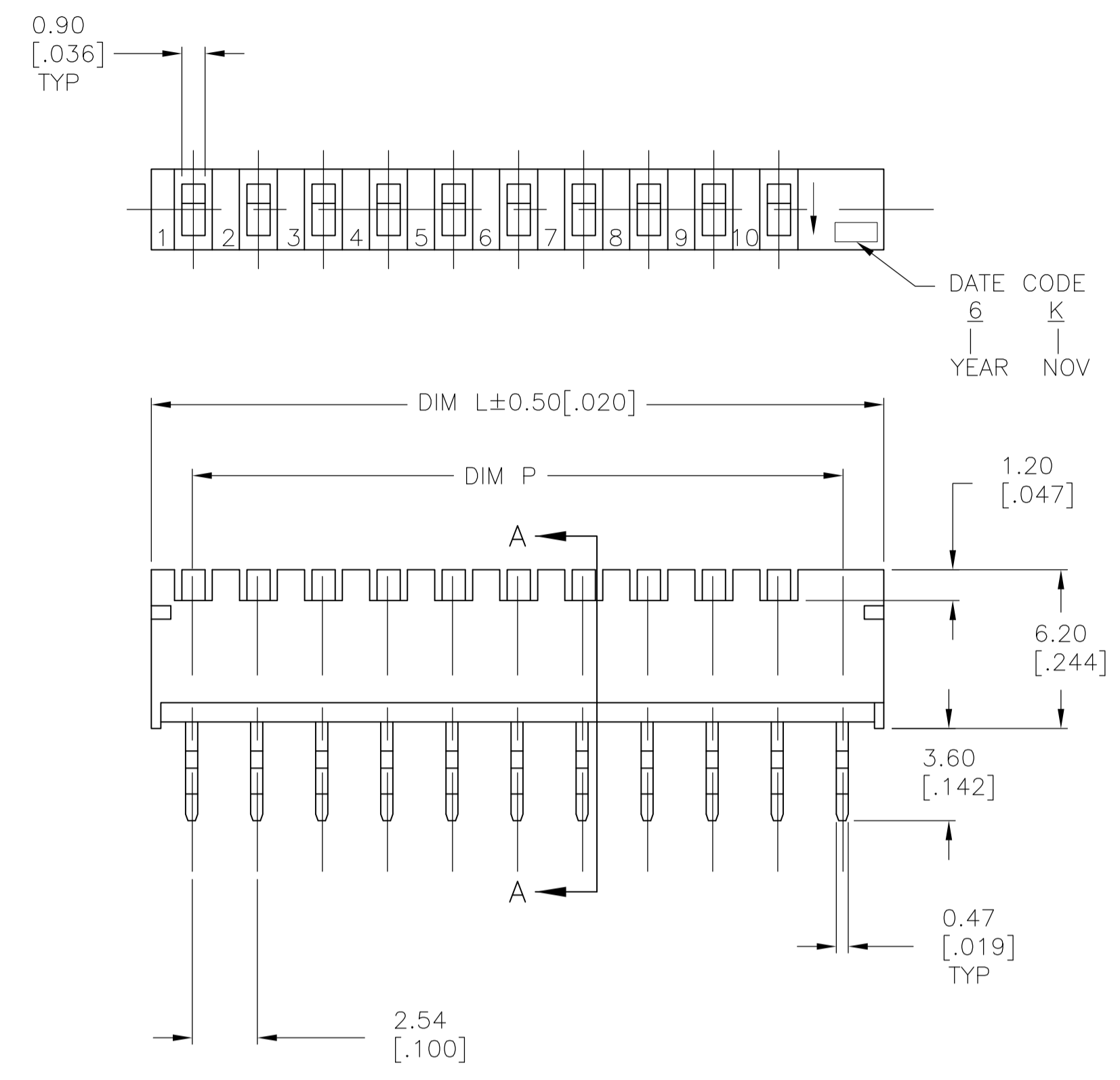
**MATERIALS:**  
CASE, PPS UL94V-0, BLACK  
COVER, PBT UL94V-0, BLACK  
ACTUATOR, 46 NYLON UL94V-0, WHITE  
TERMINAL/FIXED CONTACT-COPPER ALLOY- GOLD OVER NICKEL PLATE  
MOVING CONTACT-COPPER ALLOY- GOLD FLASH OVER NICKEL PLATE

**ELECTRICAL:**  
RATING- 1a max non-switching  
0.1µA (1mV) min switching  
DC 5V 10mA  
INITIAL CONTACT RESISTANCE- 50milliohm max. (300 milliohms after test)  
INSULATION RESISTANCE- 100Megohms min. at 100V DC  
DIELECTRIC STRENGTH- 300V RMS@SEA LEVEL  
LIFE EXPECTANCY- 1,000 CYCLES

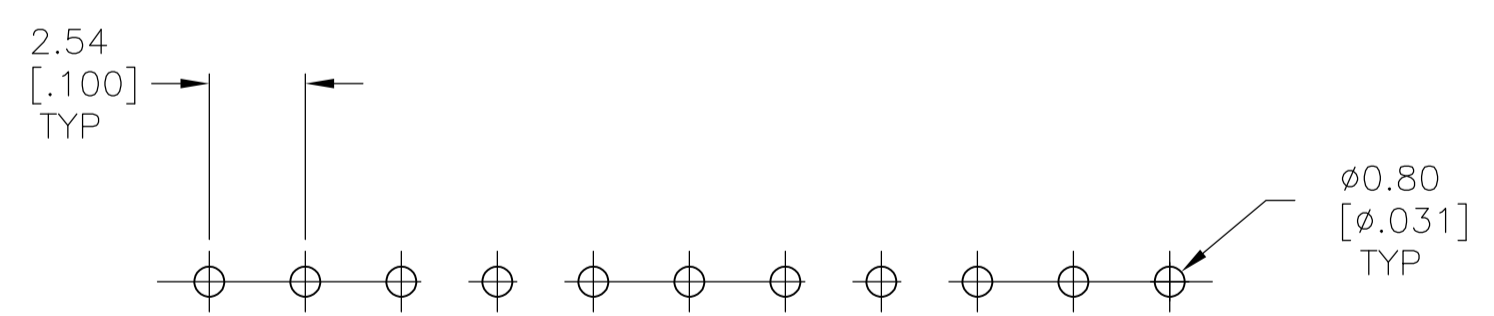
**MECHANICAL:**  
ACTUATION FORCE- 2.45 +/-1.47N (245 +/-147 GF)  
TRAVEL- 33°

**ENVIRONMENTAL:**  
OPERATING TEMPERATURE- -30 TO +85 DEGREES C  
STORAGE TEMPERATURE- -45 TO +100 DEGREES C  
RESISTANCE TO SOLDER HEAT- 265 +/-3°C for 8 +/-2 seconds  
SOLDERABILITY PER JIS-C-0050 & JIS-C-0053

- 1 ALL MATERIALS AND FINISHES SHALL COMPLY WITH EU DIRECTIVE 2002/95/EC OF 27JAN2003 (ROHS)
- 2 SWITCH SUPPLIED IN THE "OFF" POSITION AND SHOULD BE SOLDERED IN THE "OFF" POSITION.



CIRCUIT DIAGRAM



P.C. LAYOUT

| OBsolete | Terminals        | Dim P (mm)    | Dim L (mm)    | Part No. | Part Number |
|----------|------------------|---------------|---------------|----------|-------------|
|          | 1, 2, 10 & C     | 25.40 (1.000) | 28.60 (1.126) | STV10    | 1977104-5   |
|          | 1, 2, 8, & C     | 20.32 (.800)  | 23.52 (.926)  | STV08    | 1977104-4   |
|          | 1, 2, 6 & C      | 15.24 (.600)  | 18.44 (.726)  | STV06    | 1977104-3   |
|          | ALL              | 10.16 (.400)  | 13.36 (.526)  | STV04    | 1977104-2   |
|          | ALL              | 5.08 (.200)   | 8.28 (.326)   | STV02    | 1977104-1   |
|          | KINKED TERMINALS | DIM P         | DIM L         | T&B P/N  | PART NUMBER |

THIS DRAWING IS A CONTROLLED DOCUMENT. DIN M. BINNER 16MAY07  
CHK: M. S. SARVER  
APVD: M. S. SARVER

TE Connectivity

PRODUCT SPEC: SIP SWITCH (STV02 - 10 SERIES)

APPLICATION SPEC: -

SIZE: A1 CASE CODE: 00779 DRAWING NO: 1977104 RESTRICTED TO: -

MATERIAL: SEE SPECIFICATIONS FINISH: - WEIGHT: -

CUSTOMER DRAWING SCALE: 5:1 SHEET: 1 OF 1 REV: C