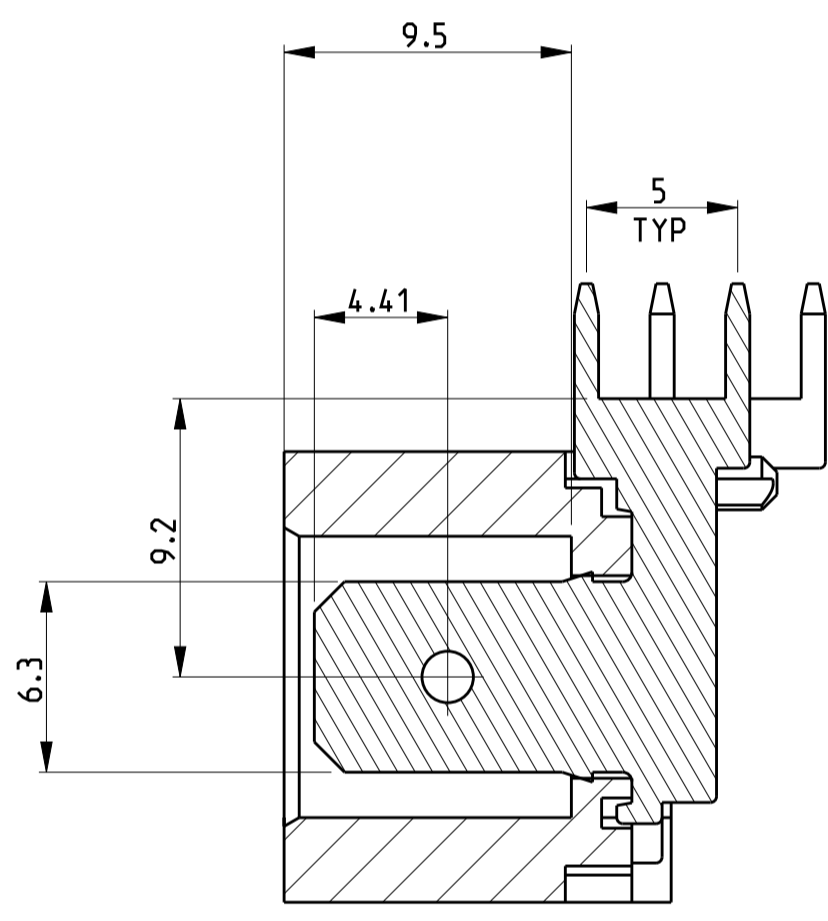
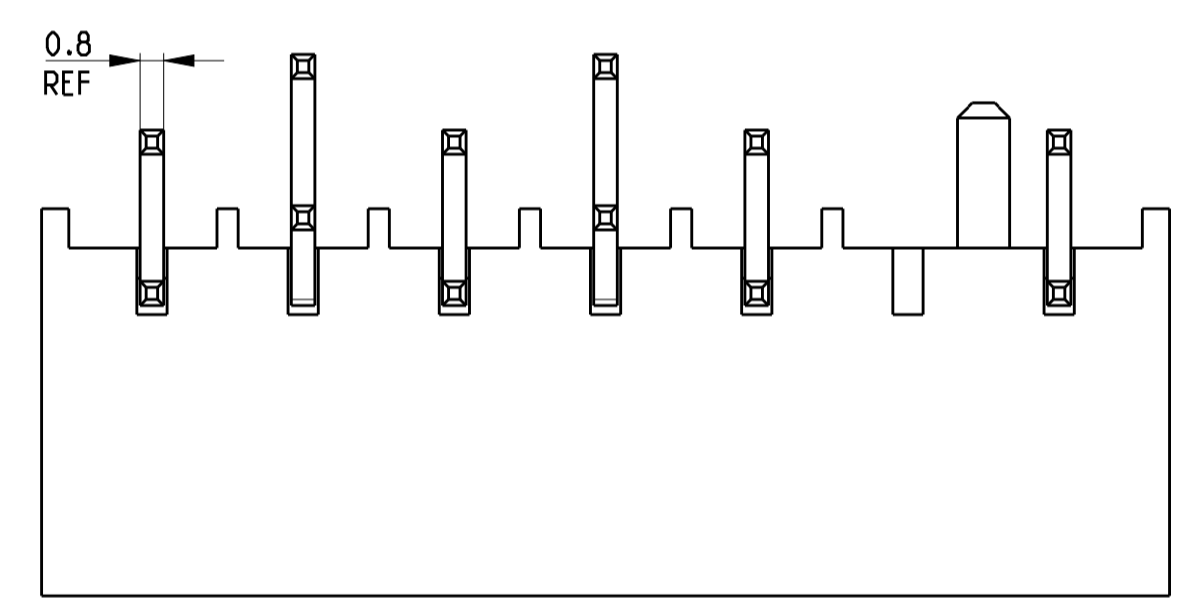
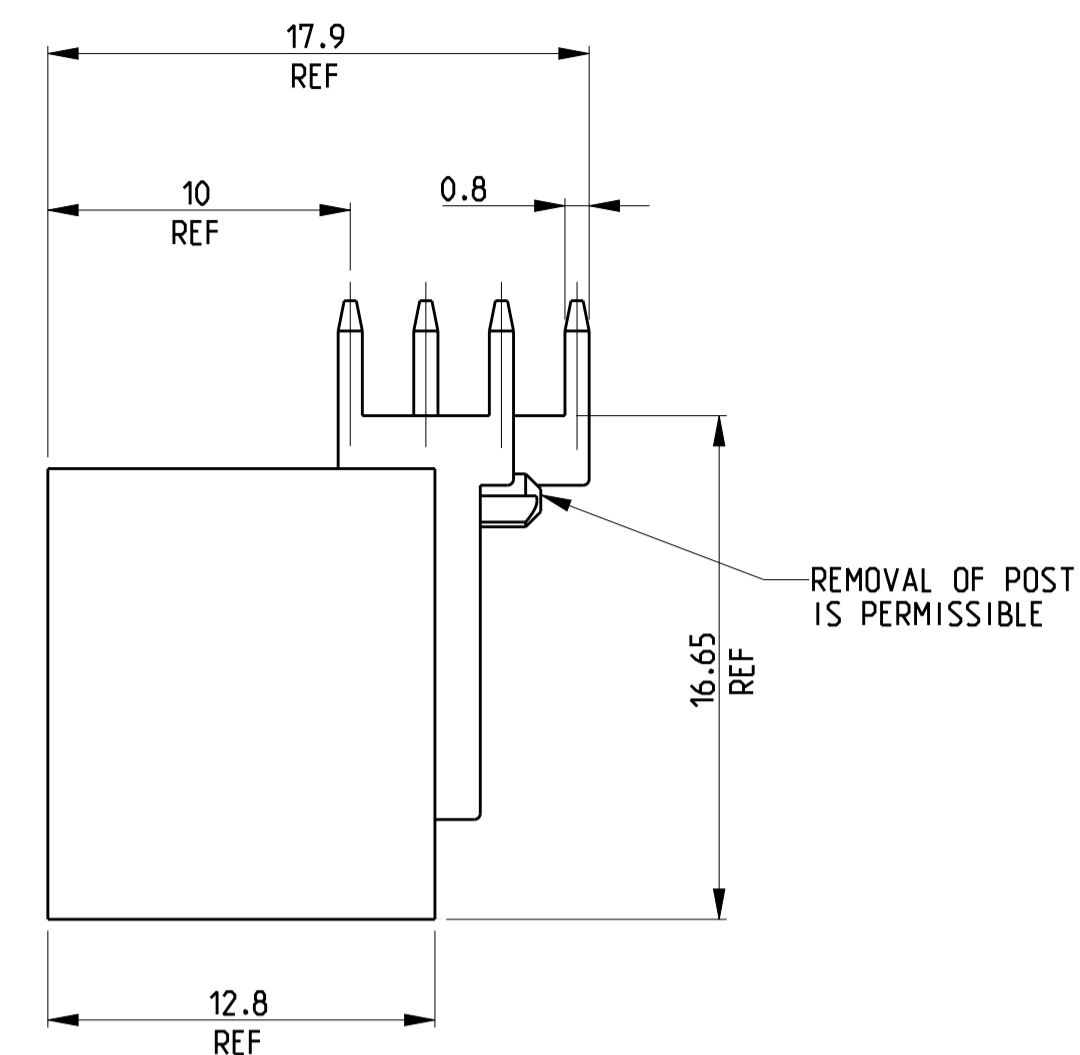
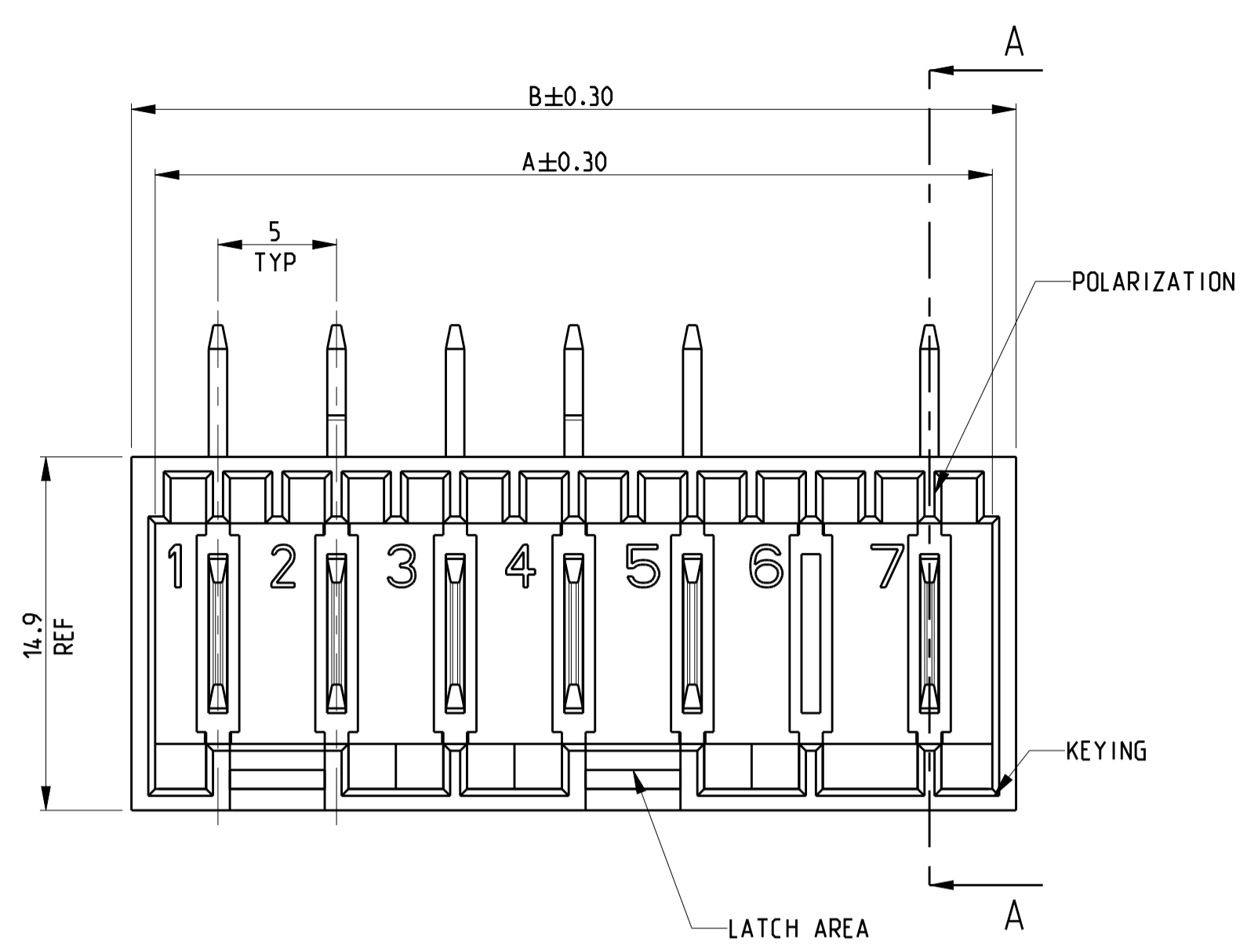
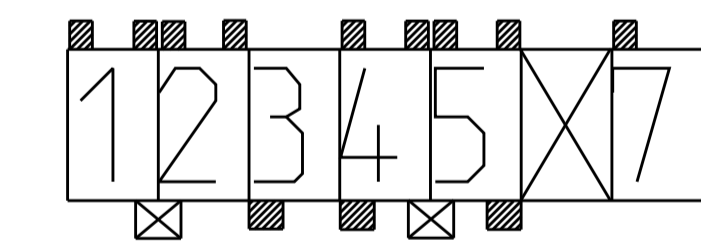
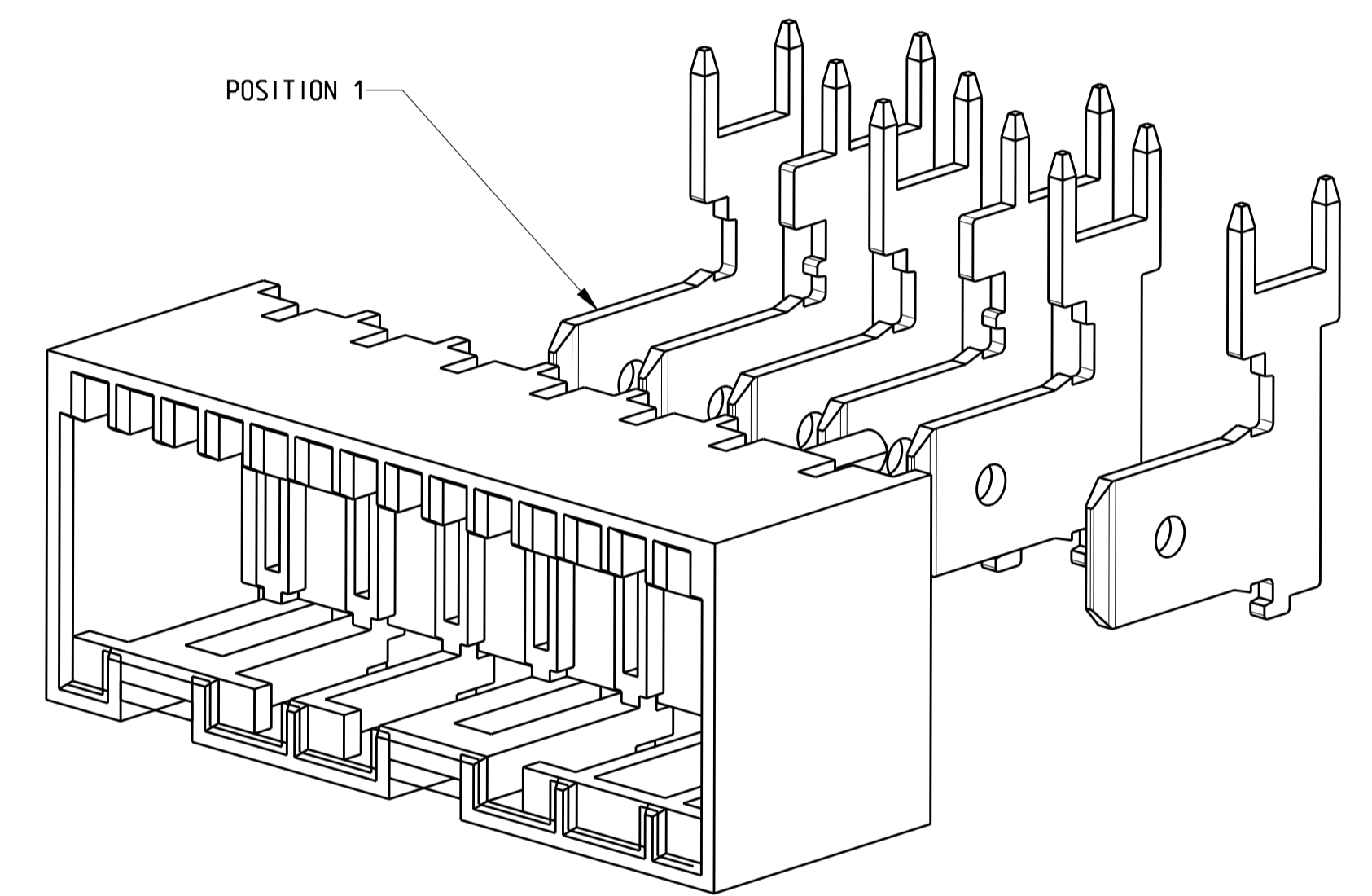


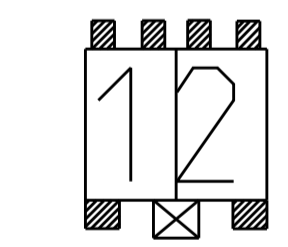
LOC	DIST	REVISIONS			
P	LTR	DESCRIPTION	DATE	DWN	APVD
A1		Released with ECR-12-020949	05DEC2012	C.J	R.P
A2		ECO-16-006939	06MAY2016	SS	RR
A3		ECR-16-012393	30AUG2016	KD	RR
A4		ECR-17-007218	14JUN2017	KD	RR



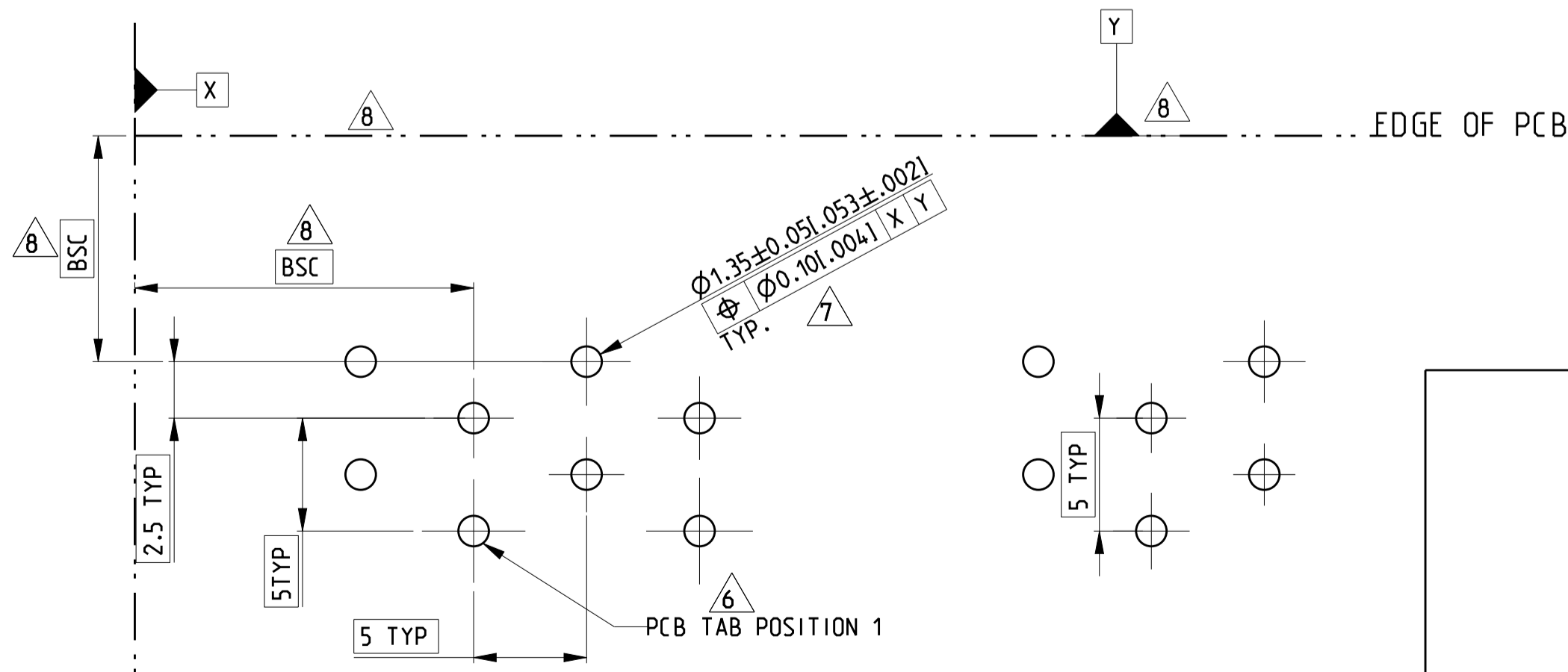
SECTION A-A



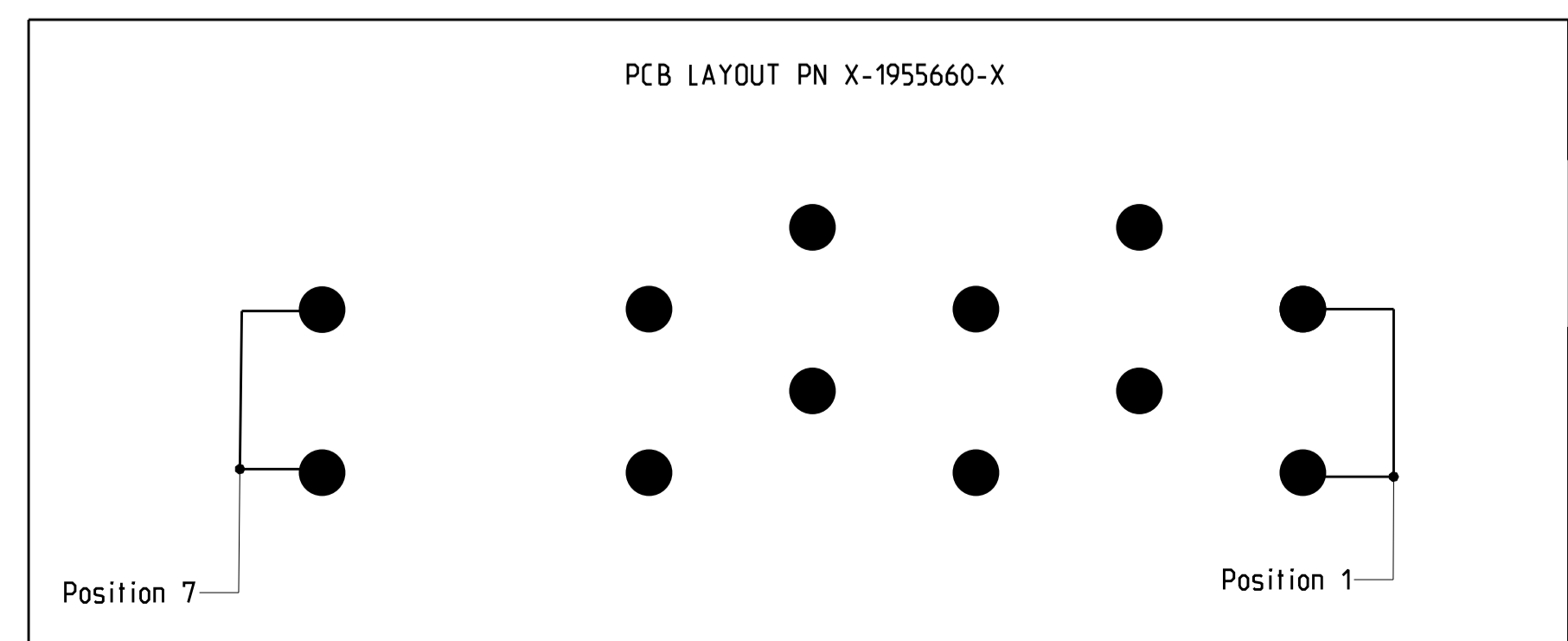
1955660-7



1955660-2



PCB LAYOUT - COMPONENT SIDE  
 PCB 1.5±0.14 [0.059±0.006] THICK  
 SCALE 4:1



DIMENSIONS:		TOLERANCES UNLESS OTHERWISE SPECIFIED:		MATERIAL:		FINISH:	
0 PLC	±0.251(010)	0	±0.251(010)	1	±0.251(010)	1	±0.251(010)
1 PLC	±0.251(010)	2	±0.251(010)	2	±0.251(010)	2	±0.251(010)
3 PLC	±0.251(010)	3	±0.251(010)	3	±0.251(010)	3	±0.251(010)
4 PLC	±0.251(010)	4	±0.251(010)	4	±0.251(010)	4	±0.251(010)
5 PLC	±0.251(010)	5	±0.251(010)	5	±0.251(010)	5	±0.251(010)
6 PLC	±0.251(010)	6	±0.251(010)	6	±0.251(010)	6	±0.251(010)
7 PLC	±0.251(010)	7	±0.251(010)	7	±0.251(010)	7	±0.251(010)
8 PLC	±0.251(010)	8	±0.251(010)	8	±0.251(010)	8	±0.251(010)
9 PLC	±0.251(010)	9	±0.251(010)	9	±0.251(010)	9	±0.251(010)
10 PLC	±0.251(010)	10	±0.251(010)	10	±0.251(010)	10	±0.251(010)
11 PLC	±0.251(010)	11	±0.251(010)	11	±0.251(010)	11	±0.251(010)
12 PLC	±0.251(010)	12	±0.251(010)	12	±0.251(010)	12	±0.251(010)
13 PLC	±0.251(010)	13	±0.251(010)	13	±0.251(010)	13	±0.251(010)
14 PLC	±0.251(010)	14	±0.251(010)	14	±0.251(010)	14	±0.251(010)
15 PLC	±0.251(010)	15	±0.251(010)	15	±0.251(010)	15	±0.251(010)
16 PLC	±0.251(010)	16	±0.251(010)	16	±0.251(010)	16	±0.251(010)
17 PLC	±0.251(010)	17	±0.251(010)	17	±0.251(010)	17	±0.251(010)
18 PLC	±0.251(010)	18	±0.251(010)	18	±0.251(010)	18	±0.251(010)
19 PLC	±0.251(010)	19	±0.251(010)	19	±0.251(010)	19	±0.251(010)
20 PLC	±0.251(010)	20	±0.251(010)	20	±0.251(010)	20	±0.251(010)
21 PLC	±0.251(010)	21	±0.251(010)	21	±0.251(010)	21	±0.251(010)
22 PLC	±0.251(010)	22	±0.251(010)	22	±0.251(010)	22	±0.251(010)
23 PLC	±0.251(010)	23	±0.251(010)	23	±0.251(010)	23	±0.251(010)
24 PLC	±0.251(010)	24	±0.251(010)	24	±0.251(010)	24	±0.251(010)
25 PLC	±0.251(010)	25	±0.251(010)	25	±0.251(010)	25	±0.251(010)
26 PLC	±0.251(010)	26	±0.251(010)	26	±0.251(010)	26	±0.251(010)
27 PLC	±0.251(010)	27	±0.251(010)	27	±0.251(010)	27	±0.251(010)
28 PLC	±0.251(010)	28	±0.251(010)	28	±0.251(010)	28	±0.251(010)
29 PLC	±0.251(010)	29	±0.251(010)	29	±0.251(010)	29	±0.251(010)
30 PLC	±0.251(010)	30	±0.251(010)	30	±0.251(010)	30	±0.251(010)
31 PLC	±0.251(010)	31	±0.251(010)	31	±0.251(010)	31	±0.251(010)
32 PLC	±0.251(010)	32	±0.251(010)	32	±0.251(010)	32	±0.251(010)
33 PLC	±0.251(010)	33	±0.251(010)	33	±0.251(010)	33	±0.251(010)
34 PLC	±0.251(010)	34	±0.251(010)	34	±0.251(010)	34	±0.251(010)
35 PLC	±0.251(010)	35	±0.251(010)	35	±0.251(010)	35	±0.251(010)
36 PLC	±0.251(010)	36	±0.251(010)	36	±0.251(010)	36	±0.251(010)
37 PLC	±0.251(010)	37	±0.251(010)	37	±0.251(010)	37	±0.251(010)
38 PLC	±0.251(010)	38	±0.251(010)	38	±0.251(010)	38	±0.251(010)
39 PLC	±0.251(010)	39	±0.251(010)	39	±0.251(010)	39	±0.251(010)
40 PLC	±0.251(010)	40	±0.251(010)	40	±0.251(010)	40	±0.251(010)
41 PLC	±0.251(010)	41	±0.251(010)	41	±0.251(010)	41	±0.251(010)
42 PLC	±0.251(010)	42	±0.251(010)	42	±0.251(010)	42	±0.251(010)
43 PLC	±0.251(010)	43	±0.251(010)	43	±0.251(010)	43	±0.251(010)
44 PLC	±0.251(010)	44	±0.251(010)	44	±0.251(010)	44	±0.251(010)
45 PLC	±0.251(010)	45	±0.251(010)	45	±0.251(010)	45	±0.251(010)
46 PLC	±0.251(010)	46	±0.251(010)	46	±0.251(010)	46	±0.251(010)
47 PLC	±0.251(010)	47	±0.251(010)	47	±0.251(010)	47	±0.251(010)
48 PLC	±0.251(010)	48	±0.251(010)	48	±0.251(010)	48	±0.251(010)
49 PLC	±0.251(010)	49	±0.251(010)	49	±0.251(010)	49	±0.251(010)
50 PLC	±0.251(010)	50	±0.251(010)	50	±0.251(010)	50	±0.251(010)

37.3	35.3	7
12.3	10.3	2
B	A	NO. OF POS.

6	1/2, 4/5	3c, 4c, 5d	1a, 1b, 2a, 2b, 4a, 4b, 5a, 5b, 7a	7	--	1955660-7
-	1/2	1c, 2d	1a, 1b, 2a, 2b	2	--	1955660-2
CAVITY WITHOUT CONTACT	LATCH WINDOWS	KEYING	POLAR.	NO. OF POS.	RAST 5 DESIG.	PART NUMBER
THIS DRAWING IS A CONTROLLED DOCUMENT. DWN: C. CHETHAN, J. 06JUN2012 DIMENSIONS: mm [INCHES] TOLERANCES UNLESS OTHERWISE SPECIFIED: 0 PLC ±0.251(010) 1 PLC ±0.251(010) 2 PLC ±0.251(010) 3 PLC ±0.251(010) 4 PLC ±0.251(010) 5 PLC ±0.251(010) 6 PLC ±0.251(010) 7 PLC ±0.251(010) 8 PLC ±0.251(010) 9 PLC ±0.251(010) 10 PLC ±0.251(010) 11 PLC ±0.251(010) 12 PLC ±0.251(010) 13 PLC ±0.251(010) 14 PLC ±0.251(010) 15 PLC ±0.251(010) 16 PLC ±0.251(010) 17 PLC ±0.251(010) 18 PLC ±0.251(010) 19 PLC ±0.251(010) 20 PLC ±0.251(010) 21 PLC ±0.251(010) 22 PLC ±0.251(010) 23 PLC ±0.251(010) 24 PLC ±0.251(010) 25 PLC ±0.251(010) 26 PLC ±0.251(010) 27 PLC ±0.251(010) 28 PLC ±0.251(010) 29 PLC ±0.251(010) 30 PLC ±0.251(010) 31 PLC ±0.251(010) 32 PLC ±0.251(010) 33 PLC ±0.251(010) 34 PLC ±0.251(010) 35 PLC ±0.251(010) 36 PLC ±0.251(010) 37 PLC ±0.251(010) 38 PLC ±0.251(010) 39 PLC ±0.251(010) 40 PLC ±0.251(010) 41 PLC ±0.251(010) 42 PLC ±0.251(010) 43 PLC ±0.251(010) 44 PLC ±0.251(010) 45 PLC ±0.251(010) 46 PLC ±0.251(010) 47 PLC ±0.251(010) 48 PLC ±0.251(010) 49 PLC ±0.251(010) 50 PLC ±0.251(010)						
MATEL: HOUSING, PA6 NYLON, UL 94V-2. CONTACT, BRASS, 0.8 mm THICK. FINISH: CONTACTS, 3.8 μm MIN TIN OVER 1.3 μm MIN NICKEL BEFORE INSERT HOUSING SELECTIVE CONTACT LOADING SELECTED HOLES MAY BE 1.05+0.05/-0.00 DIA [1.041+.002/-0.001 DIA] FOR IMPROVED (PRESS-FIT) RETENTION TO P.C.B. PRIOR TO SOLDERING. DATUM AND BASIC DIMENSION ESTABLISHED BY CUSTOMER PRODUCT QUALIFICATION PER 108-2183 GWT (GLOW WIRE TEST) 750°C WITHOUT FLAME NOTE TO CUSTOMER TESTING PENDING. THE SHROUD USED ON THESE ASSEMBLIES PASSED THIS REQUIREMENT ON P/N 521971. VDE REG - NR 6718 PRELIMINARY - NOT FOR PRODUCTION						
NAME: ASSEMBLY, DIN, RAST 5 HEADER, RIGHT ANGLE, GW T SIZE: A1 CAGE CODE: 00779 DRAWING NO: 1955660 WEIGHT: - RESTRICTED TO: - SCALE: 4:1 SHEET 1 OF 1 REV: A4						