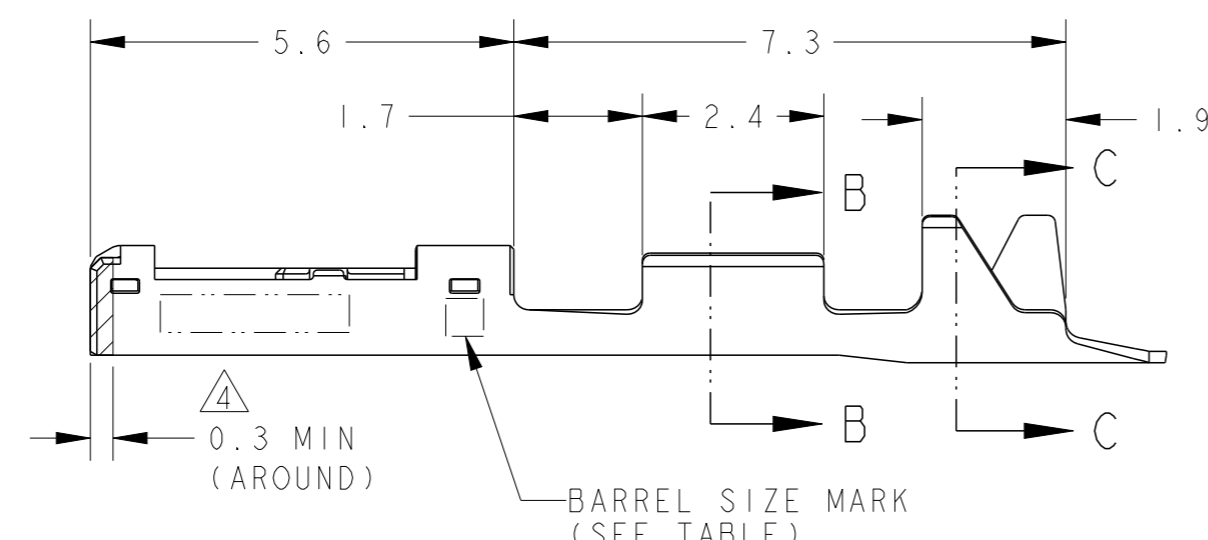
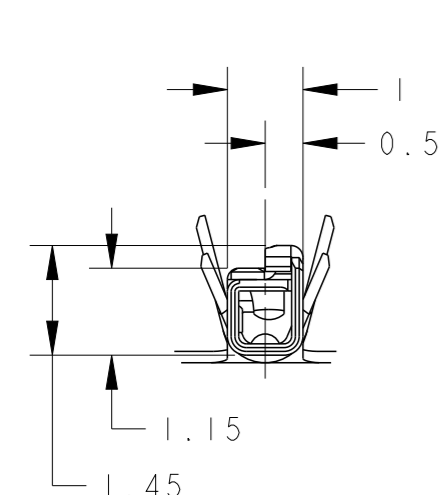
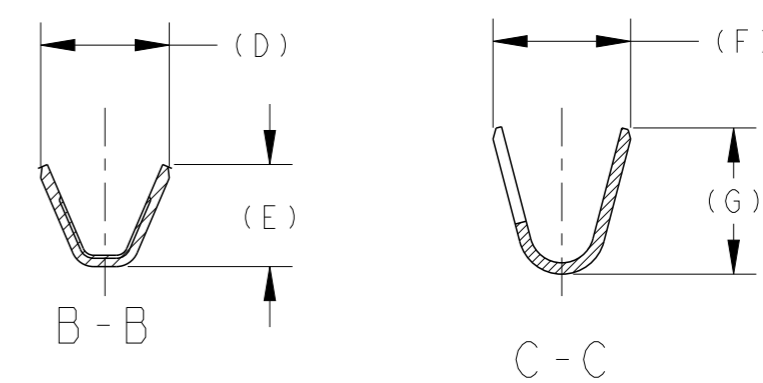
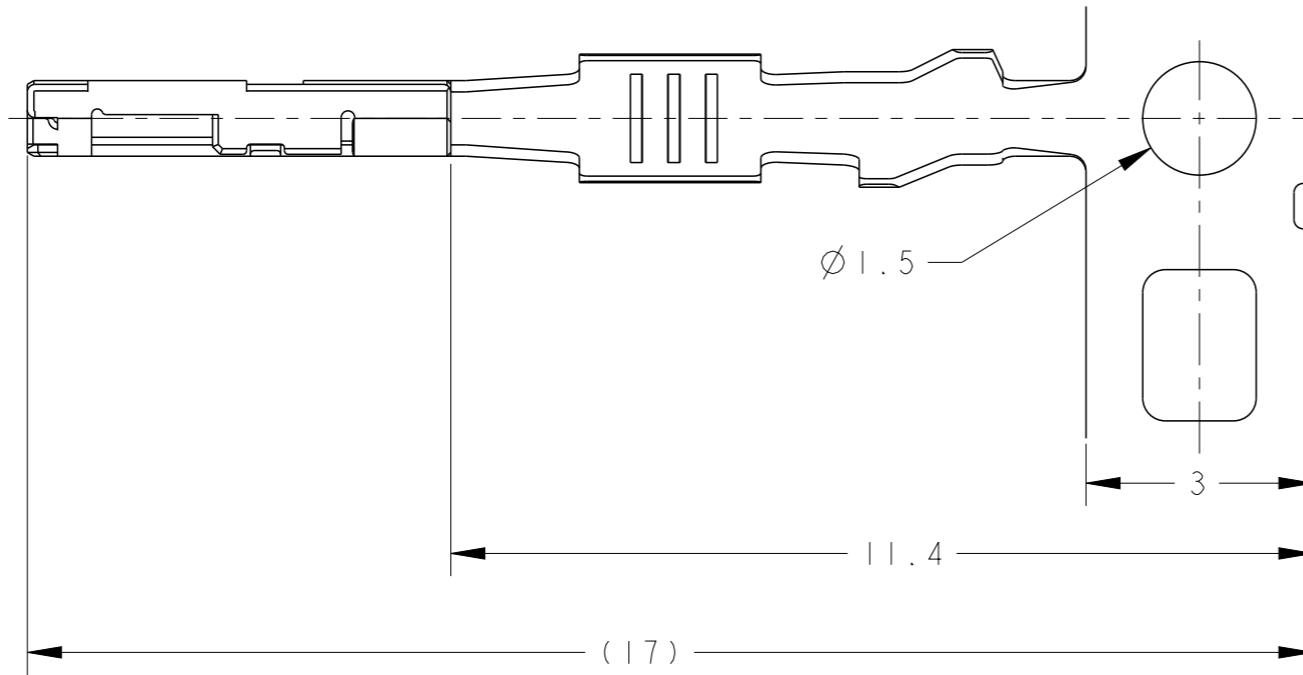


P	LTR	DESCRIPTION	DATE	DWN	APVD
A2	REVISED	ECR-20-004548	27MAR2020	DT	RK
A3	REVISED	ECR-20-004890	09APR2020	DT	RK
A4	REVISED	ECR-21-118871	21OCT2021	RK	KK
A5	REVISED	ECR-22-148286	03AUG2022	AY	HH



1. 適用電線: CHFUS/CIVUS 0.22~0.35mm²
2. 圧着作業については、以下の規格を参照すること。
取付適用規格: 114-5379
3. アプリケータ送りピッチ: 7mm
4. 寸法は識別用金めっき範囲を表す
5. 接触部: 金めっき / パレル部: 錫めっき
1. APPLICABLE WIRE RANGE : CHFUS/CIVUS 0.22~0.35mm²
2. MUST BE REFERRED TO THE FOLLOWING DOCUMENTS FOR CRIMPING OPERATION
APPLICABLE SPEC : 114-5379
3. APPLICATOR FEED : 7mm
GOLD PLATED AREA FOR DISCRIMINATION
4. CONTACT POINT; GOLD PLATING
5. BARREL; TIN PLATING

Ø0.95~1.2	0.22~0.35mm ²	1.95	1.82	1.35	1.7	M	0.50 REC(M)	1903703-1
INS RANGE	WIRE RANGE	G	F	E	D	BARREL SIZE MARK	NAME	PART NO

THIS DRAWING IS A CONTROLLED DOCUMENT.

DWN: Y. SUEMITSU 18MAR2008
CHK: K. SAKAMAKI 18MAR2008
APVD: H. YAMAGAMI 18MAR2008

TE Connectivity

NAME: 0.50 SERIES CONNECTOR
製品規格: 108-78208
取付適用規格: 114-5379

PRODUCT SPEC: 108-78208
APPLICATION SPEC: 114-5379

WEIGHT: 0.06 g

SIZE: A3
CAGE CODE: 00779
DRAWING NO: 1903703

RESTRICTED TO: -

MATERIAL: COPPER Alloy
FINISH: SELECTIVE GOLD, TIN

CUSTOMER DRAWING

SCALE: 10:1
SHEET: 1 OF 1
REV: A5