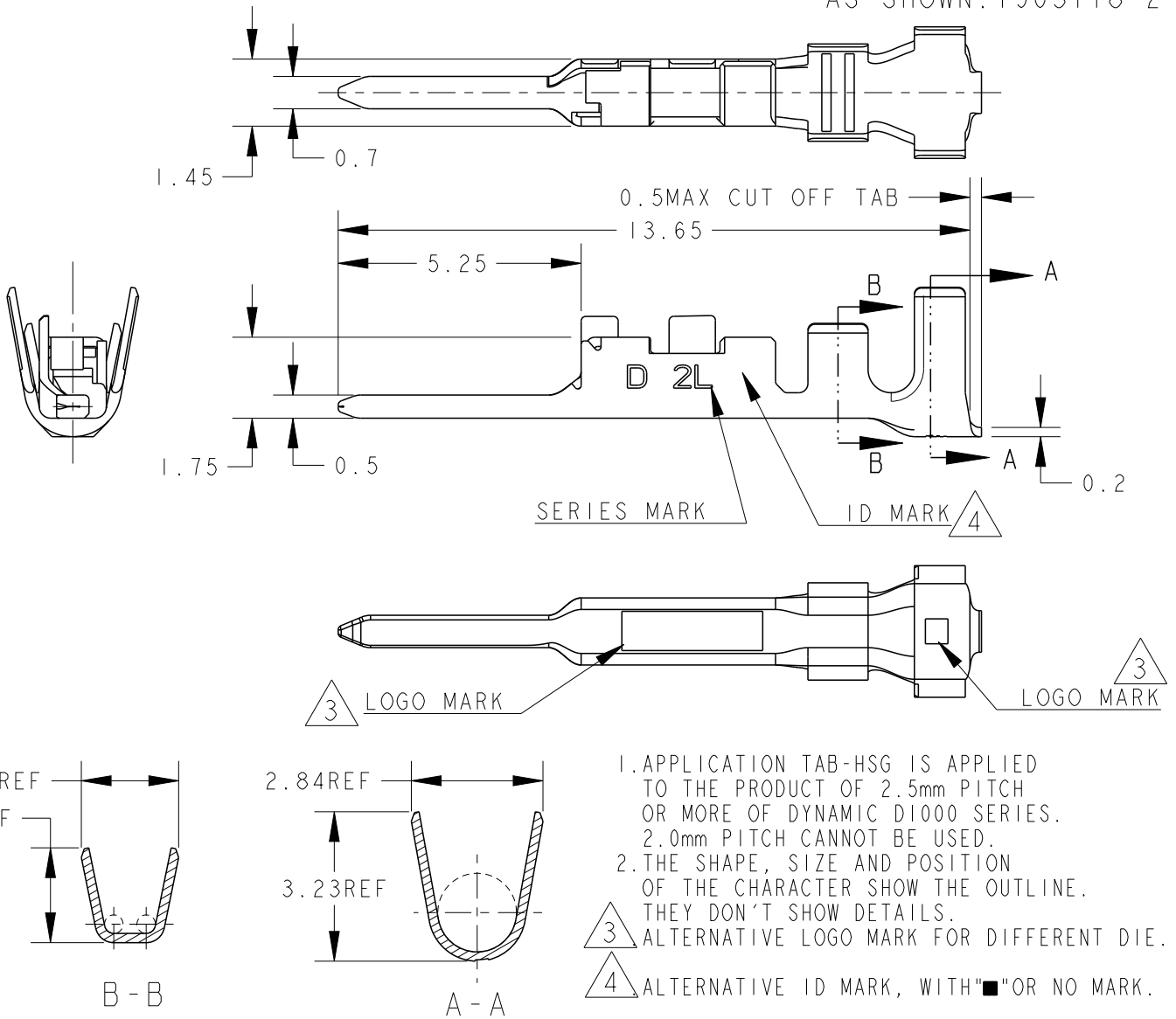


REVISIONS					
P	LTR	DESCRIPTION	DATE	DWN	APVD
	C	RIVISED PER ECR-19-016494	24OCT2019	F.Z	R.B
	D	REVISED PER ECR-22-142637	16JUN2022	RI	TS

AS SHOWN: 1903118-2



D 2L 4	MATERIAL: COPPER ALLOY FINISH: CONTACT AREA Au 0.2umMIN, OVER Ni 1.27umMIN	1903118-4
D 2L	MATERIAL: COPPER ALLOY FINISH: CONTACT AREA Au 0.38umMIN, OVER Ni 1.27umMIN	1903118-2
SERIES MARK	MATERIAL	PART NO

© 2019 TE Connectivity. All Rights Reserved.

DIMENSIONS: mm  TOLERANCES UNLESS OTHERWISE SPECIFIED: $\pm 0.3, \pm 3^\circ$ 0 PLC $\pm$ 1 PLC $\pm$ 2 PLC $\pm$ 3 PLC $\pm$ 4 PLC $\pm$ ANGLES $\pm$	DWN M. MAEBASHI 11 APR 2006	WIRE RANGE AWG#22-#18 mm <sup>2</sup> 0.34~0.86	INSULATION DIA $\phi 1.4 \sim \phi 2.2$
	CHK T. KUDO 11 APR 2006	MATERIAL SEE TABLE	FINISH SEE TABLE
	APVD D. MITSUGI 11 APR 2006	<b>TE</b> TE Connectivity	
	PRODUCT SPEC 108-78268	NAME DYNAMIC D1000 SERIES TAB CONTACT Au, 2L-TYPE L/P	
	APPLICATION SPEC 114-5377	SIZE A4	CAGE CODE 00779
	WEIGHT 0.086 g	DRAWING NO C-1903118	RESTRICTED TO
	CUSTOMER DRAWING	SCALE 7:1	SHEET 1 OF 1
			REV D