

P	LTR	DESCRIPTION	DATE	DWN	APVD
	A2	CHANGE IN WIRE RANGE	18APR2023	CI	KT

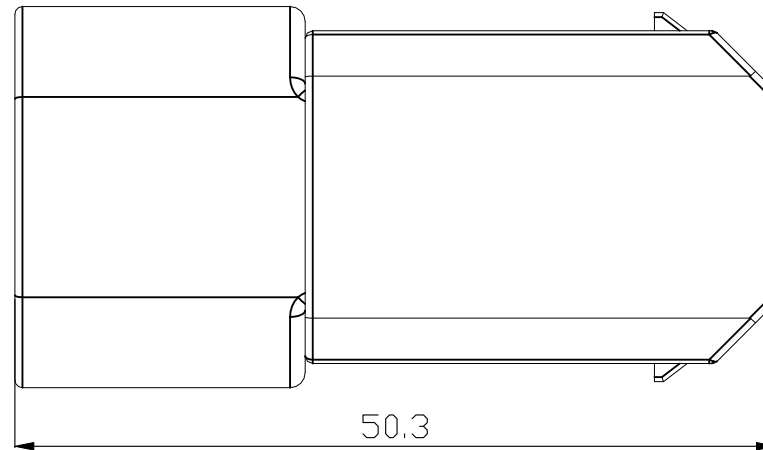
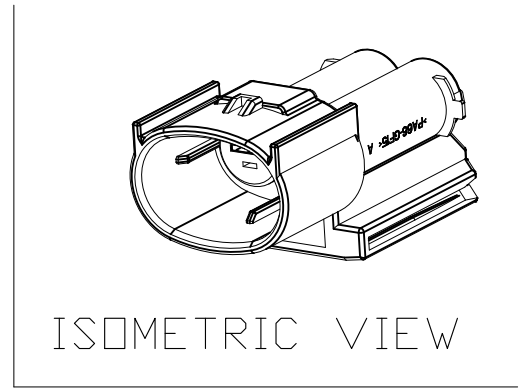
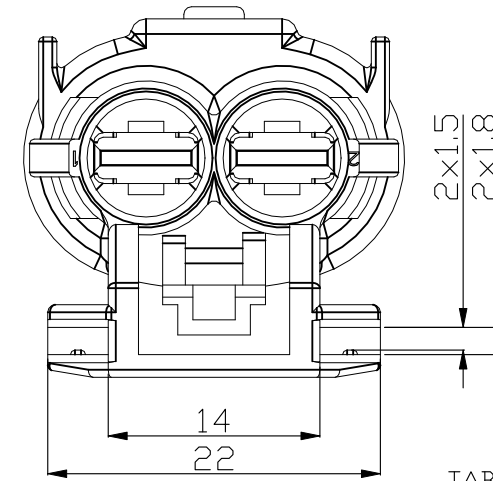
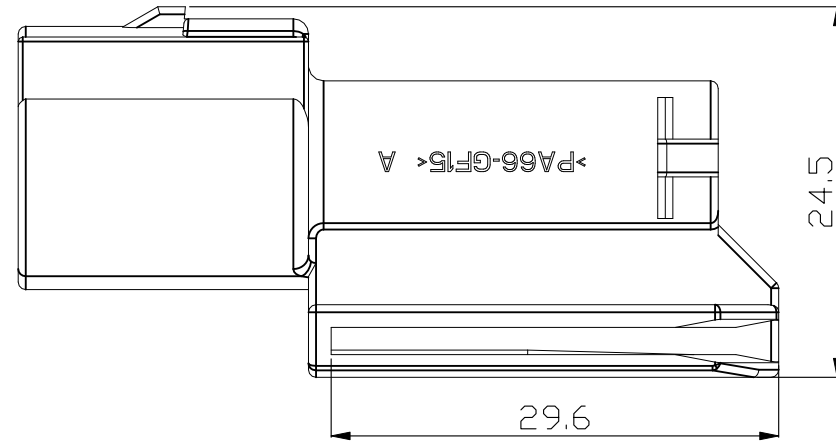
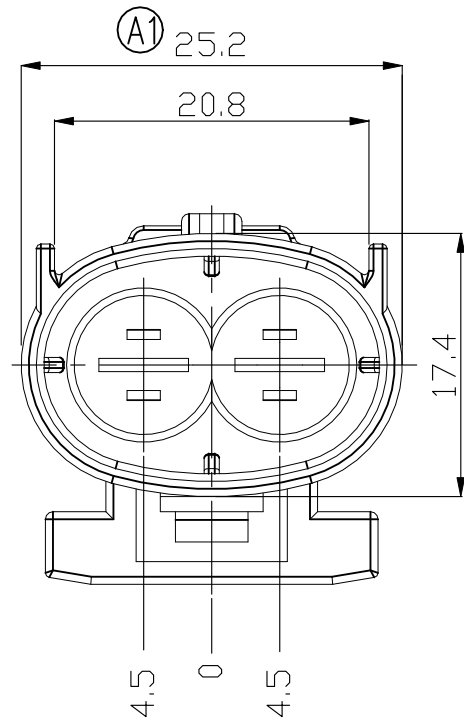


TABLE 1.

TAPE	PART NO.	WIRE RANGE (mm)	INSULATION DIA. (mm)	FINISH
MCP6.3	1-962917-1	0.5 - 1.0	1.4 - 2.1	CuSn, Tin
	1-962917-2			CuSn, Silver
	2-962917-1			CuFe, Tin
	2-962917-2			CuFe, Silver
	1-962918-1	1.5 - 2.5	2.2 - 3.0	CuSn, Tin
	1-962918-2			CuSn, Silver
	2-962918-1			CuFe, Tin
	2-962918-2			CuFe, Silver
	1-962919-1	>2.5 - 4.0	2.7 - 3.7	CuSn, Tin
	1-962919-2			CuSn, Silver
	2-962919-1			CuFe, Tin
	2-962919-2			CuFe, Silver

NOTE

1. GENERAL TOLERANCE :  $\pm 0.3$ ,  $\pm 3.0^\circ$
2. THE MATING CONNECTOR: 1897214-1
3. APPLICABLE TAB CONTACT P/N:TABLE 1.
4. APPLICABLE WIRE SEAL P/N:TABLE 2

TABLE 2.

TAPE	PART NO.	INSULATION DIA. (mm)	COLOR
MCP6.3	963243-1	1.4 - 2.1	BLUE
	963244-1	2.2 - 3.0	WHITE
	963245-1	3.4 - 3.7	YELLOW
	100132-1	CAVITY PLUG	BLACK

1897213-2	CAP HSG	PA66-GF15	BLACK
PART NO.	DESCRIPTION	MATERIAL	COLOR

THIS DRAWING IS A CONTROLLED DOCUMENT.		DWN SH LEE	TE Connectivity															
DIMENSIONS: mm		CHK YJ YOUN																
TOLERANCES UNLESS OTHERWISE SPECIFIED:		APVD JK SONG	NAME MCP 6.3 2P CAP HSG															
<table border="1"> <tr><td>0 PLC</td><td><math>\pm</math></td></tr> <tr><td>1 PLC</td><td><math>\pm</math></td></tr> <tr><td>2 PLC</td><td><math>\pm</math></td></tr> <tr><td>3 PLC</td><td><math>\pm</math></td></tr> <tr><td>4 PLC</td><td><math>\pm</math></td></tr> <tr><td>ANGLES</td><td><math>\pm</math></td></tr> <tr><td>FINISH</td><td><math>\pm</math></td></tr> </table>		0 PLC	$\pm$	1 PLC	$\pm$	2 PLC	$\pm$	3 PLC	$\pm$	4 PLC	$\pm$	ANGLES	$\pm$	FINISH	$\pm$	PRODUCT SPEC	-	
0 PLC	$\pm$																	
1 PLC	$\pm$																	
2 PLC	$\pm$																	
3 PLC	$\pm$																	
4 PLC	$\pm$																	
ANGLES	$\pm$																	
FINISH	$\pm$																	
MATERIAL SEE TABLE		APPLICATION SPEC	-															
		114-18052	SIZE	RESTRICTED TO														
		WEIGHT	CAGE CODE A3 00779	DRAWING NO C-1897213														
		CUSTOMER DRAWING	SCALE 1:1	SHEET 1 OF 1														
			REV A2															