

REVISIONS					
P	LTR	DESCRIPTION	DATE	DWN	APVD
	C2	REVISED PER ECR-23-191264	03NOV2023	SA	DM

SPECIFICATIONS:

MATERIAL

BASE, PPS,UL94V-0, BLACK
 COVER, PPS, UL94V-0, BLACK
 ACTUATOR, PA6T, UL94V-0, WHITE
 FIXED CONTACT/TERMINAL, CU ALLOY-GOLD FLASH OVER NICKEL
 MOVING CONTACT, CU ALLOY, PLATE-GOLD FLASH/NICKEL
 TAPE SEAL-POLYIMIDE FILM, AMBER, SEE P/N TABLE FOR OPTIONS

ELECTRICAL

MAX CONTACT RATING SWITCHING, -100mA @5VDC (Ampere max)
 -25mA@24VDC (Voltage max).
 MIN CONTACT RATING SWITCHING, .1MICROAMP @ 1 MILLIVOLT
 MAX CONTACT NON-SWITCHING, 1AMP @ 5 VDC
 INITIAL CONTACT RESISTANCE, 50 MILLIOHMS MAX.
 CONTACT RESISTANCE (AFTER ENVIRONMENTAL TEST), 100 MILLIOHMS
 CONTACT RESISTANCE (AFTER GAS TEST), 300 MILLIOHMS
 INSULATION RESISTANCE, 100MΩ min@ 100VDC between the same poles
 DIELECTRIC STRENGTH, 300V AC for 1 minute.
 ELECTRICAL LIFE, 1,000 cycles (10mA@5VDC).
 WITHSTAND VOLTAGE, 300VAC for 1 min between the same poles.

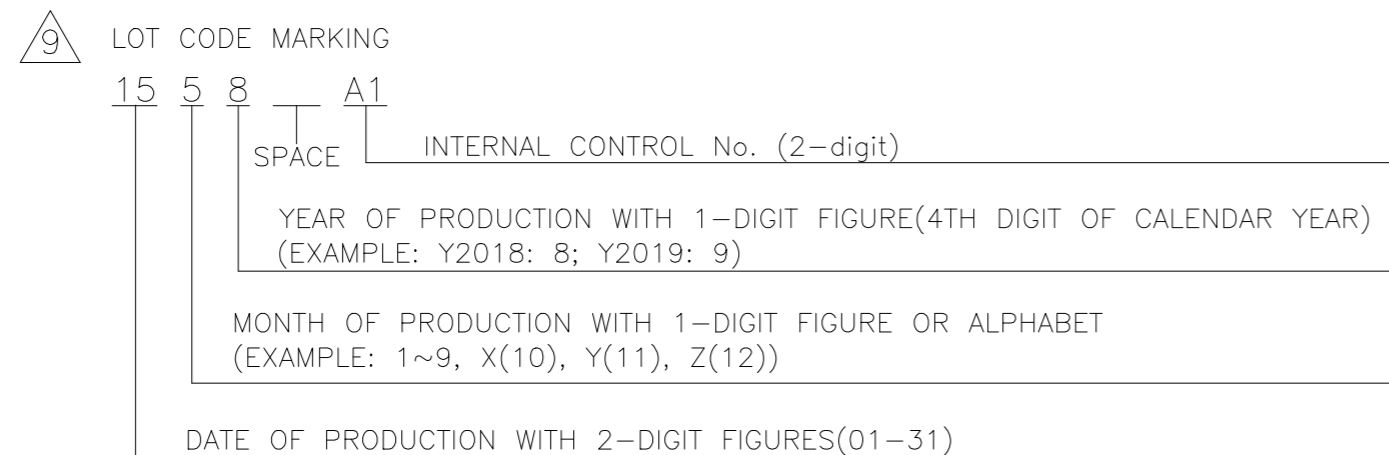
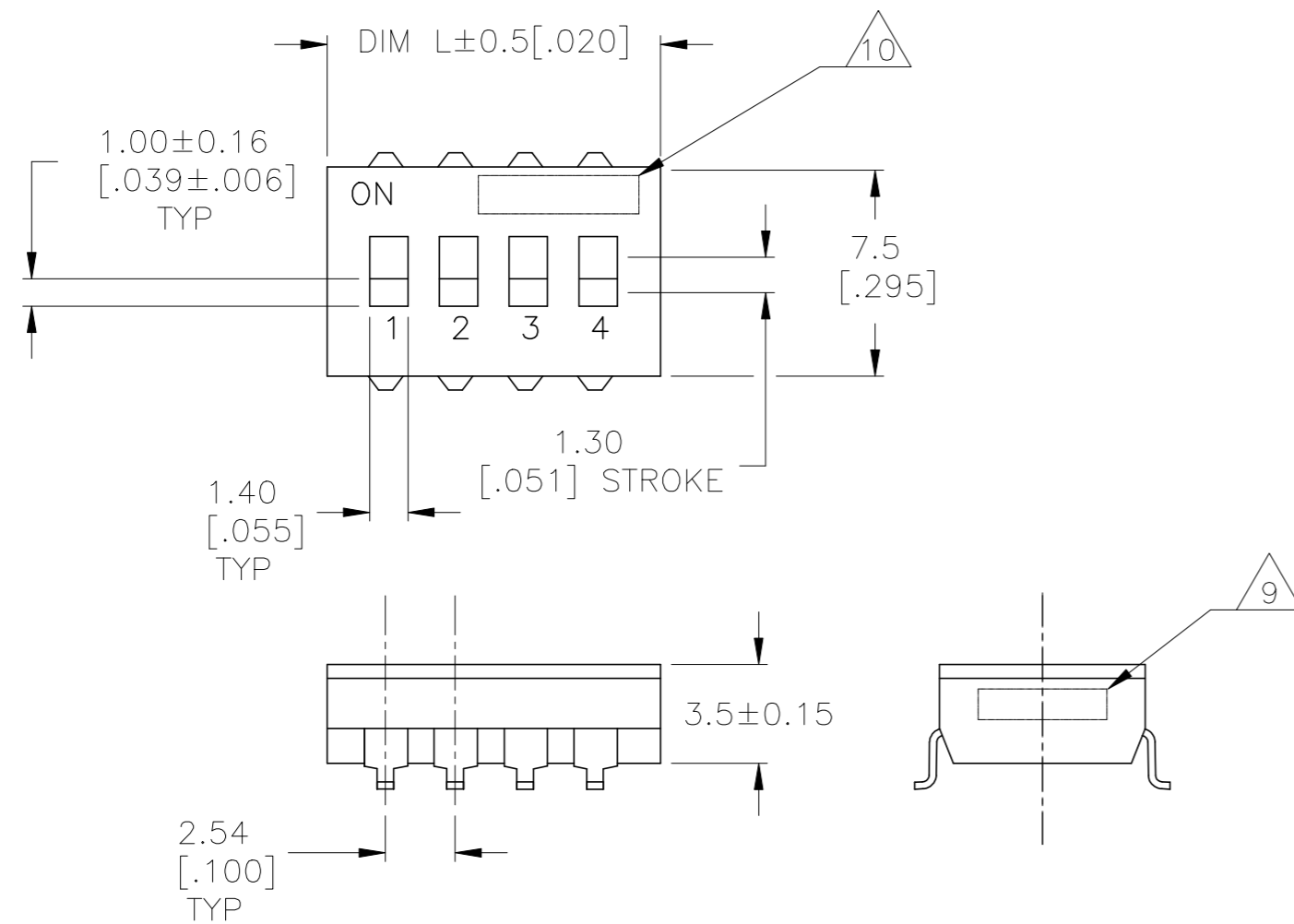
MECHANICAL

OPERATING FORCE, LESS THAN 800 GRAMS
 CONTACT PRESSURE, 2.9N min

ENVIRONMENTAL

OPERATING TEMPERATURE, -30 TO +85 DEGREES C
 STORAGE TEMPERATURE, -40 TO +85 DEGREES C
 CLEANING, AQUEOUS OR SOLVENT
 SOLDER HEAT RESISTANCE, PER 109-201, COND B, SWITCH "OFF".
 SOLDERABILITY PER JIS C 0050 & JIS C 0053.

- SWITCHES TO BE RECEIVED IN THE "OFF" POSITION AND PACKAGED IN CLEAR TUBES TO ACCOMMODATE AUTO-INSERTION OR PACKAGED ON TAPE AND REEL
- TOP SURFACE TO BE CLEARLY MARKED AS SHOWN
- SWITCHES TO BE BLACK WITH WHITE ACTUATORS AND MARKINGS.
- TERMINAL OPTION: OLD T&B P/N ADExxS, SA OR SB
 S= OUTSIDE "L" TERMINALS; SA= INSIDE "L" TERMINALS;
 SB= BUTT TERMINALS
- ALL MATERIALS AND FINISHES SHALL COMPLY WITH EU DIRECTIVE 2002/95/EC OF 27JAN2003 (ROHS)
- TOP TAPE SEAL AVAILABLE, SEE TABLE FOR OPTIONS.
- TAPE AND REEL PACKAGING PER EIA 481.
- NOTE DELETED

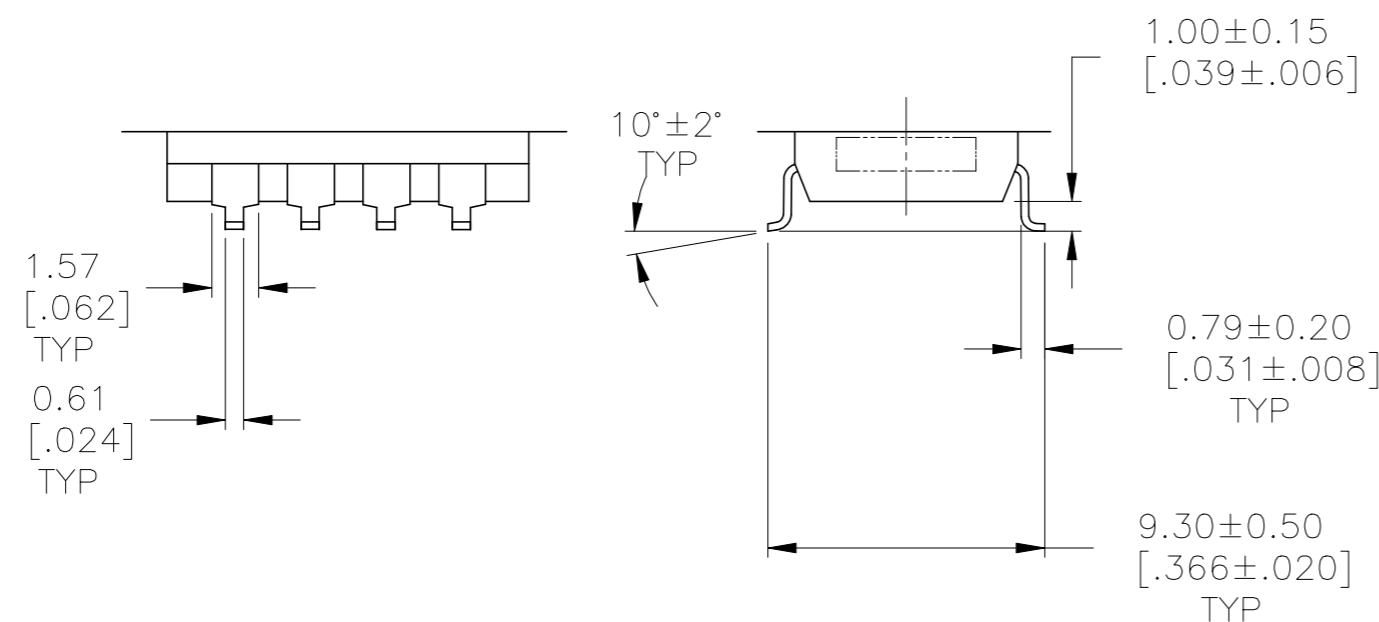


10 MARK ALSO PLUS FIRST 5 DIGITS PER T&B P/N.2 AND 3 POSITION SUPPLIED WITHOUT ALCO

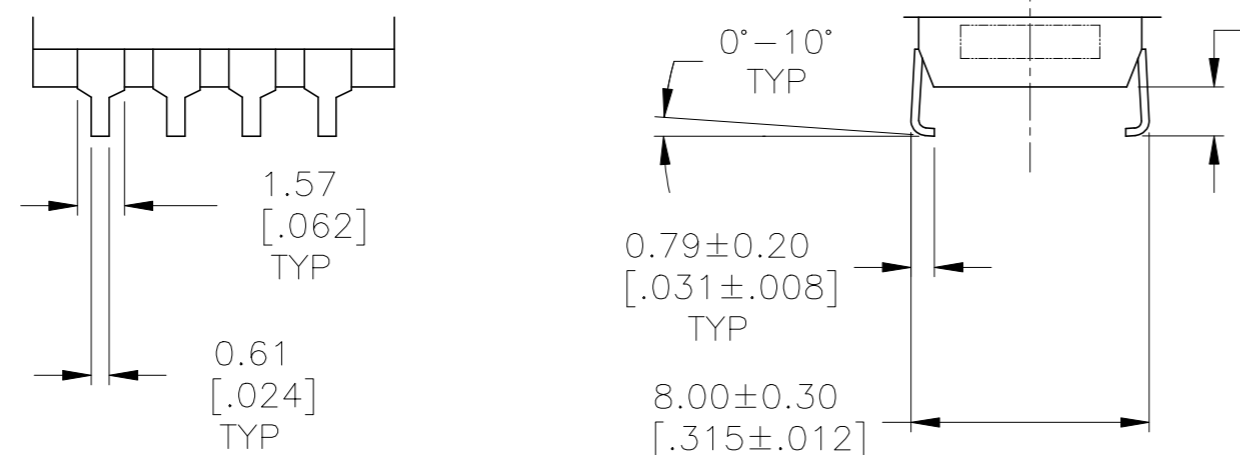
SEE SHEET 3 FOR PART NUMBER TABLE
 SEE SHEET 2 FOR MOUNTING OPTIONS

THIS DRAWING IS A CONTROLLED DOCUMENT.		DWN B.S.VISWESWARA 11FEB05			
DIMENSIONS: mm [INCHES]		CHK M.SARVER			
TOLERANCES UNLESS OTHERWISE SPECIFIED:		APVD M.SARVER	PRODUCT SPEC		
0 PLC ± - 1 PLC ± - 2 PLC ± 0.30[.012] 3 PLC ± - 4 PLC ± - ANGLES ± -		APPLICATION SPEC		RESTRICTED TO	
MATERIAL		WEIGHT	SIZE A2	CAGE CODE -	DRAWING NO 1825059
		CUSTOMER DRAWING	SCALE 4:1	SHEET 1 of 5	REV C2

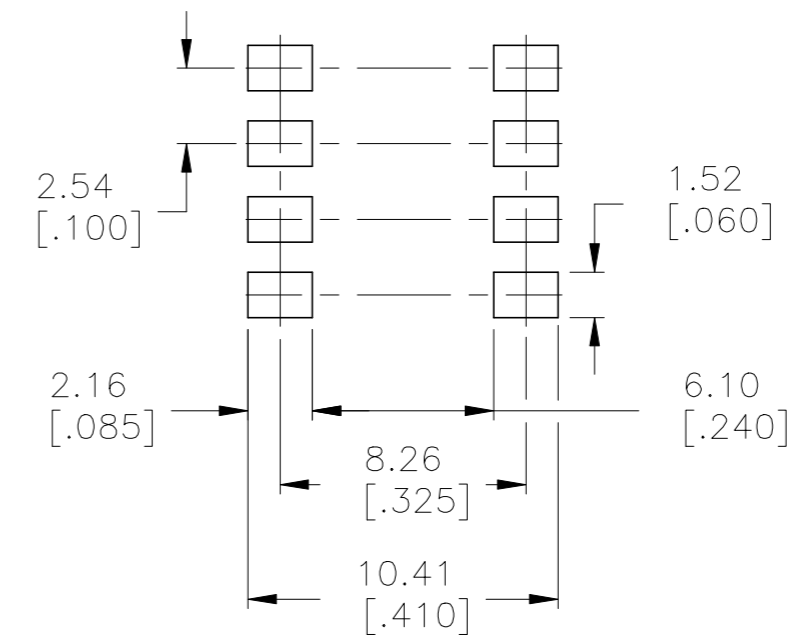
REVISIONS					
P	LTR	DESCRIPTION	DATE	DWN	APVD
-	-	SEE SHEET 1	-	-	-



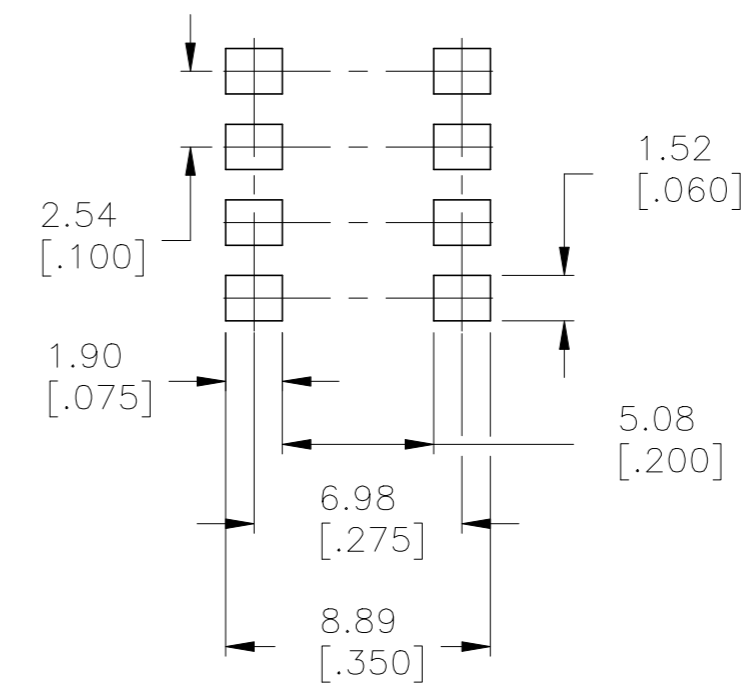
SURFACE MOUNT S (OUTSIDE "L")



SURFACE MOUNT SA (INSIDE "L")



RECOMMENDED PAD LAYOUT




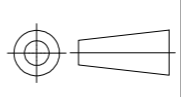
RECOMMENDED PAD LAYOUT

THIS DRAWING IS A CONTROLLED DOCUMENT.		DWN B.S.VISWESWARA 11FEB05	TE TE Connectivity	
DIMENSIONS: mm [INCHES]		CHK M.SARVER		
TOLERANCES UNLESS OTHERWISE SPECIFIED:		APVD M.SARVER	NAME	
0 PLC ± -		PRODUCT SPEC	DIP SWITCH, ADF-SMT SERIES	
1 PLC ± -		APPLICATION SPEC	SIZE CAGE CODE DRAWING NO RESTRICTED TO	
2 PLC ± 0.30[.012]		WEIGHT	A2 -	1825059
3 PLC ± -		CUSTOMER DRAWING	SCALE 4:1	SHEET 2 OF 5
4 PLC ± -				REV C2
ANGLES ± -				
FINISH -				

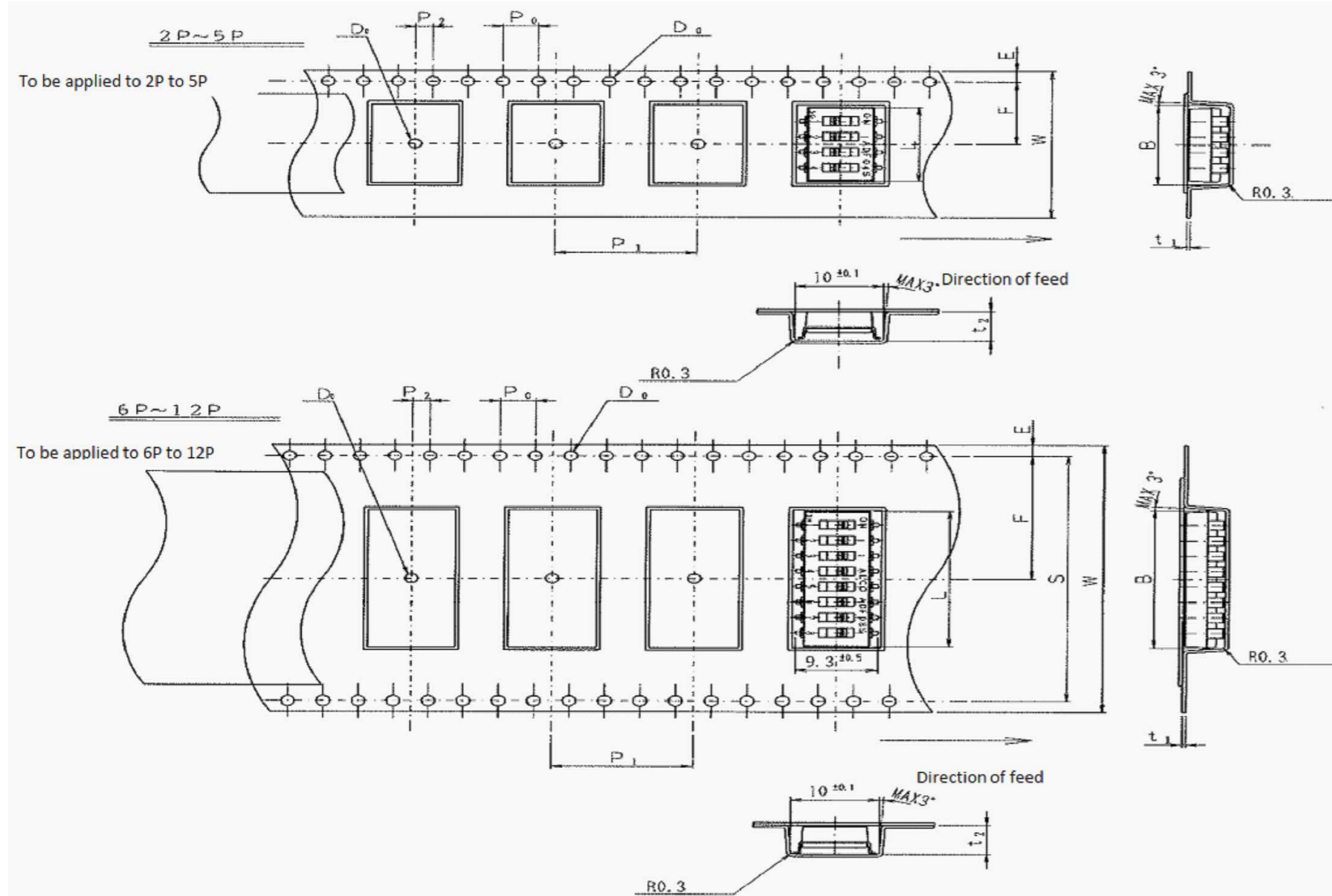
REVISIONS				
P	LTR	DESCRIPTION	DATE	APVD
-	-	SEE SHEET 1	-	-

ADF05STR04	14.68[.578]	NO	5	6-1825059-4
ADF10STR04	27.36[1.078]	NO	10	6-1825059-2
ADF03STR04	9.60[.378]	NO	3	6-1825059-1
ADF12STTR04	32.51[1.280]	YES	12	6-1825059-0
ADF12ST04	32.51[1.280]	YES	12	5-1825059-9
ADF12SATTR04	32.51[1.280]	YES	12	5-1825059-8
ADF12SAT04	32.51[1.280]	YES	12	5-1825059-7
ADF12SA04	32.51[1.280]	NO	12	5-1825059-6
ADF12S04	32.51[1.280]	NO	12	5-1825059-5
ADF10STTR04	27.36[1.078]	YES	10	5-1825059-4
ADF10ST04	27.36[1.078]	YES	10	5-1825059-3
ADF10SATTR04	27.36[1.078]	YES	10	5-1825059-2
ADF10SAT04	27.36[1.078]	YES	10	5-1825059-1
ADF10SA04	27.36[1.078]	NO	10	5-1825059-0
ADF10S04	27.36[1.078]	NO	10	4-1825059-9
ADF09STTR04	24.54[.978]	YES	9	4-1825059-8
ADF09ST04	24.54[.978]	YES	9	4-1825059-7
ADF09SATTR04	24.54[.978]	YES	9	4-1825059-6
ADF09SAT04	24.54[.978]	YES	9	4-1825059-5
ADF09SA04	24.54[.978]	NO	9	4-1825059-4
T&B P/N	DIM L	SEAL	POS	PART NO.

ADF09S04	24.54[.978]	NO	9	4-1825059-3
ADF08STTR04	22.30[.878]	YES	8	4-1825059-2
ADF08ST04	22.30[.878]	YES	8	4-1825059-1
ADF08SATTR04	22.30[.878]	YES	8	4-1825059-0
ADF08SAT04	22.30[.878]	YES	8	3-1825059-9
ADF08SA04	22.30[.878]	NO	8	3-1825059-8
ADF08S04	22.30[.878]	NO	8	3-1825059-7
ADF07STTR04	19.76[.778]	YES	7	3-1825059-6
ADF07ST04	19.76[.778]	YES	7	3-1825059-5
ADF07SATTR04	19.76[.778]	YES	7	3-1825059-4
ADF07SAT04	19.76[.778]	YES	7	3-1825059-3
ADF07SA04	19.76[.778]	NO	7	3-1825059-2
ADF07S04	19.76[.778]	NO	7	3-1825059-1
ADF06STTR04	17.22[.678]	YES	6	3-1825059-0
ADF06ST04	17.22[.678]	YES	6	2-1825059-9
ADF06SATTR04	17.22[.678]	YES	6	2-1825059-8
ADF06SAT04	17.22[.678]	YES	6	2-1825059-7
ADF06SA04	17.22[.678]	NO	6	2-1825059-6
ADF06S04	17.22[.678]	NO	6	2-1825059-5
ADF05STTR04	14.68[.578]	YES	5	2-1825059-4
ADF05ST04	14.68[.578]	YES	5	2-1825059-3
ADF05SATTR04	14.68[.578]	YES	5	2-1825059-2
ADF05SAT04	14.68[.578]	YES	5	2-1825059-1
ADF05SA04	14.68[.578]	NO	5	2-1825059-0
ADF05S04	14.68[.578]	NO	5	1-1825059-9
ADF04STTR04	12.14[.478]	YES	4	1-1825059-8
ADF04ST04	12.14[.478]	YES	4	1-1825059-7
ADF04SATTR04	12.14[.478]	YES	4	1-1825059-6
ADF04SAT04	12.14[.478]	YES	4	1-1825059-5
ADF04SA04	12.14[.478]	NO	4	1-1825059-4
ADF04S04	12.14[.478]	NO	4	1-1825059-3
ADF03STTR04	9.60[.378]	YES	3	1-1825059-2
ADF03ST04	9.60[.378]	YES	3	1-1825059-1
ADF03SATTR04	9.60[.378]	YES	3	1-1825059-0
ADF03SAT04	9.60[.378]	YES	3	1825059-9
ADF03SA04	9.60[.378]	NO	3	1825059-8
ADF03S04	9.60[.378]	NO	3	1825059-7
ADF02STTR04	7.06[.278]	YES	2	1825059-6
ADF02ST04	7.06[.278]	YES	2	1825059-5
ADF02SATTR04	7.06[.278]	YES	2	1825059-4
ADF02SAT04	7.06[.278]	YES	2	1825059-3
ADF02SA04	7.06[.278]	NO	2	1825059-2
ADF02S04	7.06[.278]	NO	2	1825059-1
T&B P/N	DIM L	SEAL	POS	PART NO.

THIS DRAWING IS A CONTROLLED DOCUMENT.		DWN B.S.VISWESWARA 11FEB05	 TE Connectivity	
DIMENSIONS: mm [INCHES]		CHK M.SARVER		
		TOLERANCES UNLESS OTHERWISE SPECIFIED:		PRODUCT SPEC APPLICATION SPEC WEIGHT
MATERIAL		APVD M.SARVER		
FINISH		RESTRICTED TO		SIZE A2
		CUSTOMER DRAWING		CAGE CODE -
		SCALE 4:1		DRAWING NO 1825059
		SHEET 3 of 5		REV C2

PACKAGING SPECIFICATION



REVISIONS					
P	LTR	DESCRIPTION	DATE	DWN	APVD
-	-	SEE SHEET 1	-	-	-

No.	Description	Material	Dimensions	Finish	Remarks
1	Reel	Side: Cardboard Core: Stylofoam	Mentioned below		
2	Embossed tape	PS	Mentioned below	Antistatic	Black
3	Top cover tape	PET	Mentioned below	Antistatic	Transparent

No. of Pos.	W	B	t ₁	t ₂	L	D ₀	D ₁
2P		7.9±0.1			7.06±0.5		
3P	24.0±0.3	10.4±0.1			9.60±0.5		φ 1.5 ^{+0.1} ₀
4P		12.9±0.1			12.14±0.5		
5P		15.4±0.1			14.68±0.5		
6P	32.0±0.3	18.0±0.1	0.4±0.05	4.8±0.1	17.22±0.5	φ 1.5 ^{+0.1} ₀	φ 2.0 ^{+0.1} ₀
7P		20.5±0.1			19.76±0.5		
8P		22.7±0.1			22.30±0.5		
9P	44.0±0.3	25.6±0.1			24.84±0.5		
10P		28.1±0.1			27.38±0.5		
12P		33.1±0.1			32.50±0.5		

No. of Pos.	P ₀	P ₁	P ₂	F	E	S
2P						
3P				11.5±0.1		
4P						
5P			2.0±0.1			
6P	4.0±0.1	16.0±0.1		14.2±0.1	1.75±0.1	28.4±0.1
7P						
8P						
9P				20.2±0.1		40.4±0.1
10P						
12P			2.0±0.15			

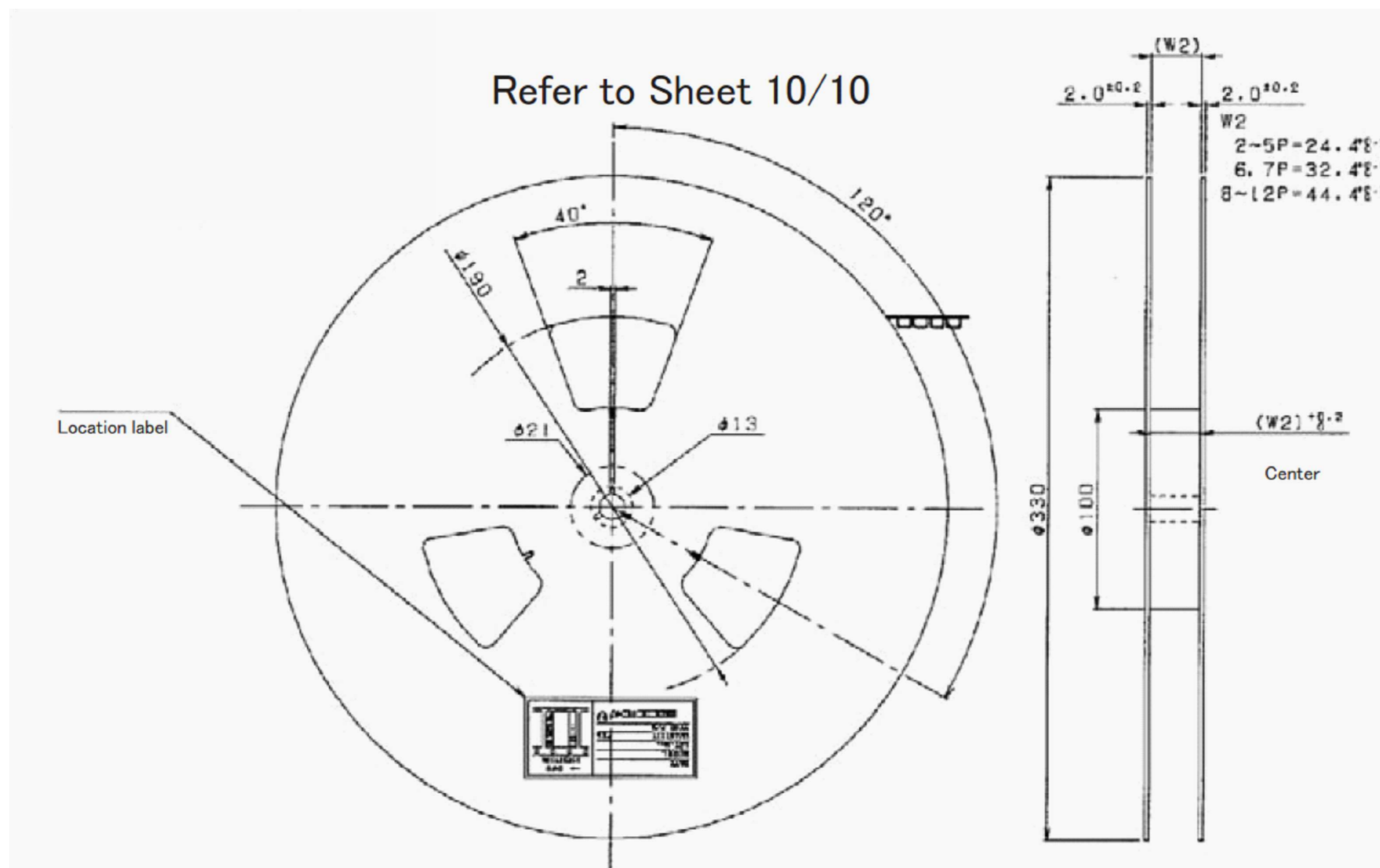
THIS DRAWING IS A CONTROLLED DOCUMENT.		DWN B.S.VISWESWARA 11FEB05	TE Connectivity	
DIMENSIONS: mm [INCHES]		CHK M.SARVER		
TOLERANCES UNLESS OTHERWISE SPECIFIED:		APVD M.SARVER	NAME	
0 PLC ± -		PRODUCT SPEC	DIP SWITCH, ADF-SMT SERIES	
1 PLC ± -		APPLICATION SPEC	SIZE CAGE CODE DRAWING NO RESTRICTED TO	
2 PLC ± 0.30[.012]			A2 -	1825059
3 PLC ± -			SCALE	SHEET
4 PLC ± -			4:1	4 of 5
ANGLES ± -				REV C2
FINISH			CUSTOMER DRAWING	

PACKAGING SPECIFICATION

REVISIONS

P	LTR	DESCRIPTION	DATE	DWN	APVD
-	-	SEE SHEET 1	-	-	-

	Description	Material	(mm) Dimensions	Remarks
1	Cardboard box	Cardboard	350 × 365 × 54 Inside: 344x359x48	
2	Poly bag	PET	445 × 415	



Refer to Sheet 10/10

Location label

THIS DRAWING IS A CONTROLLED DOCUMENT.

DWN B.S.VISWESWARA 11FEB05

CHK M.SARVER

APVD M.SARVER

PRODUCT SPEC

APPLICATION SPEC

WEIGHT

CUSTOMER DRAWING



DIP SWITCH, ADF-SMT SERIES

SIZE	CAGE CODE	DRAWING NO	RESTRICTED TO
A2	-	1825059	-

SCALE	SHEET	REV
4:1	5 of 5	C2

DIMENSIONS:	TOLERANCES UNLESS OTHERWISE SPECIFIED:
mm [INCHES]	
	0 PLC ± -
	1 PLC ± -
	2 PLC ± 0.30[.012]
	3 PLC ± -
	4 PLC ± -
	ANGLES ± -
MATERIAL	FINISH
-	-

D

D

C

C

B

B

A

A

1825059