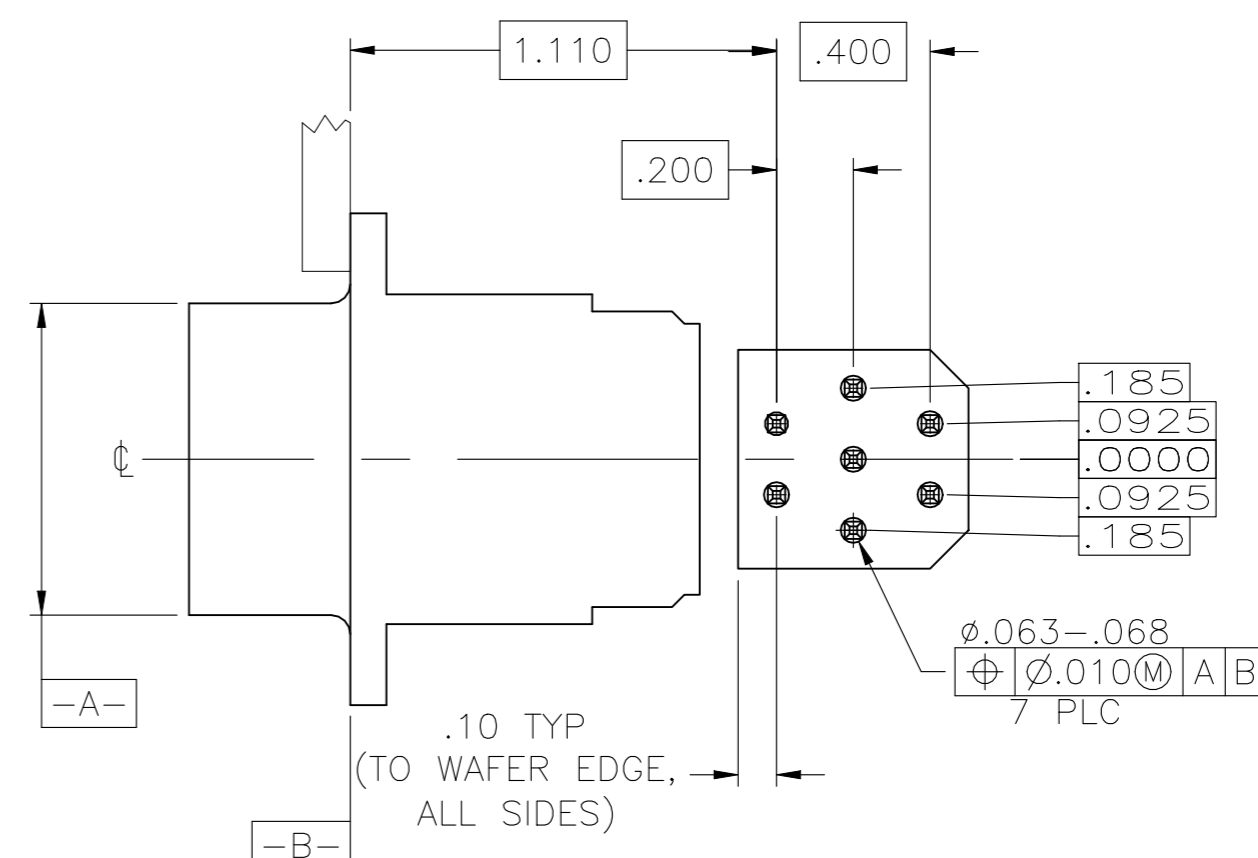
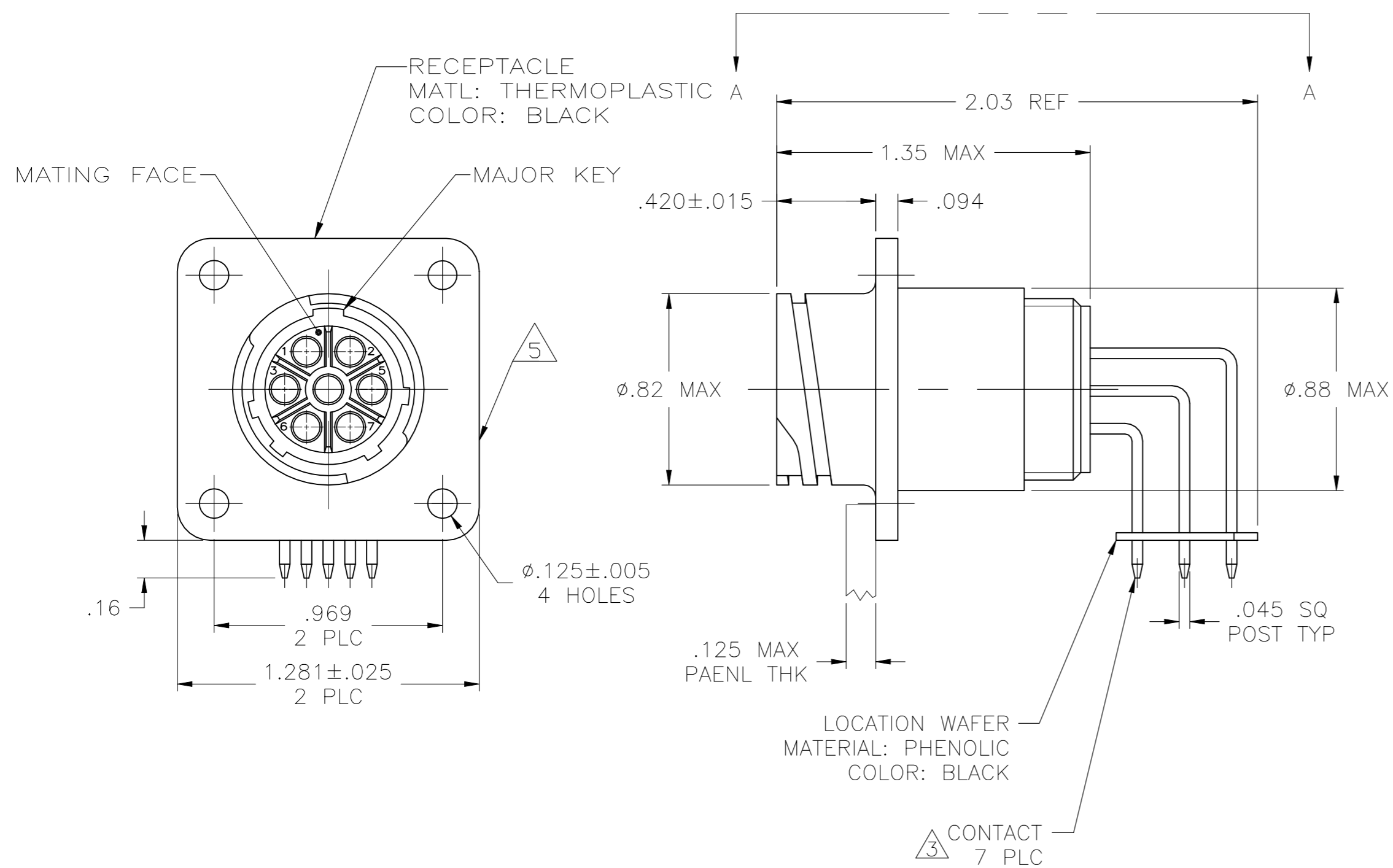
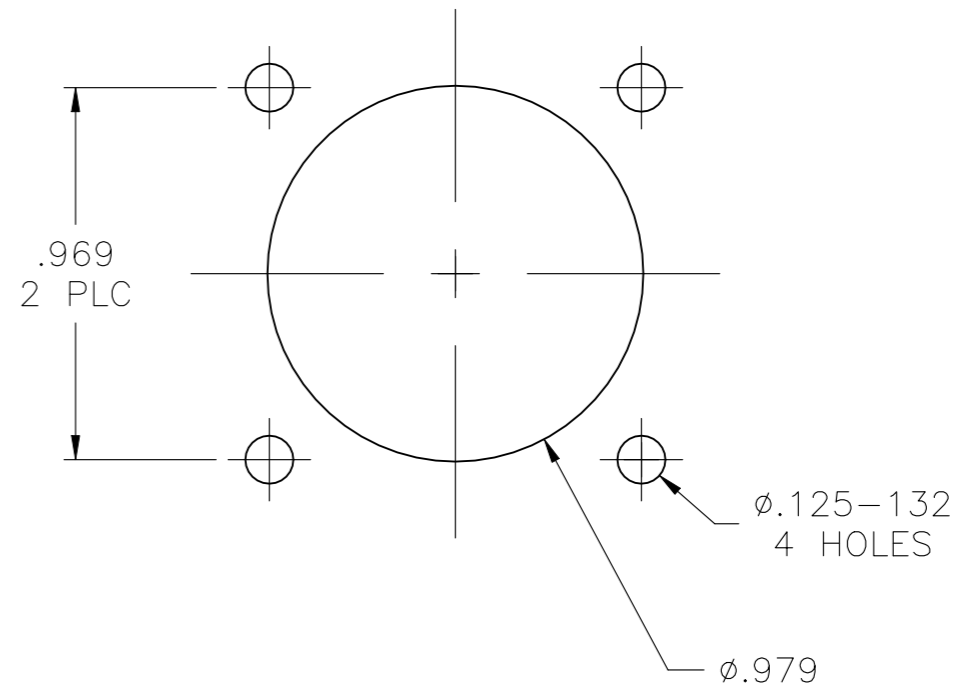


REVISIONS					
P	LTR	DESCRIPTION	DATE	DWN	APVD
B		ECO-21-006945	27OCT2021	RK	MZ



VIEW A-A
RECOMMENDED PC BOARD LAYOUT



- CONTACT CAVITIES IDENTIFIED BY CHARACTERS ON FRONT AND REAR FACES OF CONNECTOR.
- #6 FASTNER RECOMMENDED FOR MOUNTING.
- CONTACT BODY: .000030 MIN GOLD FOR A LENGTH OF .250 MIN FROM MATING END, WITH REMAINDER TO BE GOLD FLASH, BOTH OVER .000050 MIN NICKEL.
CONTACT POST: .000100 MIN TIN OVER MIN COPPER.
- PC BOARD HOLE PATTERN IS DEFINED RELATIVE TO CONNECTOR C.L. AND PANEL MOUNTING FACE INDICATED.

TE LOGO AND PART NUMBER LOCATED ON ANY FLANGE EDGE

1776903-1
PART NUMBER

THIS DRAWING IS A CONTROLLED DOCUMENT.		DWN	10/4/06	 TE Connectivity		NAME		RESTRICTED TO			
DIMENSIONS:		CHK	10/4/06			RECEPTACLE ASSEMBLY, POSTED, RT ANGLE,		SIZE		CAGE CODE	
INCHES		APVD	10/4/06			STD SEX, SIZE 13-7, SERIES 1, CPC		DRAWING NO		DRAWING NO	
TOLERANCES UNLESS OTHERWISE SPECIFIED:		PRODUCT SPEC						SCALE		SHEET	
0 PLC ± -		APPLICATION SPEC				A2		00779			
1 PLC ± -						2:1		1 of 1			
2 PLC ± .03						CUSTOMER DRAWING		REV			
3 PLC ± .010								B			
4 PLC ± -											
ANGLES ± ±											
FINISH											