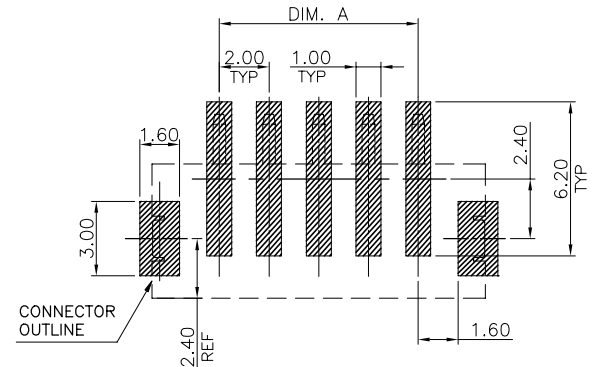
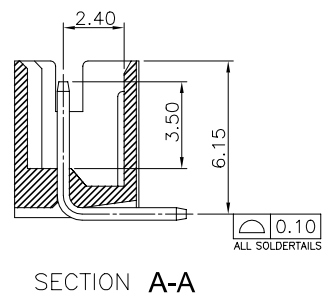
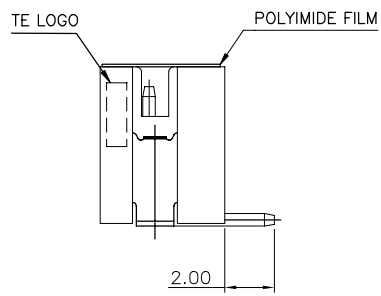
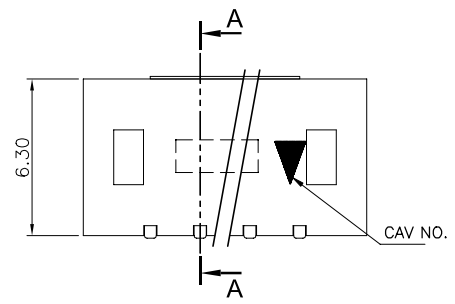


RECOMMENDED PCB LAYOUT
TOLERANCE: ±0.05



RECOMMENDED PCB LAYOUT
TOLERANCE: ±0.05



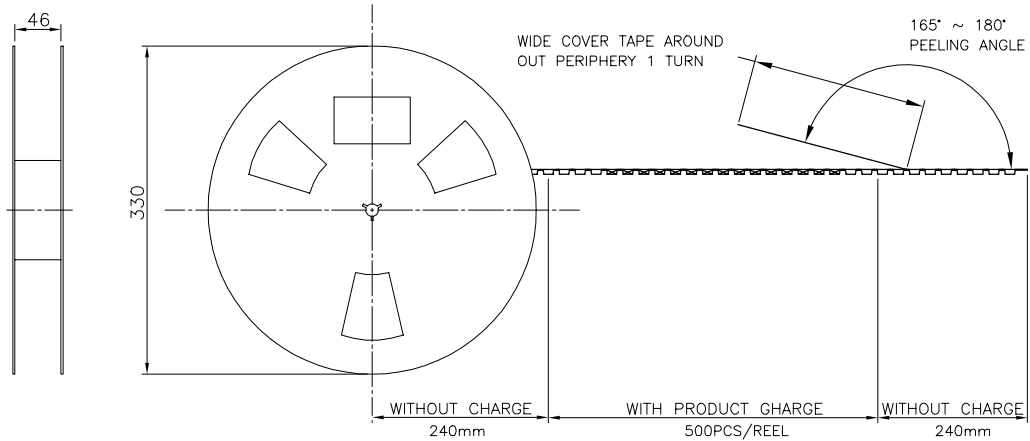
THICKNESS	DIM D	DIM C	DIM B	DIM A	POS	PART NUMBER
28.00	32.90	35.40	30.00	16P	3	1775470-6
26.00	30.90	33.40	28.00	15P	3	1775470-5
24.00	28.90	31.40	26.00	14P	3	1775470-4
22.00	26.90	29.40	24.00	13P	3	1775470-3
20.00	24.90	27.40	22.00	12P	3	1775470-2
18.00	22.90	25.40	20.00	11P	3	1775470-1
16.00	20.90	23.40	18.00	10P	3	1775470-0
14.00	18.90	21.40	16.00	9P	2	1775470-9
12.00	16.90	19.40	14.00	8P	2	1775470-8
10.00	14.90	17.40	12.00	7P	2	1775470-7
8.00	12.90	15.40	10.00	6P	2	1775470-6
6.00	10.90	13.40	8.00	5P	2	1775470-5
4.00	8.90	11.40	6.00	4P	2	1775470-4
2.00	6.90	9.40	4.00	3P	2	1775470-3
0.60	4.90	7.40	2.00	2P	2	1775470-2
0.60	4.90	7.40	2.00	2P	4	1775470-2
28.00	32.90	35.40	30.00	16P	1	1775470-6
26.00	30.90	33.40	28.00	15P	1	1775470-5
24.00	28.90	31.40	26.00	14P	1	1775470-4
22.00	26.90	29.40	24.00	13P	1	1775470-3
20.00	24.90	27.40	22.00	12P	1	1775470-2
18.00	22.90	25.40	20.00	11P	1	1775470-1
16.00	20.90	23.40	18.00	10P	1	1775470-0
14.00	18.90	21.40	16.00	9P		1775470-9
12.00	16.90	19.40	14.00	8P		1775470-8
10.00	14.90	17.40	12.00	7P		1775470-7
8.00	12.90	15.40	10.00	6P		1775470-6
6.00	10.90	13.40	8.00	5P		1775470-5
4.00	8.90	11.40	6.00	4P		1775470-4
2.00	6.90	9.40	4.00	3P		1775470-3
0.60	4.90	7.40	2.00	2P		1775470-2

- NOTE:
- MATERIAL :
HOUSING : PA9T, UL 94V-0, COLOR: NATURAL.
CONTACT : BRASS, THICKNESS=0.50mm.
SOLDER PEG : BRASS
 - FINISH:
CONTACT : Δ 2um [80 μ] MIN. MATTE TIN PLATED OVER
1.27 μ m [50 μ] MIN. NICKEL UNDERPLATED ALL OVER.
 Δ GOLD FLASH OVER 1.27 μ m [50 μ] MIN. NICKEL UNDERPLATED ALL OVER.
PEG : 2um [80 μ] MATTE TIN, 1.27 μ m [50 μ] NICEL.
 - REFLOW SOLDER CAPABLE TO 260°C PER TE CONNECTIVITY SPEC 109-201, CONDITION B.
- Δ MATERIAL :
HOUSING : PA9T, UL 94V-0, COLOR: BLACK.
CONTACT : BRASS, THICKNESS=0.50mm.
SOLDER PEG : BRASS

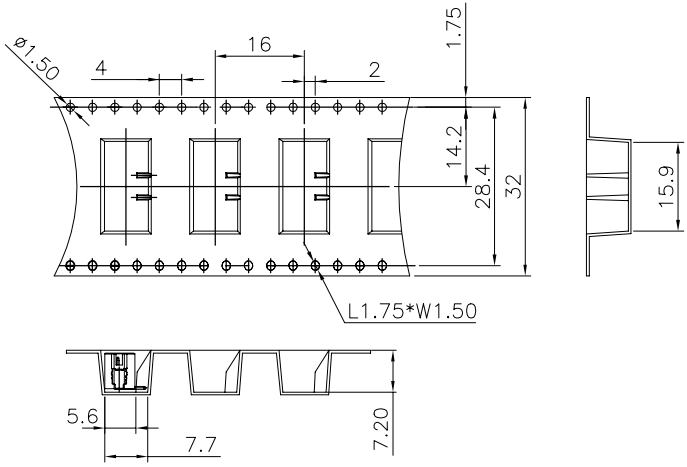
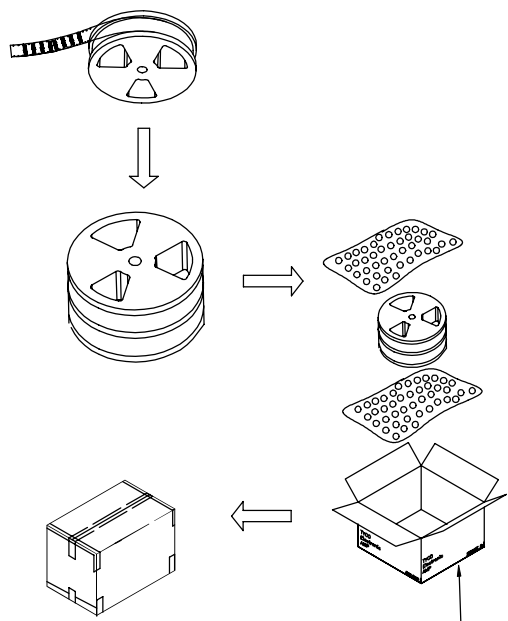
THIS DRAWING IS A CONTROLLED DOCUMENT.

DIMENSIONS: MM	TOLERANCES UNLESS OTHERWISE SPECIFIED:	DWN S. CHIEN 06JAN2009	<p>TE Connectivity</p> <p>HPI CONN., 2.0MM PITCH, V/T, SMT TYPE</p>
	0 PLC ±	CHK S. CHIEN 06JAN2009	
	1 PLC ±0.25	APVD W. KODAMA 06JAN2009	
	2 PLC ±0.15	PRODUCT SPEC	
MATERIAL	FINISH	QUALIFICATION TEST REPORT	RESTRICTED TO
SEE NOTE	SEE NOTE	501-57058	SIZE A3
		WEIGHT - GRAMS	CAGE CODE 00779
		CUSTOMER DRAWING	DRAWING NO. C-1775470
			SCALE
			SHEET 1 of 4
			REV B1

REVISIONS				DATE	DWN	APVD
P	LTR	DESCRIPTION				
		SEE SHEET 1.				

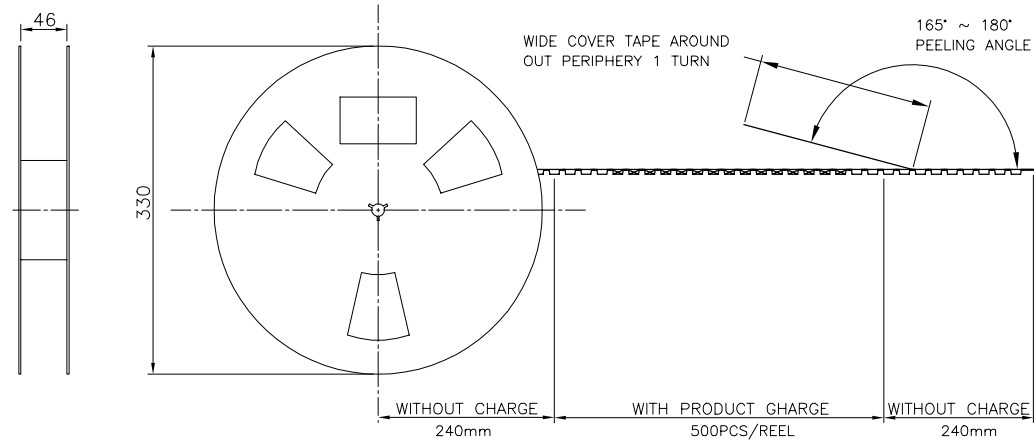


FOR 2~6PIN

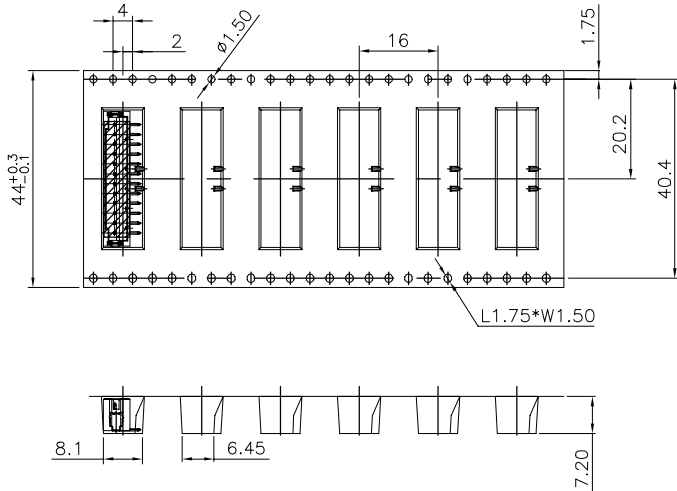
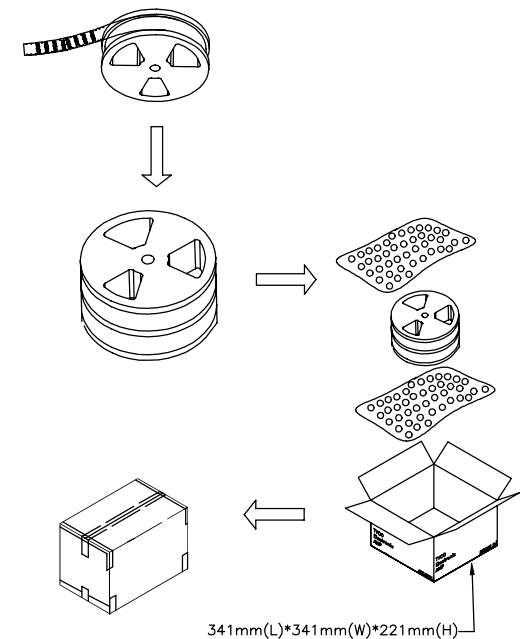


PCS/CARTON	PCS/REEL	POS	PART NUMBER
2,500	500	2P	4-1775470-2
2,500	500	6P	2-1775470-6
2,500	500	5P	2-1775470-5
2,500	500	4P	2-1775470-4
2,500	500	3P	2-1775470-3
2,500	500	2P	2-1775470-2
2,500	500	6P	1775470-6
2,500	500	5P	1775470-5
2,500	500	4P	1775470-4
2,500	500	3P	1775470-3
2,500	500	2P	1775470-2

THIS DRAWING IS A CONTROLLED DOCUMENT.		DWN	TE Connectivity HPI CONN., 2.0MM PITCH, V/T, SMT TYPE		
DIMENSIONS: MM		CHK			
TOLERANCES UNLESS OTHERWISE SPECIFIED:		APVD			
0 PLC ± - 1 PLC ± - 2 PLC ± - 3 PLC ± - 4 PLC ± - ANGLES ± -		PRODUCT SPEC			
MATERIAL		WEIGHT	NAME	SIZE	CAGE CODE
FINISH		CUSTOMER DRAWING	DRAWING NO	A3	00779
		SCALE	RESTRICTED TO	©=1775470	
		SHEET	2 of 4	REV	B1



FOR 7~12PIN



PCS/CARTON	PCS/REEL	POS	PART NUMBER
2,000	500	12P	3-1775470-2
2,000	500	11P	3-1775470-1
2,000	500	10P	3-1775470-0
2,000	500	9P	2-1775470-9
2,000	500	8P	2-1775470-8
2,000	500	7P	2-1775470-7
2,000	500	12P	1-1775470-2
2,000	500	11P	1-1775470-1
2,000	500	10P	1-1775470-0
2,000	500	9P	1775470-9
2,000	500	8P	1775470-8
2,000	500	7P	1775470-7

THIS DRAWING IS A CONTROLLED DOCUMENT.		DWN
DIMENSIONS: MM		CHK
TOLERANCES UNLESS OTHERWISE SPECIFIED:		APVD
0 PLC	± -	PRODUCT SPEC
1 PLC	± -	APPLICATION SPEC
2 PLC	± -	WEIGHT
3 PLC	± -	CUSTOMER DRAWING
4 PLC	± -	SCALE
ANGLES	± -	SHEET
MATERIAL	FINISH	REV

TE TE Connectivity

HPI CONN., 2.0MM PITCH, V/T, SMT TYPE

SIZE: A3 CAGE CODE: 00779 DRAWING NO: 1775470 RESTRICTED TO: -

SHEET 3 of 4 REV B1

4

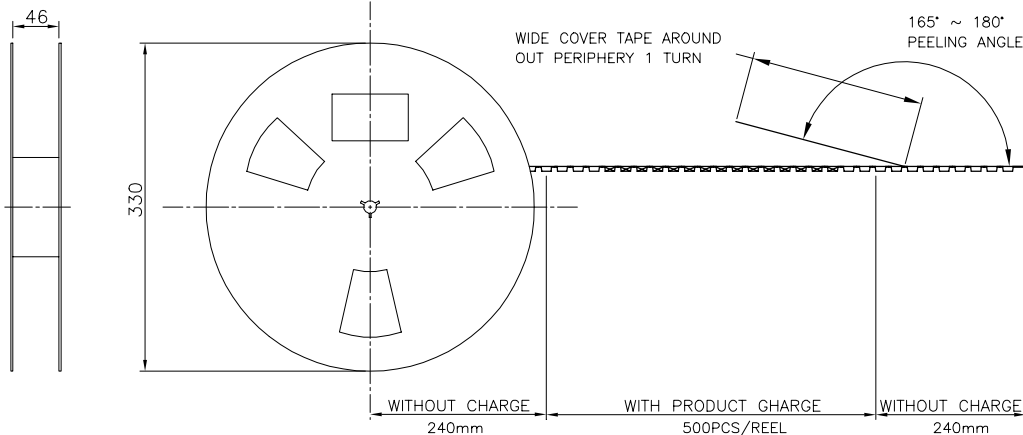
3

2

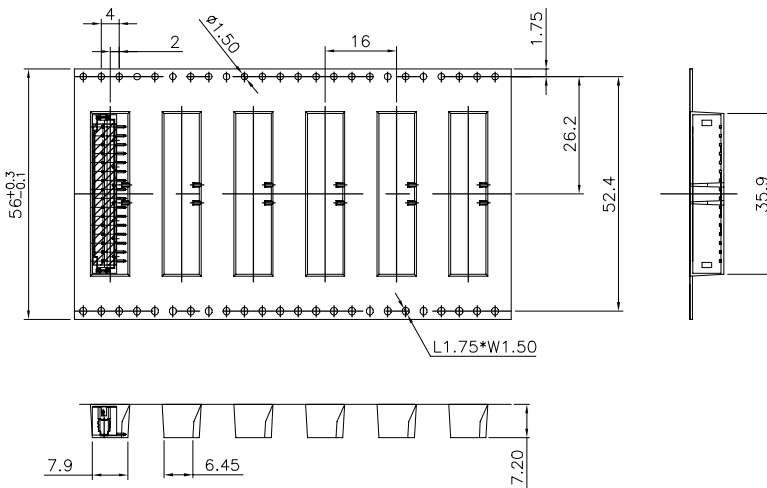
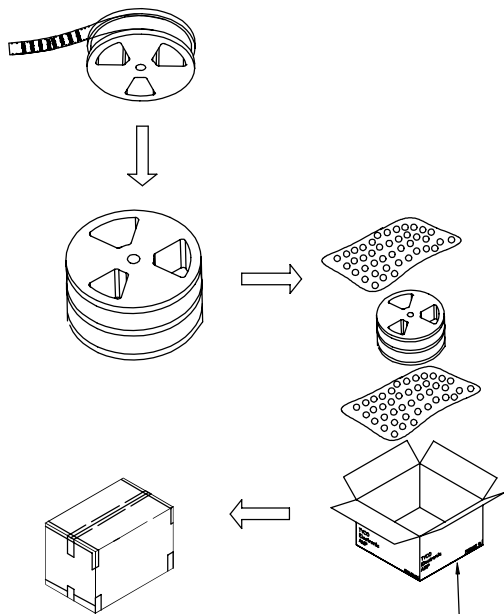
1

THIS DRAWING IS UNPUBLISHED. RELEASED FOR PUBLICATION AUG. 2006.
 © COPYRIGHT BY TYCO ELECTRONICS CORPORATION. ALL RIGHTS RESERVED.

LOC	DIST	REVISIONS					
DW		P	LTR	DESCRIPTION	DATE	DWN	APVD
				SEE SHEET 1.			



FOR 13~16PIN



PCS/CARTON	PCS/REEL	POS	PART NUMBER
1,500	500	16P	3-1775470-6
1,500	500	15P	3-1775470-5
1,500	500	14P	3-1775470-4
1,500	500	13P	3-1775470-3
1,500	500	16P	1-1775470-6
1,500	500	15P	1-1775470-5
1,500	500	14P	1-1775470-4
1,500	500	13P	1-1775470-3

THIS DRAWING IS A CONTROLLED DOCUMENT.		DWN	 TE Connectivity HPI CONN., 2.0MM PITCH, V/T, SMT TYPE	
DIMENSIONS: MM		CHK		
TOLERANCES UNLESS OTHERWISE SPECIFIED:		APVD		
0 PLC ± - 1 PLC ± - 2 PLC ± - 3 PLC ± - 4 PLC ± - ANGLES ± -		PRODUCT SPEC		
MATERIAL		FINISH	APPLICATION SPEC	NAME
		WEIGHT	SIZE	CAGE CODE
		CUSTOMER DRAWING	A3	00779
		SCALE	DRAWING NO	RESTRICTED TO
		SHEET	©=1775470	
		4 of 4		REV B1