

THIS DRAWING IS UNPUBLISHED.

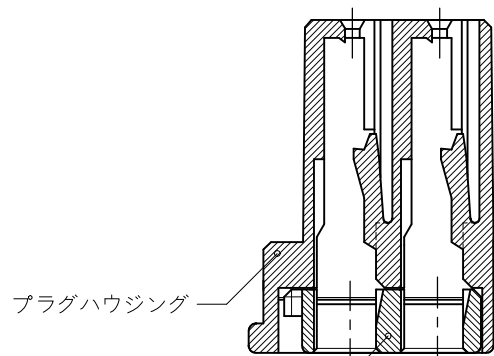
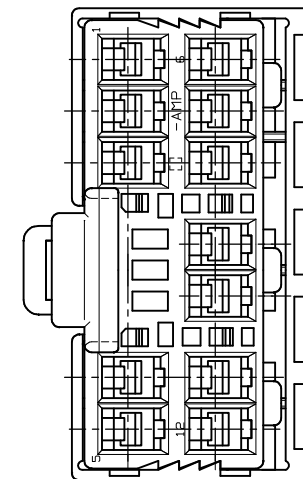
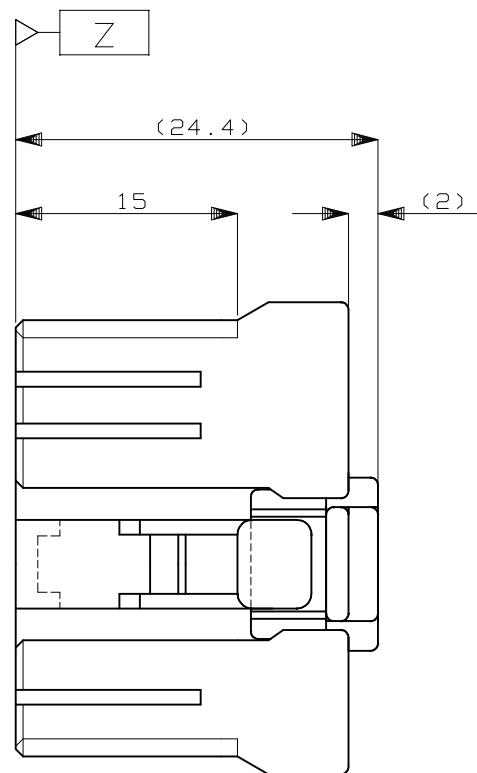
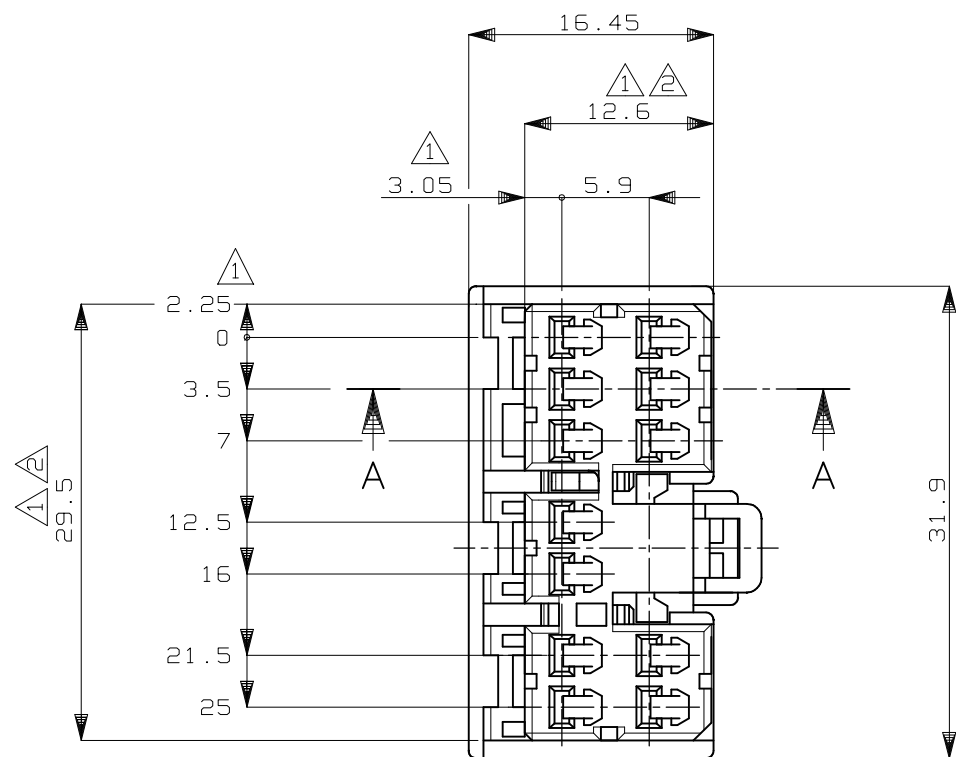
RELEASED FOR PUBLICATION

© COPYRIGHT - TE Connectivity Ltd.

ALL RIGHTS RESERVED.

REVISIONS

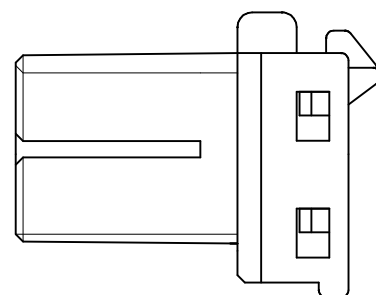
P	LTR	DESCRIPTION	DATE	DWN	APVD
	A1	REDRAWN W/O CHANGE ECR-18-009049	12JUN2018	TS	HY



プラグハウジング

ダブルロックプレート

断面 A-A
(SECT. A-A)



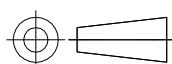
- 1. [-Z-] 面より2mmの範囲で測定。
 - 2. 相手ハウジングと所定の機能を満足して嵌合できること。
 - 3. 内装するリセパクルコンタクト型番：173630 173631。
 - 4. 製品規格番号：108-5312
- 1. TO BE MEASURED BETWEEN [-Z-] AND 2.
 - 2. TO BE MATE WITH CAP HOUSING SMOOTHLY.
 - 3. APPLIED TAB CONTACT PART NUMBER：173630 AND 173631.
 - 4. PRODUCT SPECIFICATION NUMBER：108-5312

TOLERANCE UNLESS OTHERWISE SPECIFIED:
一般公差

0 < x ≤ 10	: ±0.2
10 < x ≤ 30	: ±0.25
30 < x ≤ 100	: ±0.3
ANGLE 角度	: ±3°

THIS DRAWING IS A CONTROLLED DOCUMENT.

DIMENSIONS: mm



MATERIAL PBT

TOLERANCES UNLESS OTHERWISE SPECIFIED:

0 PLC	± -
1 PLC	± -
2 PLC	± -
3 PLC	± -
4 PLC	± -
ANGLES	± -

FINISH -

DWN Y.KAKITANI 12/3'90

CHK Y.MATSUSAKA 12/11'90

APVD M.NOGUCHI 12/11'90

PRODUCT SPEC

APPLICATION SPEC

SEE NOTE 4

WEIGHT 5.9 g

CUSTOMER DRAWING

色 (COLOR)	名称 (NAME)	型番 (PART NUMBER)
オレンジ (ORANGE)	12極 プラグハウジング (12Pos. PLUG HOUSING)	176116-8
灰 (GRAY)	12極 プラグハウジング (12Pos. PLUG HOUSING)	176116-6
青 (BLUE)	12極 プラグハウジング (12Pos. PLUG HOUSING)	176116-5

STE TE Connectivity Ltd.

NAME
070 SERIES MULTILOCK I/O CONNECTOR MK-II
12POSITION PLUG HOUSING

SIZE	CAGE CODE	DRAWING NO	RESTRICTED TO
A3	00779	C=176116	-
SCALE 2:1		SHEET 1 OF 1	REV A1