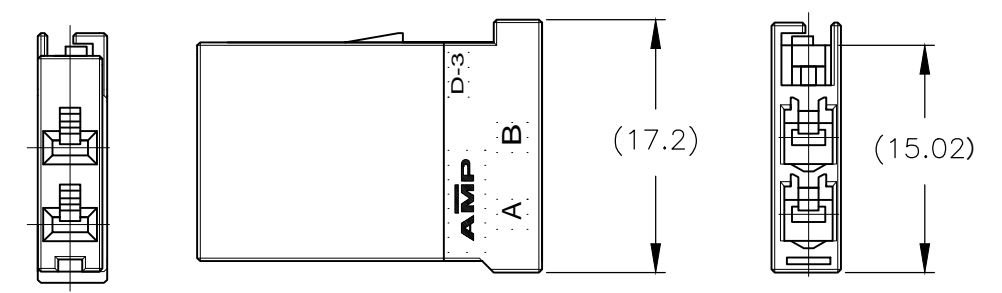
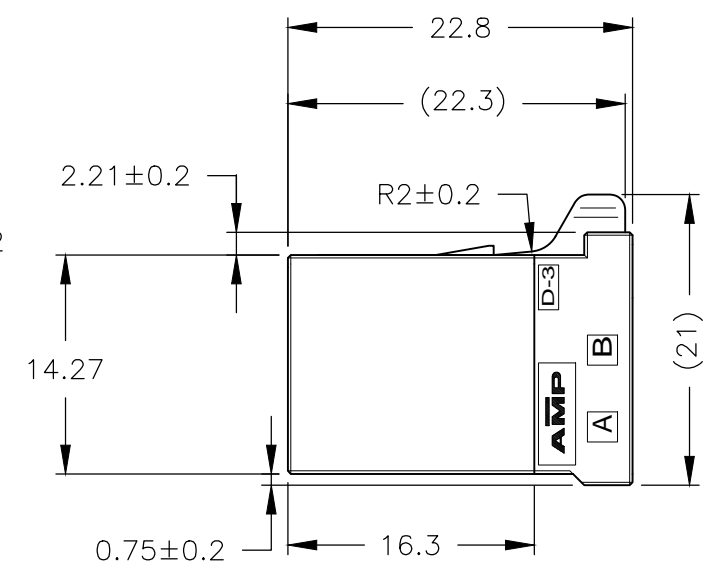
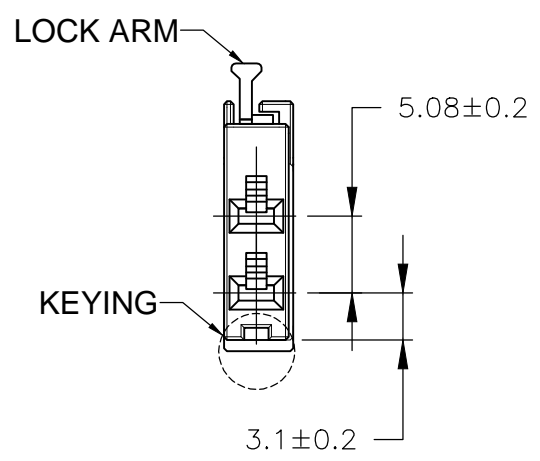
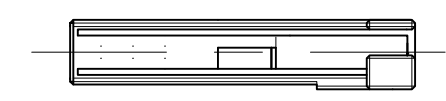
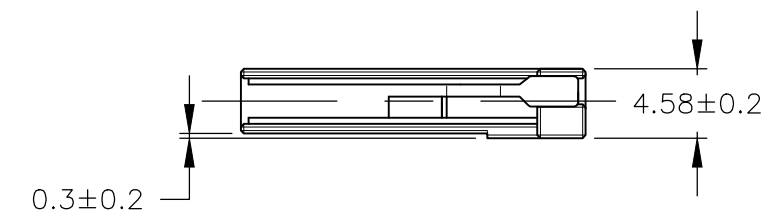
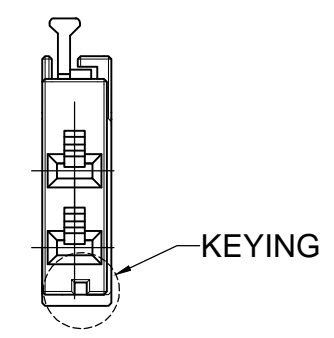
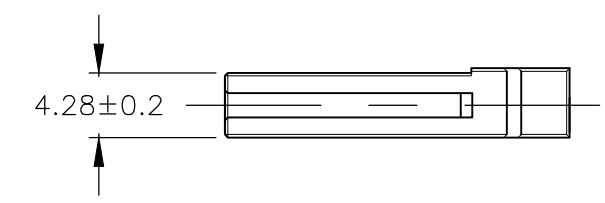


THIS DRAWING IS UNPUBLISHED. RELEASED FOR PUBLICATION
 © COPYRIGHT - TE Connectivity Ltd. ALL RIGHTS RESERVED.

REVISIONS					
P	LTR	DESCRIPTION	DATE	DWN	APVD
E		REVISED PER ECR-19-012746	14AUG2019	T.S	E.I



175362-2:AS SHOWN
 LOCK ARM: W/O



175362-3:AS SHOWN
 KEYING: Y

175362-1:AS SHOWN
 KEYING:X
 LOCK ARM:WITH

1.MATERIAL:GALSS FIELD THERMO PLASTIC POLYESTER
 2.QUALIFICATION TEST REPORT:501-5013

LOCK ARM	COLOR	KEYING	PART NUMBER
WITH	BLUE	X	2-175362-1
WITH	NATURAL	X	1-175362-1
WITH	BLACK	Y	175362-3
W/O	BLACK	X	175362-2
WITH	BLACK	X	175362-1

THIS DRAWING IS A CONTROLLED DOCUMENT.		DWN T.YONEBAYASHI 18MAR1992	TE Connectivity		
DIMENSIONS: mm		CHK S.MANABE 07APL1992			
TOLERANCES UNLESS OTHERWISE SPECIFIED:		APVD S.MANABE 07APL1992	NAME DYNAMIC D3500 RECEPTACLE HOUSING 2POSN		
		PRODUCT SPEC 108-5349	SIZE A3		
MATERIAL		APPLICATION SPEC	CAGE CODE 00779	DRAWING NO C-175362	RESTRICTED TO
FINISH		WEIGHT 0	SCALE 2:1		
		CUSTOMER DRAWING		SHEET 1 OF 1	REV E