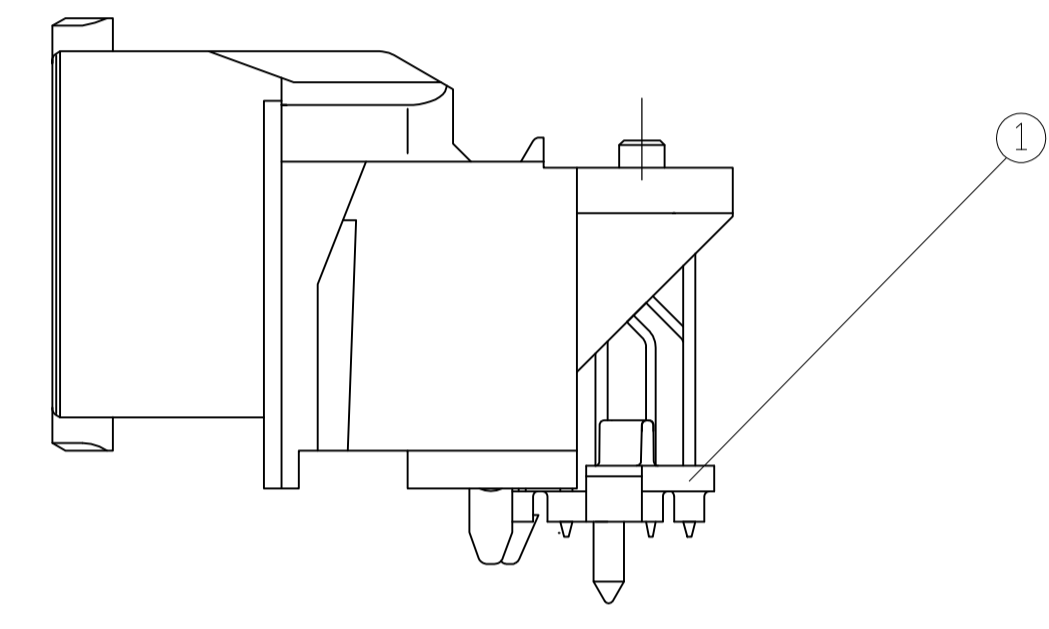
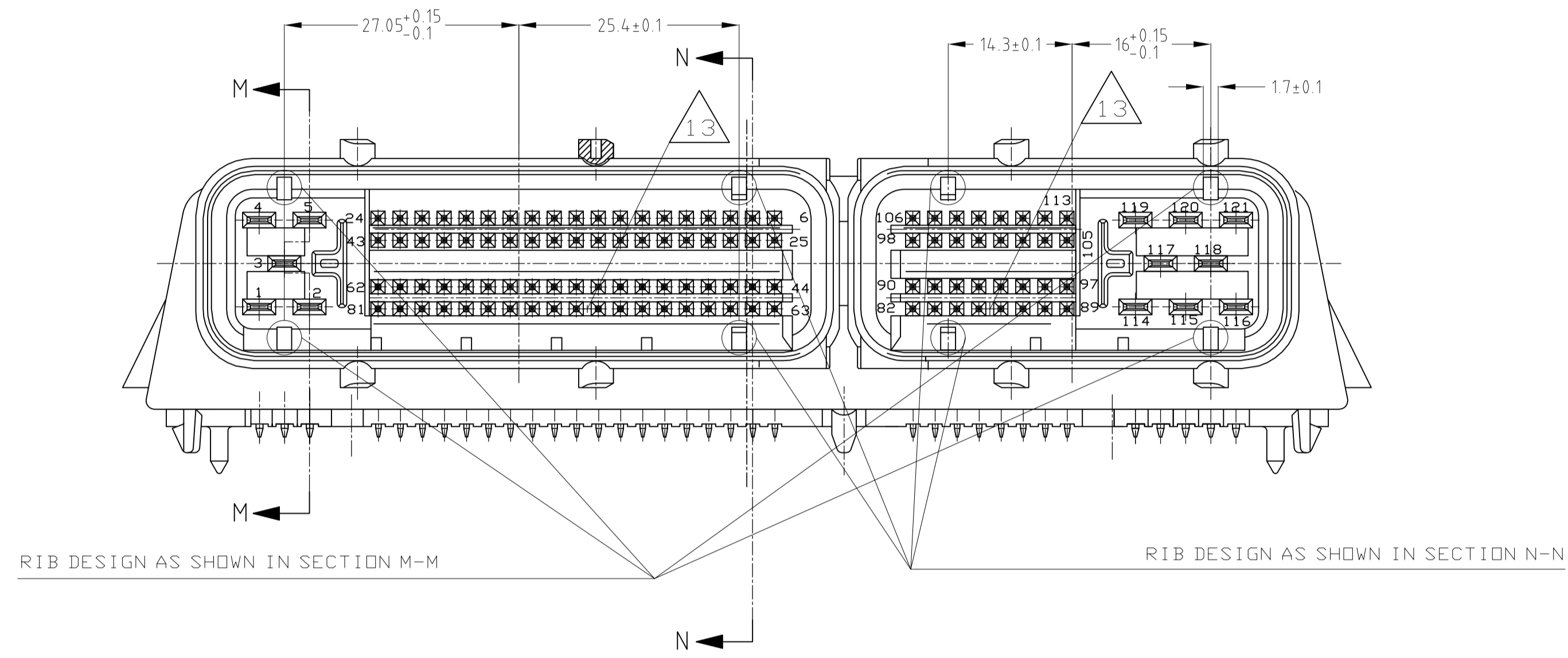


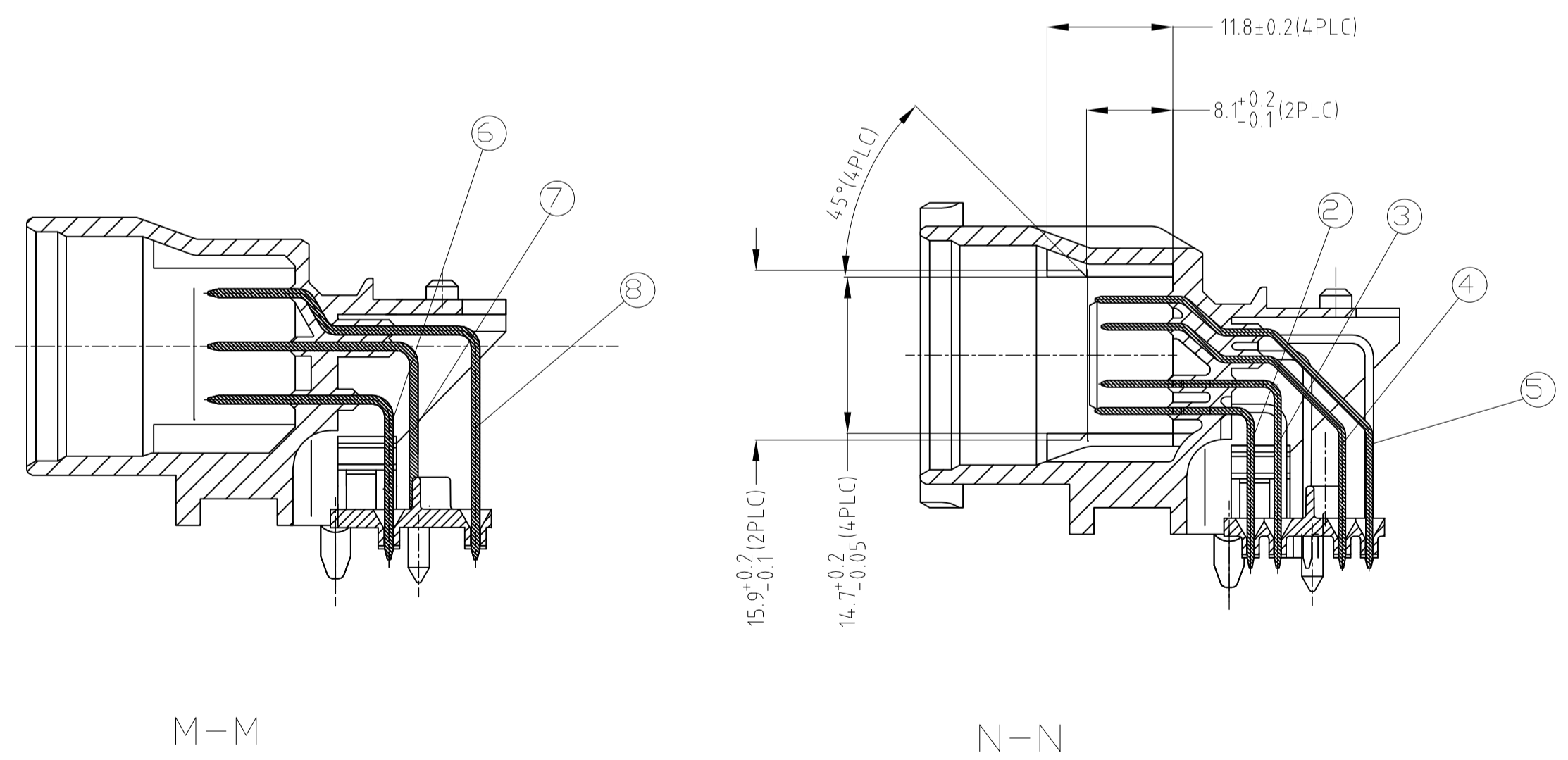
REVISIONS				
P	LTR	DESCRIPTION	DATE	APPV
-	-	SEE SHEET 1	-	-

1746979-1 CODING A
AS SHOWN
SHOWN WITHOUT CENTERPLATE



RIB DESIGN AS SHOWN IN SECTION M-M

RIB DESIGN AS SHOWN IN SECTION N-N



M-M

N-N

14

PIN-/TAB-HEADER	SUITABLE-RECEPTACLE-HOUSINGS	
	40 POSN. TE-PART-NO.	81 POSN. TE-PART-NO.
1746979-1	1473252-1	1473244-1
1746979-1	368383-1	368376-1

REVISION CODING	Q	Q
1746979-1	A	A

ORDER-NO	PART-NO	ITEM NO	QTY.	SINGLE-PART-NO	REV.	SINGLEPART	DESCR.	MATERIAL
X	X	8	5	1743145-6	B	TAB 2. 8X0. 8; LONG		CuSn 6
X	X	7	3	1743145-4	C	TAB 2. 8X0. 8; MIDDLE		CuSn 6
X	X	6	5	1743145-2	C	TAB 2. 8X0. 8; SHORT		CuSn 6
X	X	5	27	1-1743233-2	B	PIN 00. 63 ; LONGEST		CuSn 6
X	X	4	27	1-1743233-1	B	PIN 00. 63 ; LONG		CuSn 6
X	X	3	27	1743187-4	D	PIN 00. 63 ; MIDDLE		CuSn 6
X	X	2	27	1743187-3	D	PIN 00. 63 ; SHORT		CuSn 6
X		1	1	1746995	D	CENTER-PLATE		PBT GF. 30

THIS DRAWING IS A CONTROLLED DOCUMENT.

WIRE RANGE: 符合國際標準規格 INSULATION DIA: 符合國際標準規格

DIMENSIONS: 單位: 毫米 TOLERANCES UNLESS OTHERWISE SPECIFIED: 一般公差

0 PLC ± 0.15
1 PLC ± 0.15
2 PLC ± 0.15
3 PLC ± 0.15
4 PLC ± 0.15
ANGLES ± 0.5

MATERIAL: 材料 FINISH: 柱上

TOLERANCES UNLESS OTHERWISE SPECIFIED: 一般公差
n. ISO 8015
n. ISO 2768 - mH - E
n. DIN 16901 - 140
ANGLE: 12°

APPROVED: D. MATSUJURA, T. KOHNO, K. SHIMIZU
NAME: K. SHIMIZU
PRODUCT SPEC: 製品規格
APPLICATION SPEC: 取付適用規格

SIZE: A1 CAGE CODE: 00779 DRAWING NO: 1746979 RESTRICTED TO: -
WEIGHT: 73g SCALE: 2:1 SHEET: 2 OF 2 REV: B3

CUSTOMER DRAWING