

THIS DRAWING IS UNPUBLISHED. RELEASED FOR PUBLICATION 20
 © COPYRIGHT 20 BY TYCO ELECTRONICS CORPORATION. ALL RIGHTS RESERVED.

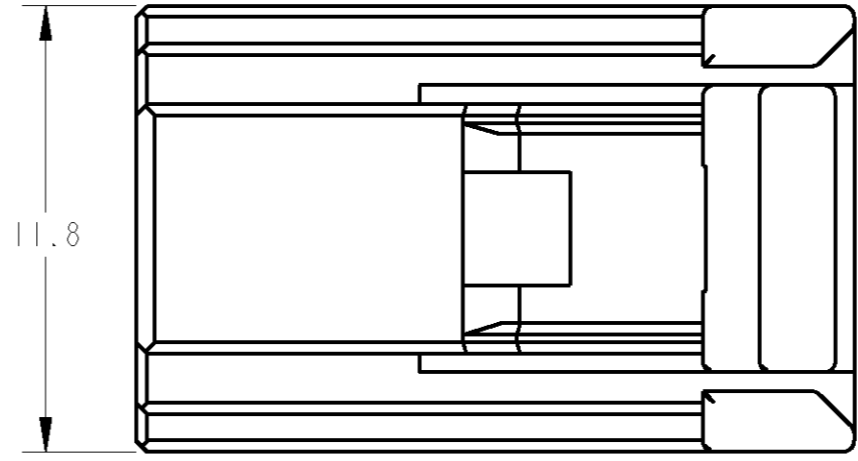
LOC	DIST	REVISIONS						
		P	LTR	DESCRIPTION	ECN	DATE	DWN	APVD
J	-		A	RELEASED		3FEB2005	YS	YF
			B	REVISED	ECR-10-019333	07OCT10	TS	KB

2 TABLE-1

POS. 極数	CAP HOUSING ASSY キャップハウジングアセンブリ
	P/N
4	1746909-1

3 TABLE-2

	FINISH 仕上	RECEPTACLE CONTACT P/N	APPLICABLE WIRE RANGE 適用電線
SIGNAL 0.64	TIN	1674311-1	CAVS/CAVUS 0.3~0.5mm ² AVSSH/AVSS/AESSX/ 0.3~0.5mm ²



1 DOUBLE LOCK SHOULD BE SET TO THE PRE-ASSEMBLY POSITION WITHIN THE PLUG HOUSING WHEN SHIPPED TO THE CUSTOMER.

2 CAP HOUSING ASSY TO BE MATED ; SEE TABLE-1

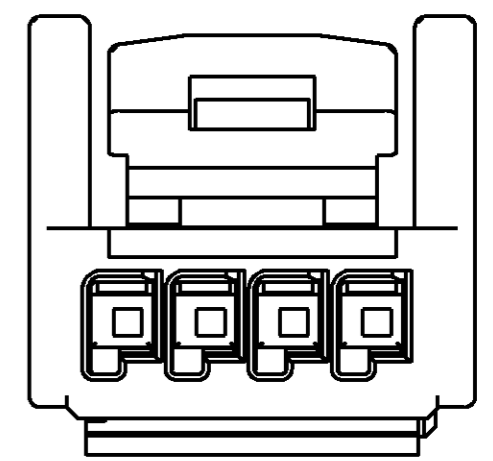
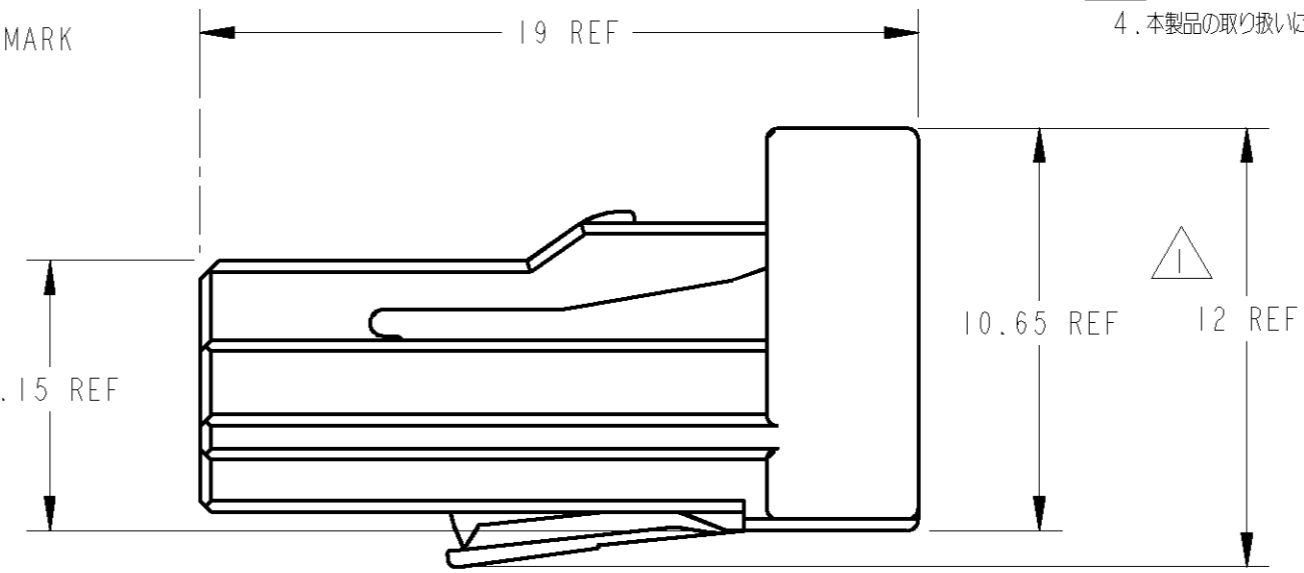
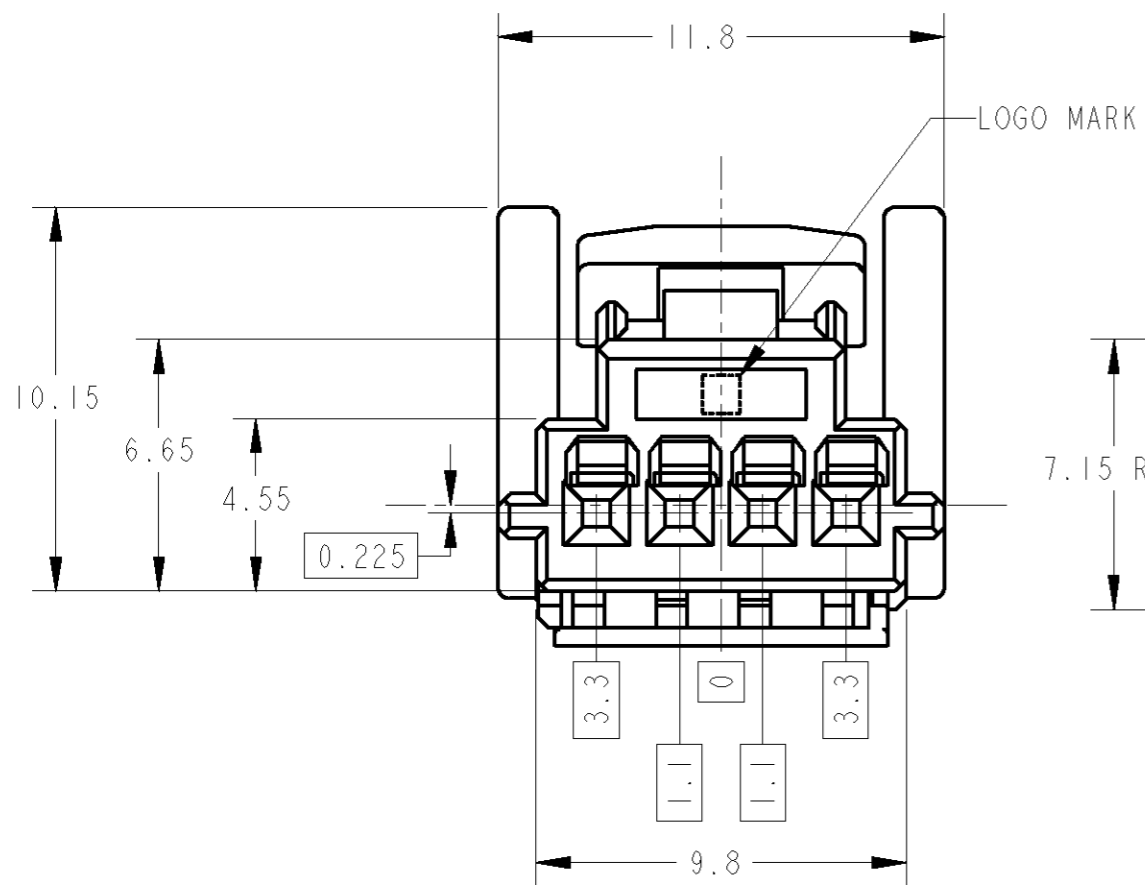
3 DETAILS OF TERMINAL TO BE MATED ; SEE TABLE-2
 4. AS FOR THE HANDLING OF THIS PRODUCT, FOLLOW THE INSTRUCTION SHEET No. 411-78184

-1; AS SHOWN
 -1; 本図

1 ダブルロックは、仮係止状態で出荷される。

2 嵌合相手アセンブリ型番 ; TABLE-1 参照
 キャップアセンブリと支障なく嵌合、離脱できること。

3 嵌合相手端子構成 ; TABLE-2 参照
 4. 本製品の取り扱いについては、取扱説明書No. 411-78184



THIS DRAWING IS A CONTROLLED DOCUMENT FOR TYCO ELECTRONICS CORPORATION IT IS SUBJECT TO CHANGE AND THE CONTROLLING ENGINEERING ORGANIZATION SHOULD BE CONTACTED FOR THE LATEST REVISION.		DWN Y. SAKURAI 14JAN2005	Tyco Electronics Corporation Kawasaki, Japan	
DIMENSIONS: 単位: 概 mm		CHK Y. NOGUCHI 14JAN2005	NAME 名称 PLUG HOUSING ASSY 4POSITION 0.64111 SERIES I/O CONNECTOR	
TOLERANCES UNLESS OTHERWISE SPECIFIED: 一般公差 ±0.3 φ PLC ± 1 PLC ±0.5 2 PLC ±0.13 3 PLC ±0.013 4 PLC ±0.001 ANGLES ±3		APVD Y. FUJIWARA 14JAN2005	PRODUCT SPEC 製品規格 108-78247	
MATERIAL 材料 PBT		FINISH 仕上 BLACK	APPLICATION SPEC 取付適用規格 114-5329	RESTRICTED TO -
CUSTOMER DRAWING		WEIGHT 1.2g	SIZE A3	CAGE CODE 00779
		DRAWING NO C=1746911	SCALE 尺度 5:1	
		SHEET 1		OF 1
		REV B		