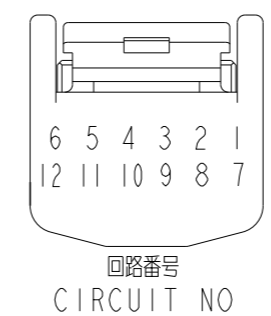
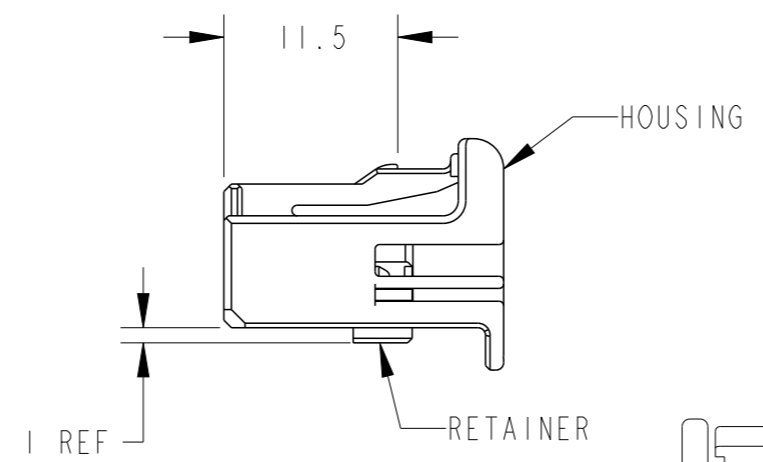
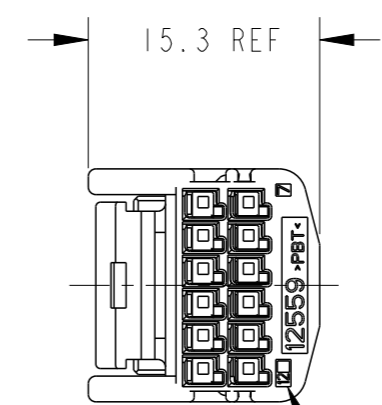
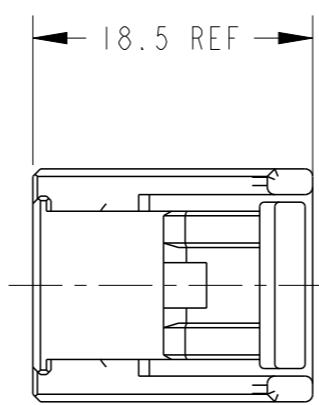
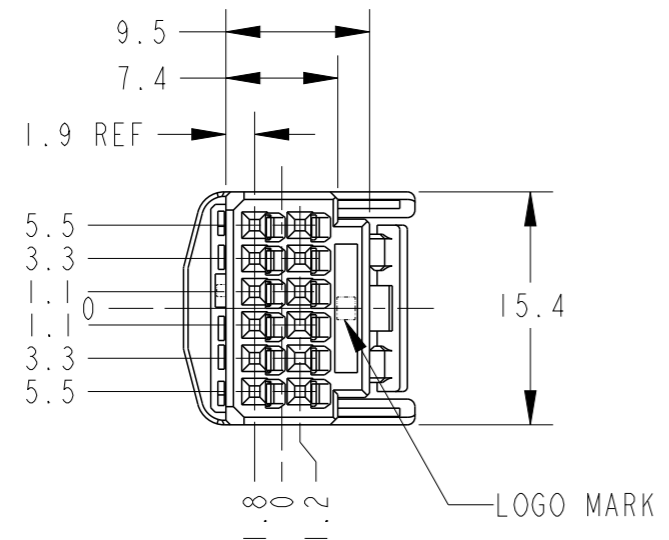


REVISIONS  
変更

P	LTR	DESCRIPTION	ECN	DATE	DWN	APVD
	02	REVISED	ECR-06-018044	28JUL06	KF	HY
	A	REVISED	ECR-10-007503	21APR10	TS	KB
	A1	REVISED	ECR-22-147888	01AUG2022	TM	TM
	A2	REVISED	ECR-23-168959	13MAR2023	AY	KK



1. RETAINER SHOULD BE PRE-ASSEMBLED CONDITION TO HOUSING.
2. INSTRUCTION SHEET NO.411-78080.
3. PART NUMBER OF CAP HOUSING TO BE MATED : SEE TABLE-1
4. APPLIED TERMINALS : SEE TABLE-2

1. プラグハウジングにリテーナを仮係止して出荷される
2. 取扱説明書NO.411-78080
3. 嵌合相手型番 : TABLE-1参照
4. 適用端子 : TABLE-2参照

TABLE-1

POS 極数	CAP ASSEMBLY PART NO. キャップ番号
12	1318772

TABLE-2

	TERMINAL NO. 端子型番	APPLICABLE WIRE RANGE 適用電線
SIGNAL 0.64111	1674311-X	AVSS/CAVS/CAVUS/AVSSH-f 0.3~0.5mm <sup>2</sup>
	1674936-X	CAVS/CAVUS/CIVUS/CHFUS 0.22mm <sup>2</sup>
	1827483-X	CIVUS/CHFUS 0.13mm <sup>2</sup>

THIS DRAWING IS A CONTROLLED DOCUMENT.

DIMENSIONS: 単位: 概 mm	TOLERANCES UNLESS OTHERWISE SPECIFIED: 一般公差 ±0.3 0-PLC ± 1-PLC ± 2-PLC ± 3-PLC ± 4-PLC ± ANGLES ± 3°00'
MATERIAL 材料 PBT	FINISH 仕上 SEE TABLE

DWN Y. MITO	13AUG04
CHK H. YAMAGAMI	13AUG04
APVD S. ISOHATA	13AUG04
PRODUCT SPEC 製品規格	108-5931
APPLICATION SPEC 取付適用規格	114-5329
WEIGHT	1.92g

**STE** TE Connectivity

NAME  
名称 0.64111 CONNECTOR 2ROW  
12POSITION PLUG ASSEMBLY SHORT BODY

SIZE A3	CAGE CODE 00779	DRAWING NO 番号 C-1746872	RESTRICTED TO
------------	--------------------	----------------------------	---------------

CUSTOMER DRAWING      SCALE 2:1      SHEET 1 OF 1      REV A2