

THIS DRAWING IS UNPUBLISHED.

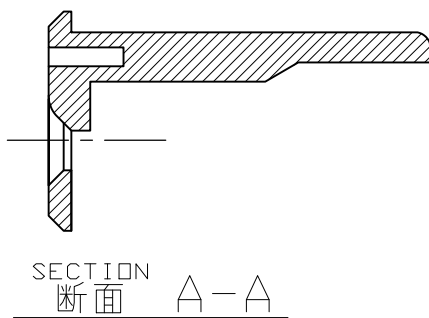
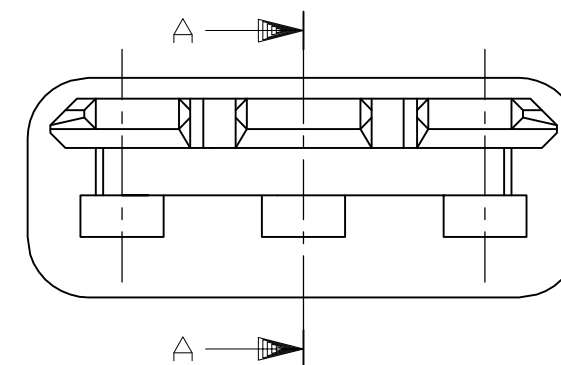
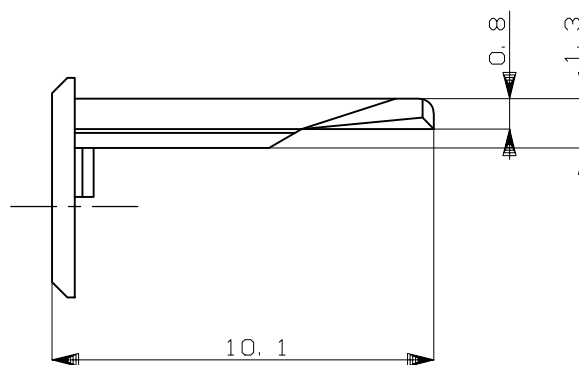
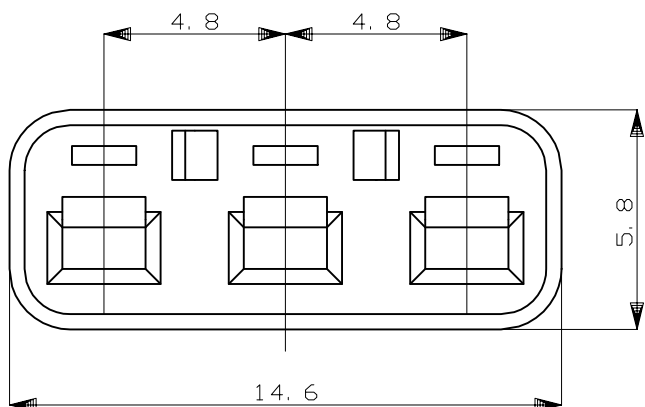
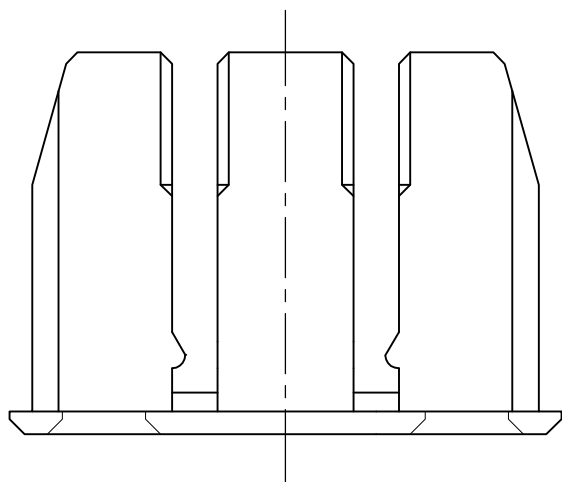
RELEASED FOR PUBLICATION

ALL RIGHTS RESERVED.

© COPYRIGHT - By -

REVISIONS


P	LTR	DESCRIPTION	DATE	DWN	APVD
	C2	REVISED	ECR-18-009736	22JUN2018	TS HY



1. 本品は、プラグハウジング型番174357及び2822390に装着される。

1. TO BE MATED WITH PLUG HOUSING PART NUMBER 174357 AND 2822390

HB	自然色 (NATURAL)	1-174358-1
V-2	黄 (YELLOW)	174358-7
使用材料難燃グレード (FLAMMABILITY OF MATERIAL)		色 (COLOR)
		型番 (PART NUMBER)

THIS DRAWING IS A CONTROLLED DOCUMENT.		DWN K.ODA 8/19'87	 TE Connectivity Ltd.		
DIMENSIONS: mm		CHK Y.MATSUSAKA 8/24'87			
TOLERANCES UNLESS OTHERWISE SPECIFIED:		APVD M.NOGUCHI 8/25'87	NAME 3P. ECONOSEAL J-MARKII+ CONNECTOR DOUBLE LOCK PLATE FOR PLUG HOUSING		
0 PLC ± - 1 PLC ± - 2 PLC ± - 3 PLC ± - 4 PLC ± - ANGLES ± -		PRODUCT SPEC 108-5262	SIZE A3		
MATERIAL PBT		FINISH -	APPLICATION SPEC -	CAGE CODE 00779	DRAWING NO C-174358
GENERAL TOLERANCE 0 < * ≤ 10 : ±0.2 10 < * ≤ 30 : ±0.25 30 < * ≤ 100 : ±0.3 ANGLES : ±3°		WEIGHT 0.19 g	RESTRICTED TO -		
CUSTOMER DRAWING			SCALE 5:1	SHEET 1 OF 1	REV C2