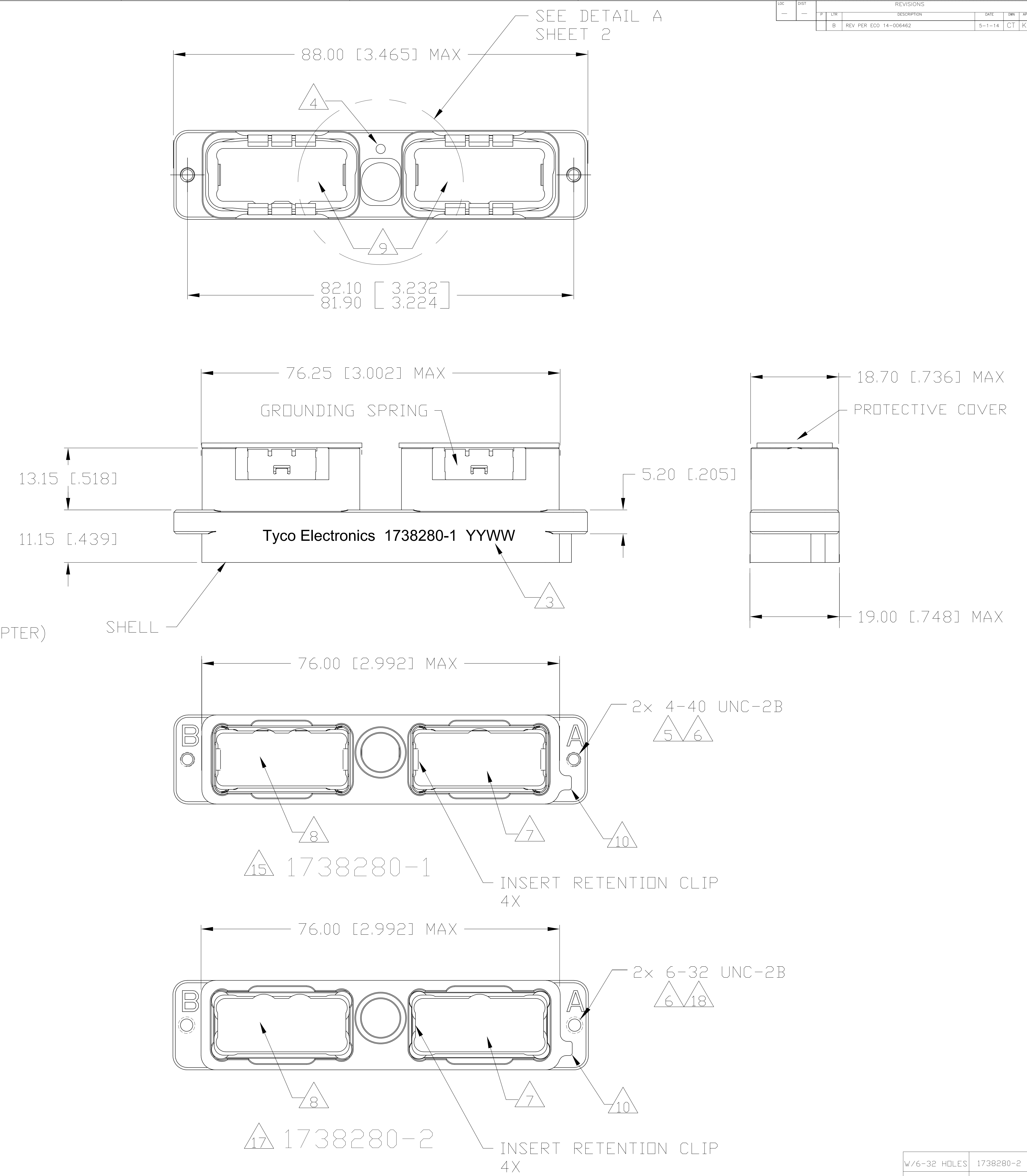


- 1 SHELL: ALUMINUM ALLOY 6061 T651  
INSERT RETENTION CLIP & GROUNDING SPRING: COPPER ALLOY PER ASTM B194  
JACKNUT & RETAINING NUT: STAINLESS STEEL PER AISI 316  
JACKNUT SPRING: STAINLESS STEEL PER AISI 302  
PROTECTIVE COVER: THERMOPLASTIC ELASTOMER
- 2 SHELL: ELECTROLESS NICKEL PER SAE AMS-C-26074, CLASS 1.  
GROUNDING SPRING: ELECTROLYTIC NICKEL PER SAE AMS-QQ-290.
- 3 PART TO BE MARKED WITH TYCO ELECTRONICS PRODUCT IDENTIFIER, PART NUMBER AND DATE CODE (YYWW) IN APPROX. AREA SHOWN.
- 4 INDEXING POINT FOR POLARIZATION.
- 5 4-40 SCREWS ARE REQUIRED FOR PANEL MOUNTING (NOT INCLUDED)  
RECOMMENDED TORQUE 1.1 N-m [10 in-lb] MIN
- 6 THREADED HOLES ARE SELF-LOCKING, HAVING THE SPIRALOCK THREAD FORM.  
SPIRALOCK IS A REGISTERED TRADEMARK OF SPIRALOCK CORPORATION.
- 7 SHELL CAVITY FOR GPRB SERIES INSERTS WITH KEYING CODE A.
- 8 SHELL CAVITY FOR GPRB SERIES INSERTS WITH KEYING CODE B.
- 9 PROTECTIVE COVERS NOT SHOWN FOR CLARITY.
- 10 POLARIZATION FEATURE TO PREVENT FRONT PANEL MOUNTING.
- 11 SCREW HEAD DIAMETER: 6.00 [.236] MAX.
- 12 THE JACKNUT AND RETAINING NUT ARE SHIPPED UNASSEMBLED.  
THE CUSTOMER SHALL APPLY LOCTITE<sup>®</sup> PRODUCT 272 THREADLOCKING ADHESIVE WHEN INSTALLING THESE ON THE SHELL ASSEMBLY. LOCTITE<sup>®</sup> IS A REGISTERED TRADEMARK OF LOCTITE CORPORATION.
- 13 A SPANNER WRENCH TOOL, TYCO ELECTRONICS P/N 1738220-1 (WITH 1/4-in ADAPTER) OR 1738221-1 (WITH T-HANDLE), IS USED TO LOCK THE RETAINING NUT.  
RECOMMENDED LOCKING TORQUE: 1.5 N-m [13 in-lb].
- 14. PITCH FOR SIDE-BY-SIDE MOUNTING: 19.50 [.768] MIN.
- 15 FOR 1738280-1  
DESCRIPTIVE PART NUMBER: GPRB2HL22N  
SERIES: GPRB  
SHELL SIZE: 2 (TWO-CAVITY SHELL)  
SHELL STYLE: H (RECEPTACLE WITH GROUNDING SPRINGS)  
MODIFICATION CODE: L (2x 4-40 UNC MOUNTING HOLES FOR REAR PANEL-MOUNTING)  
LOCKING & POLARIZING DEVICE: 2 (JACKNUT)  
POLARIZATION CODE: 2 (A-F JACKNUT HARDWARE SHIPPED UNASSEMBLED)  
SHELL PLATING: N (NICKEL PLATING)
- 16. THIS PRODUCT IS SOLD BY TYCO ELECTRONICS UNDER A LICENSE FROM RADIALL SA.
- 17 FOR 1738280-2  
DESCRIPTIVE PART NUMBER: GPRB2HF22N  
SERIES: GPRB  
SHELL SIZE: 2 (TWO-CAVITY SHELL)  
SHELL STYLE: H (RECEPTACLE WITH GROUNDING SPRINGS)  
MODIFICATION CODE: F (2x 6-32 UNC MOUNTING HOLES FOR REAR PANEL-MOUNTING)  
LOCKING & POLARIZING DEVICE: 2 (JACKNUT)  
POLARIZATION CODE: 2 (A-F JACKNUT HARDWARE SHIPPED UNASSEMBLED)  
SHELL PLATING: N (NICKEL PLATING)
- 18 6-32 SCREWS ARE REQUIRED FOR PANEL MOUNTING (NOT INCLUDED)  
RECOMMENDED TORQUE 1.6 N-m [14 in-lb] MIN



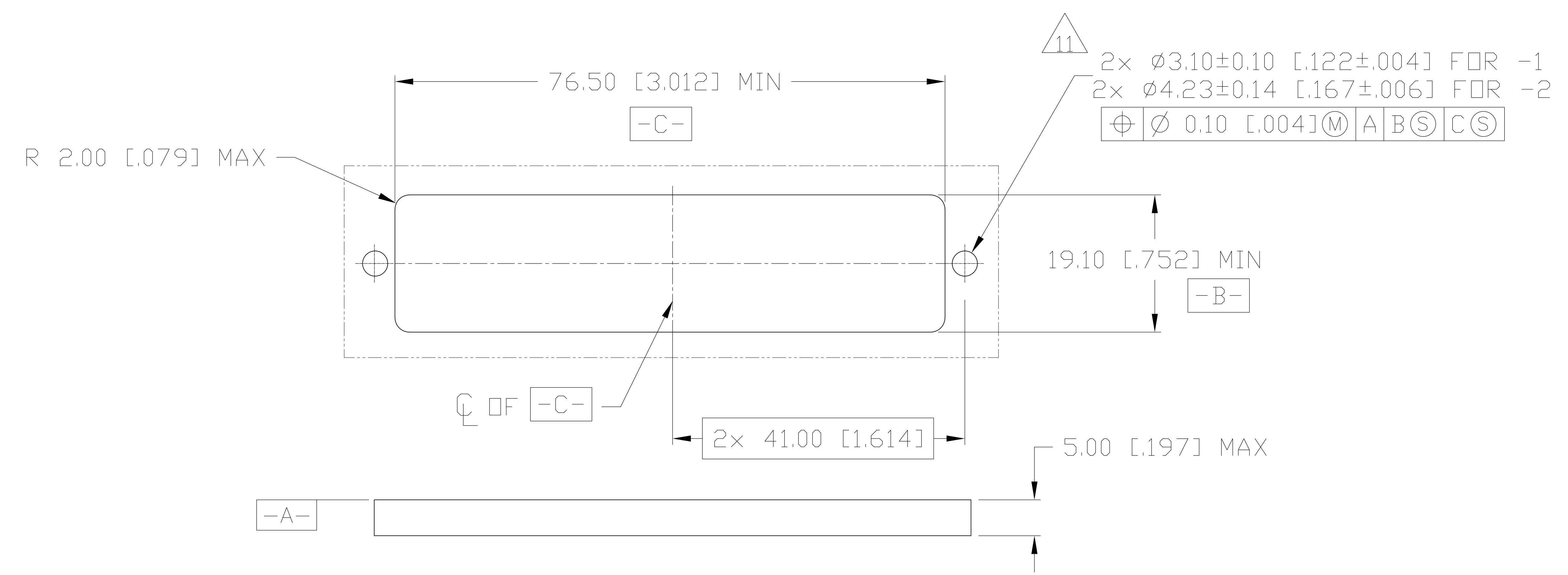
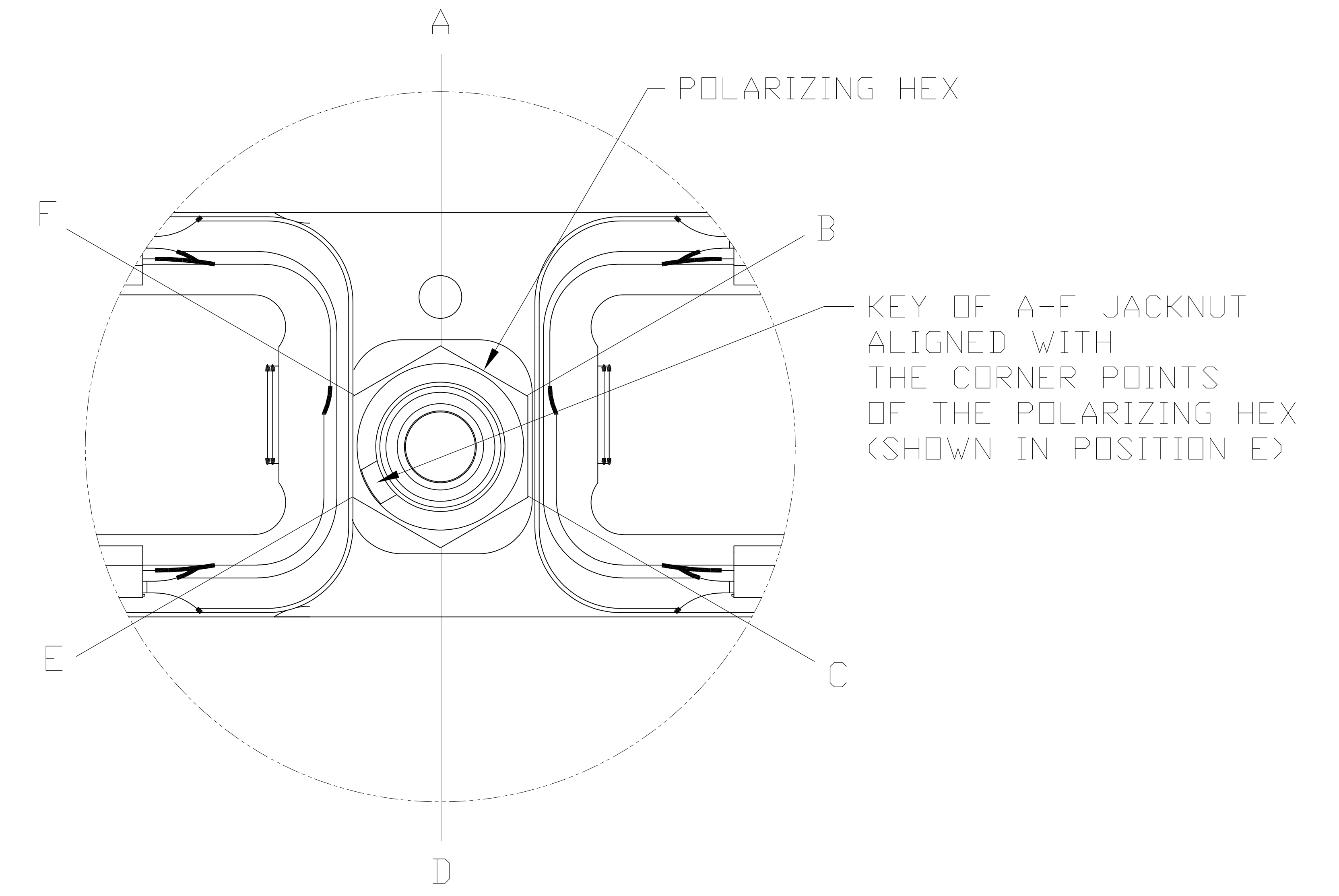
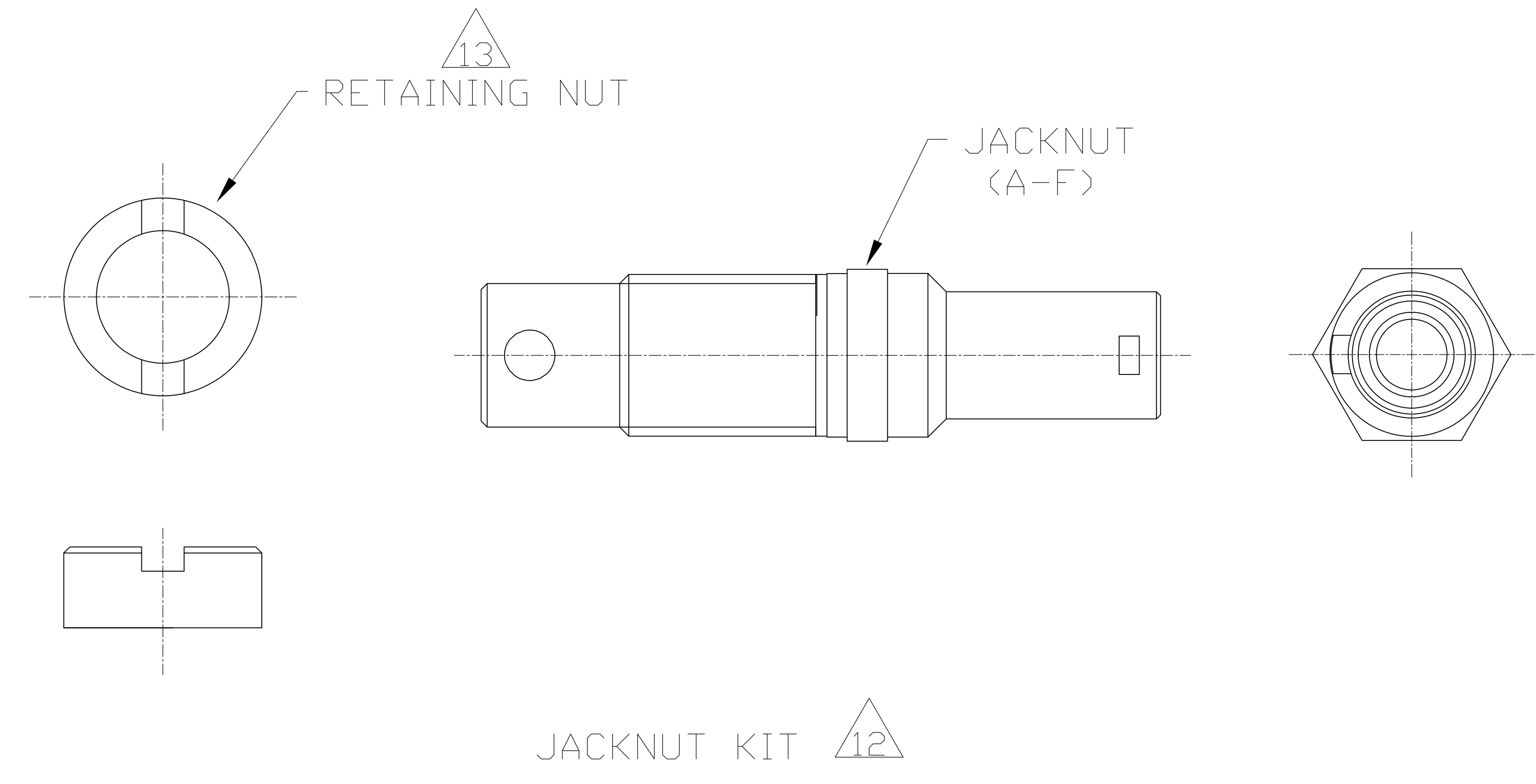
W/6-32 HOLES	1738280-2
W/4-40 HOLES	1738280-1
DESCRIPTION	PART NO.

THIS DRAWING IS A CONTROLLED DOCUMENT.		DATE: 05/14/2014	REV: 1
DESIGNER: J. MOSIER	DATE: 05/14/2014	REV: 1	APP'D: J. MOSIER
ENGINEER: J. MOSIER	DATE: 05/14/2014	REV: 1	APP'D: J. MOSIER
DRAWN: J. MOSIER	DATE: 05/14/2014	REV: 1	APP'D: J. MOSIER
CHECKED: J. MOSIER	DATE: 05/14/2014	REV: 1	APP'D: J. MOSIER
APPROVED: J. MOSIER	DATE: 05/14/2014	REV: 1	APP'D: J. MOSIER
MATERIAL: ALUMINUM ALLOY 6061 T651		FINISH: ELECTROLESS NICKEL	SCALE: 2:1
CUSTOMER DRAWING		SIZE: 1/2	SHEET: 1 OF 2
DRAWING NO: A000779		REV: B	REV: B

RECEPTACLE SHELL KIT, REAR PANEL MOUNT, WITH A-F JACKNUT, GPRB2

TE Connectivity

AUTO-CAD



THIS DRAWING IS A CONTROLLED DOCUMENT.		REV. 1	DATE	JUN 2022	 TE Connectivity
DESIGNED BY: J. FLAGG		DRW. NO.	JUN 2022		
CHECKED BY: J. MOSIER		APP'D.	JUN 2022	1999	RECEPTACLE SHELL KIT, REAR PANEL MOUNT, WITH A-F JACKNUT, GPRB2
DIMENSIONS: (UNLESS OTHERWISE SPECIFIED):		PRODUCT SPEC.			
MATERIAL: 1		FINISH: 2	WEIGHT:	SCALE: 2:1	
CUSTOMER DRAWING		SIZE: A0	DATE CODE: 00779	DRAWING NO: 1738280	RESTRICTED TO: B