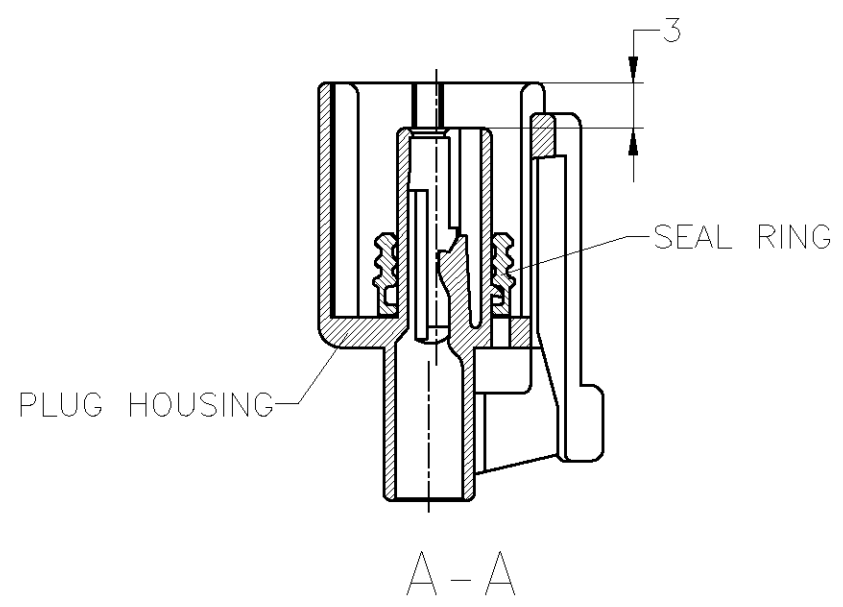
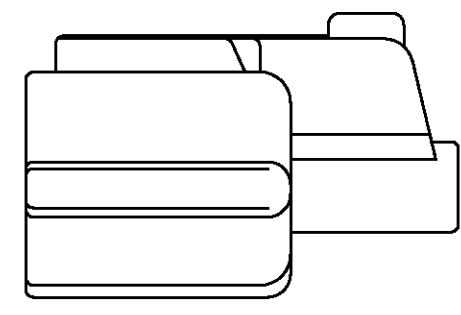
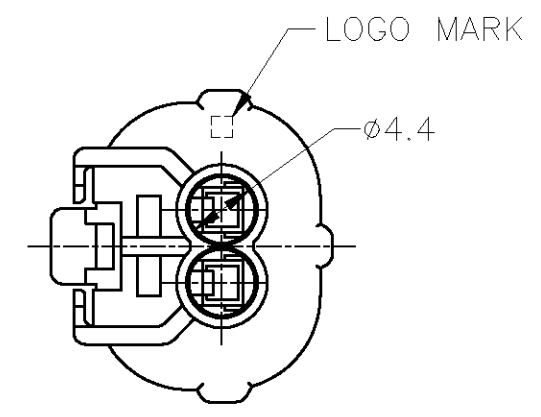
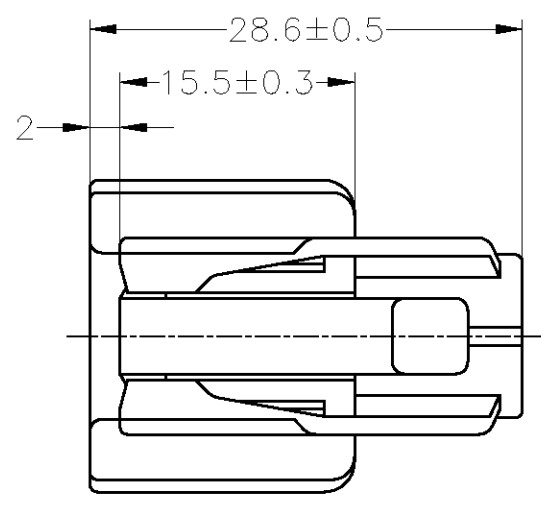
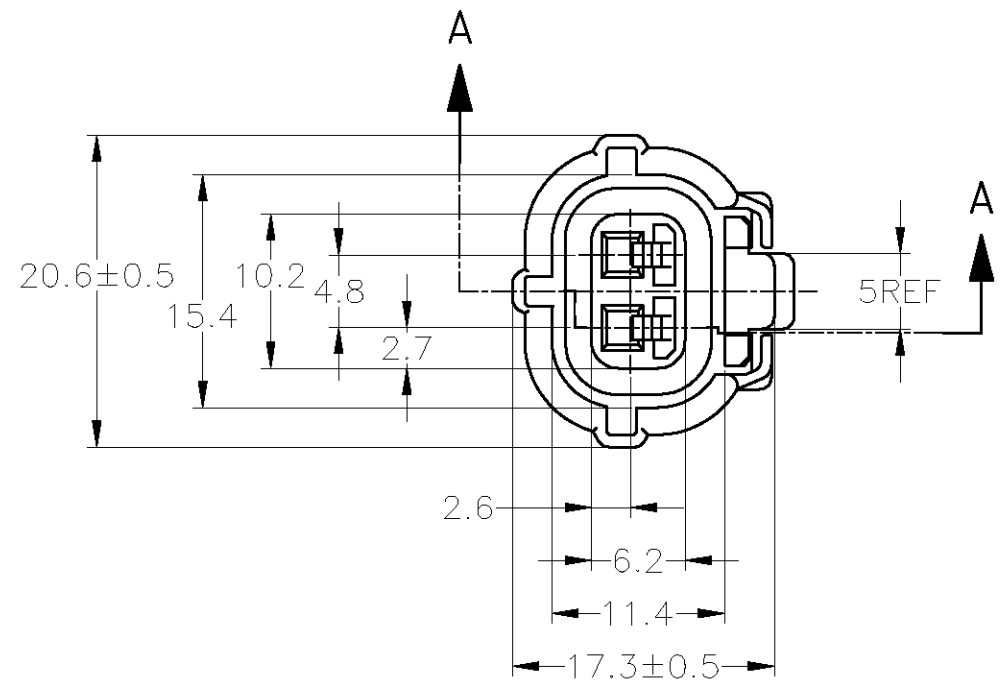


THIS DRAWING IS UNPUBLISHED. RELEASED FOR PUBLICATION
 © COPYRIGHT - By Tyco Electronics JAPAN G.K. ALL RIGHTS RESERVED.

LOC	DIST	REVISIONS			
P	LTR	DESCRIPTION	DATE	DWN	APVD
J	-	01 REDRAWN W/CHANGE	ECR-12-005049	19MAR2012	TS KB



- 1. 嵌合相手型番：173063
 - 2. 適用端子：171630, 171662
 - 3. 本品はプラグハウジング単体にシールリングがアッセンブリされたものである。
 - 4. 製品規格：108-5179
-
- 1. CAP HOUSING TO BE MATED: 173063
 - 2. APPLIED TERMINAL: 171630, 171662
 - 3. THIS PART IS COMPOSED OF PLUG HOUSING AND SEAL RING
 - 4. PRODUCT SPECIFICATION: 108-5179

BLACK	173090-2
COLOR	PART NUMBER

TOLERANCES UNLESS OTHERWISE SPECIFIED:

10 ≥	: ±0.2
30 ≥ > 10	: ±0.25
100 ≥ > 30	: ±0.3
ANGLE : ±3°	

THIS DRAWING IS A CONTROLLED DOCUMENT.		DWN T.SHINOHARA 19MAR2012		STE TE Connectivity	
DIMENSIONS: mm		CHK K.BETSUI 19MAR2012			
TOLERANCES UNLESS OTHERWISE SPECIFIED:		APVD K.BETSUI 19MAR2012		NAME	
0 PLC ± -		PRODUCT SPEC		2 POSITION PLUG HOUSING	
1 PLC ± -		108-5179		070 SERIES ECONOSEAL J-II	
2 PLC ± -		APPLICATION SPEC		SIZE CAGE CODE DRAWING NO RESTRICTED TO	
3 PLC ± -		-		A3 00779 C-173090	
4 PLC ± -		WEIGHT -		SCALE 2:1 SHEET 1 OF 1 REV 01	
ANGLES ± -		CUSTOMER DRAWING			
FINISH -		MATERIAL PBT			