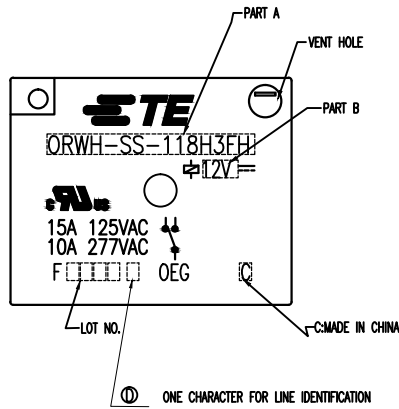
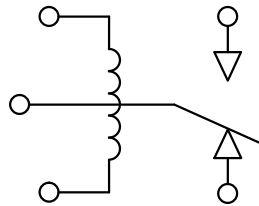


THIS DRAWING IS UNPUBLISHED. RELEASED FOR PUBLICATION  
 © COPYRIGHT ALL RIGHTS RESERVED.

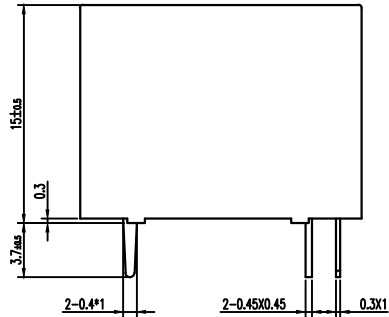
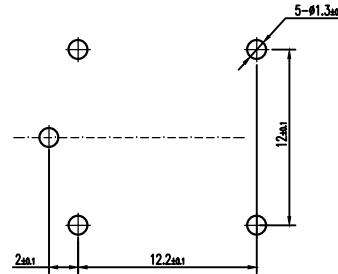
LOC		DIST		REVISIONS			
P	LTR	DESCRIPTION		DATE	DWN	APVD	
	A	RELEASE		29-MAY-14	Q.L	B.F	



CIRCUIT DIAGRAM (BOTTOM VIEW)

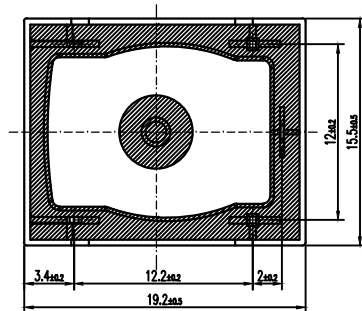


DRILLING DIAGRAM (BOTTOM VIEW)



NOTE

- LOT NO. SYSTEM AS FOLLOWING:
- TERMINAL DIMENSION IS NOT INCLUDING SOLDER TIP.
- FOR THE TIP-PLATING OF THE PINS  
 +0.1mm FOR WIDTH, THICKNESS AND DIAMETER.  
 +0.5mm FOR LENGTH.



GENERAL TOLERANCE

Diagram dimension	Tolerance
0.99mm max.	±0.1mm
1 - 2.99mm	±0.2mm
3mm min.	±0.3mm

DIMENSIONS: mm		TOLERANCES UNLESS OTHERWISE SPECIFIED:	
	±	0 PLC	±
	±	1 PLC	±
	±	2 PLC	±
	±	3 PLC	±
	±	4 PLC	±
MATERIAL		FINISH	
SEE MATERIAL TABLE			

	TORAY LUMIRROR	INSULATION SHEET	15	
	UV RESIN	UV SEAL(FOR SH)	14	
	EPOXY RESIN	SEAL	13	
CLASS 155 F	MW79	MAGNETIC WIRE	12	
	HCP	COIL TERMINAL	11	
UL94 V-0	PET	BOBBIN	10	
UL94 V-0	NYLON	CASE	9	
	Ag ALLOY	STATIONARY CONTACT	8	
	Ag ALLOY	MOVABLE CONTACT	7	
	Cu ALLOY	MOVABLE SPRING	6	
	Cu ALLOY	NC TERMINAL	5	
	Cu ALLOY	NO TERMINAL	4	
	Ni PLATED	STEEL	CORE	3
	Cu PLATED	STEEL	ARMATURE FORM C	2
	Ni PLATED	STEEL	YOKE	1
INCOMBUSTIBILITY	TREATMENT	MATERIAL	DESCRIPTION	ITEM

DWN LU QIANG		TE Connectivity	
CHK FU BO			
APVD SUNNY		ORWH-H3FH ,000 CUSTOMER DRAWING	
PRODUCT SPEC			
APPLICATION SPEC			
SIZE A3	GAGE CODE 00779	DRAWING NO. 1721948	RESTRICT TO
WEIGHT		SCALE 3:1	SHEET 1 OF 1
CUSTOMER DRAWING		REV A	