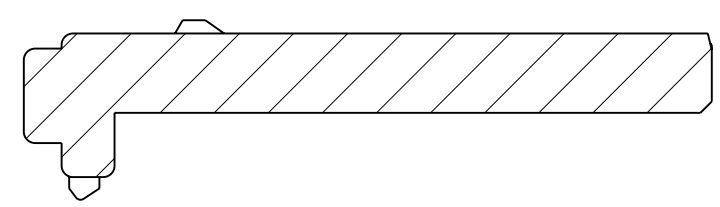
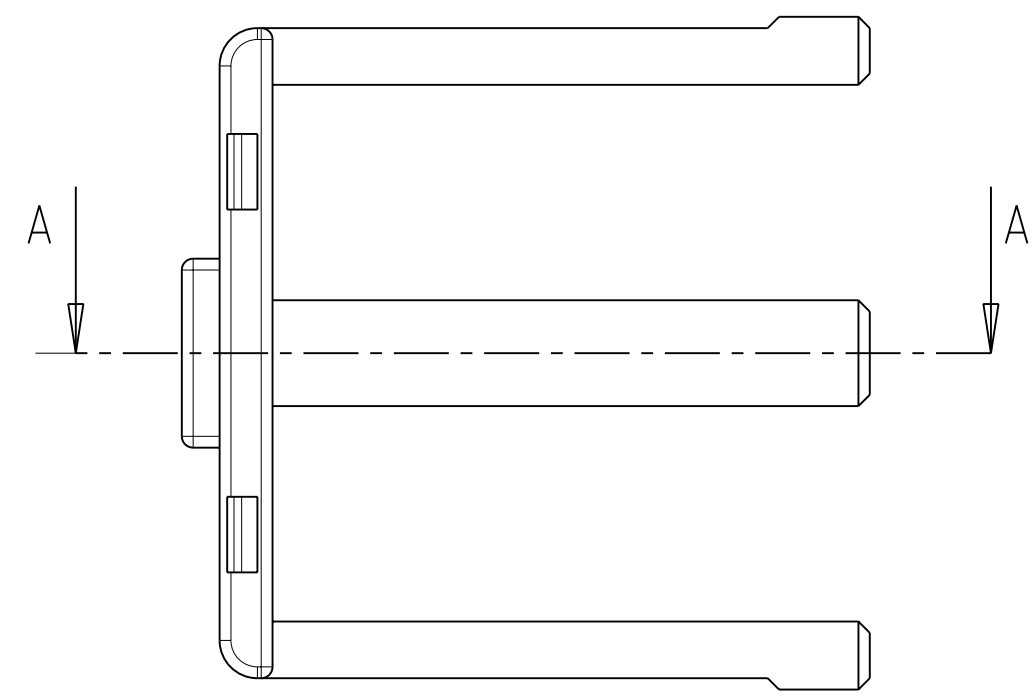
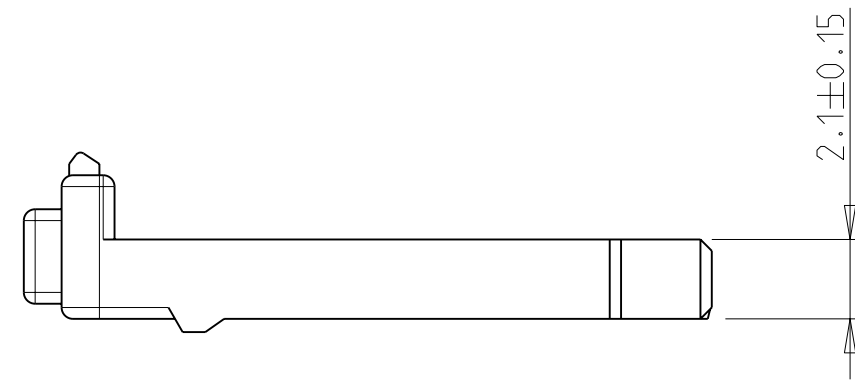
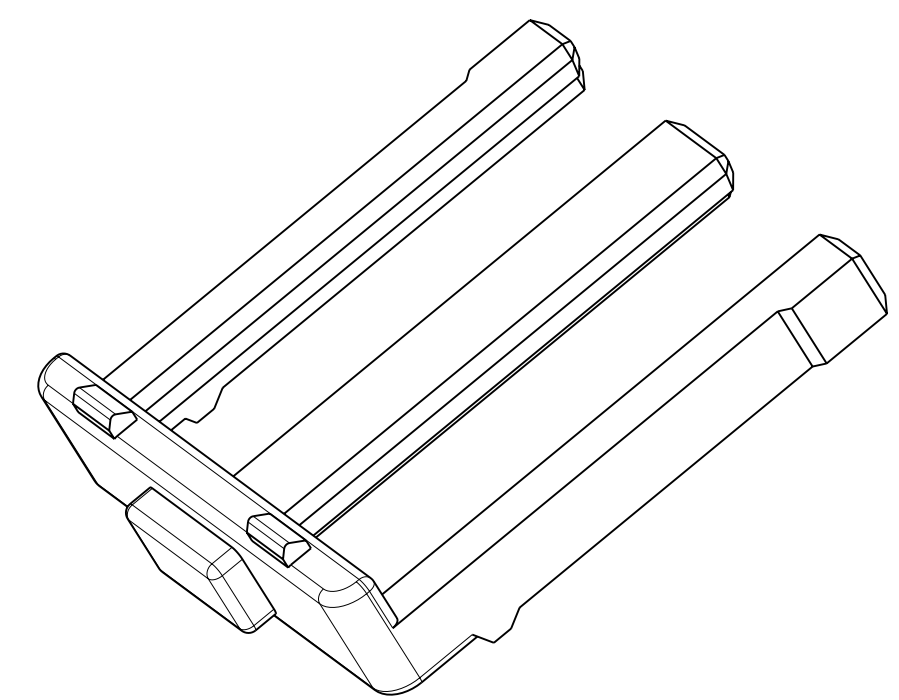
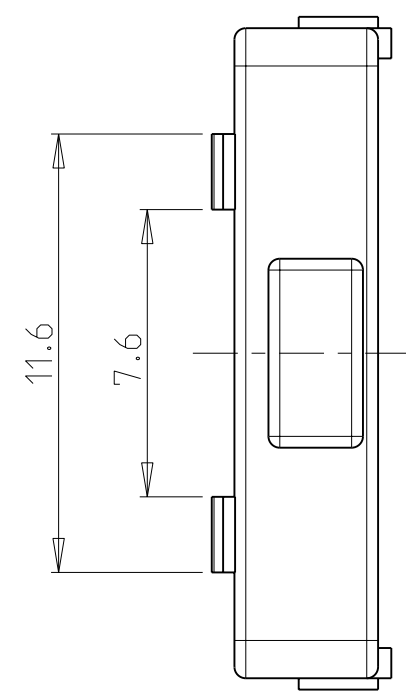
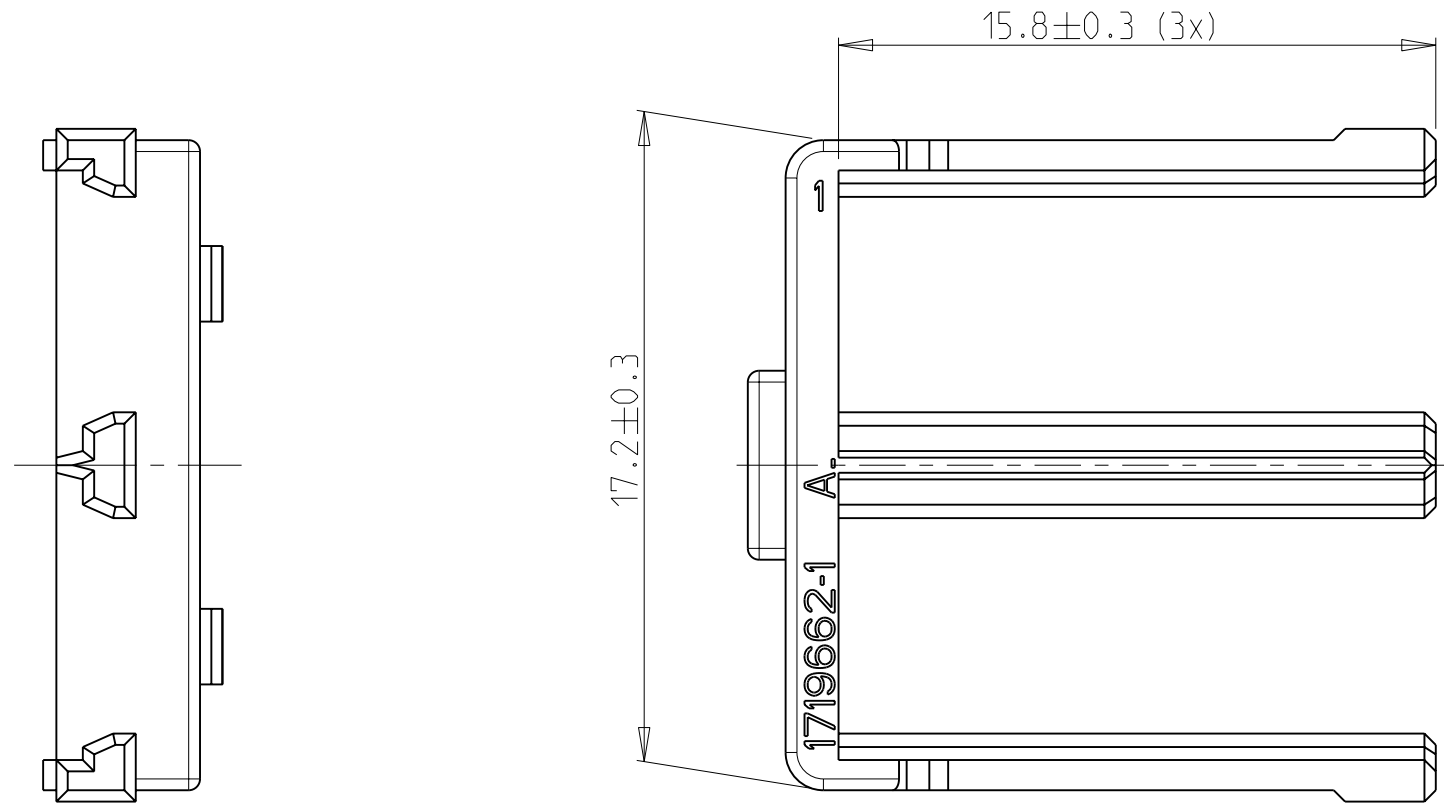


LOC	DIST	REVISIONS			
P	LTR	DESCRIPTION	DATE	DWN	APVD
A	-	NEW PART, NEW DRAWING	24MAY2006	MK	KR
B	-	E-06-028097	04JAN2007	MK	KR
C	-	E-07-028159	22NOV2007	MK	KR



NOTES:
Bemerkungen:

1 PACKAGING: LOOSE PIECE IN CARDBOARD BOX
Verpackung: Teile lose beigestellt in Karton

2 MATED WITH:
verwendet mit:

- REC. HSG. 32 POS. 0-1719675
- REC. HSG. 32 POS. 0-1719682
- REC. HSG. 32 POS. 0-1418392
- REC. HSG. 32 POS. 0-1670065
- REC. HSG. 32 POS. 0-1670066

0-1719662-1	C	PA66-GF25	2NDRY. LOCK FOR MOS CB TERMINALS	RED	1
PART NO	REVISION	MATERIAL	DESCRIPTION	COLOUR	ITEM NO

THIS DRAWING IS A CONTROLLED DOCUMENT FOR TYCO ELECTRONICS CORPORATION. IT IS SUBJECT TO CHANGE AND THE CONTROLLING ENGINEERING ORGANIZATION SHOULD BE CONTACTED FOR THE LATEST REVISION.		DWN M. Kressmann 19MAY2006	tyco Electronics AMP GmbH D - 64625 Bensheim		
DIMENSIONS: mm		CHK K.ROTH 24MAY2006	NAME 2NDRY. LOCK FOR 32 POS. 2.NDRY. LOCK		
TOLERANCES UNLESS OTHERWISE SPECIFIED: 0 PLC ±0.3 1 PLC ±0.3 2 PLC ±0.3 3 PLC ± 4 PLC ± ANGLES ±1° FINISH		APVD -	PRODUCT SPEC -	APPLICATION SPEC -	RESTRICTED TO -
MATERIAL -		WEIGHT -	SIZE A2	CAGE CODE 00779	DRAWING NO 1719662
CUSTOMER DRAWING			SCALE 5:1	SHEET 1 OF 1	REV C