

4

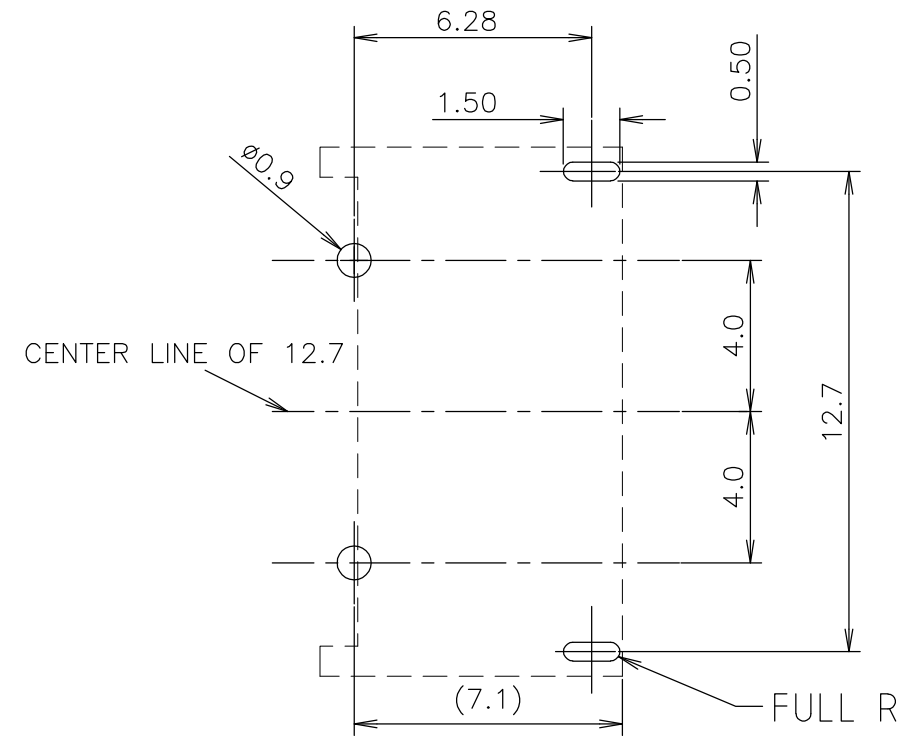
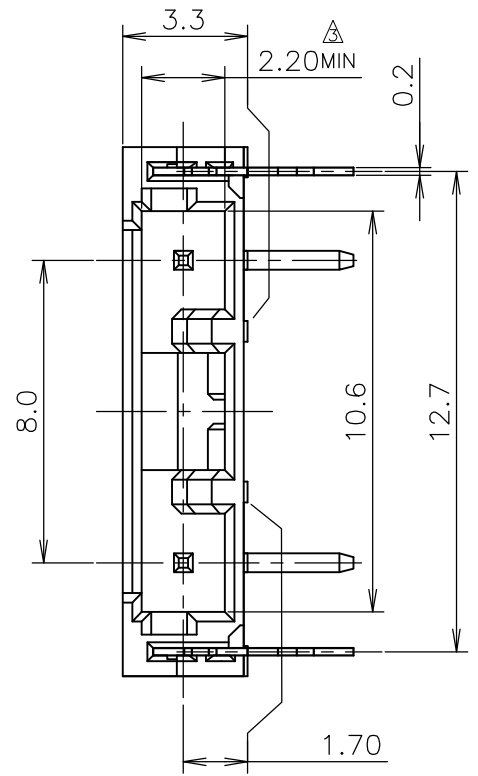
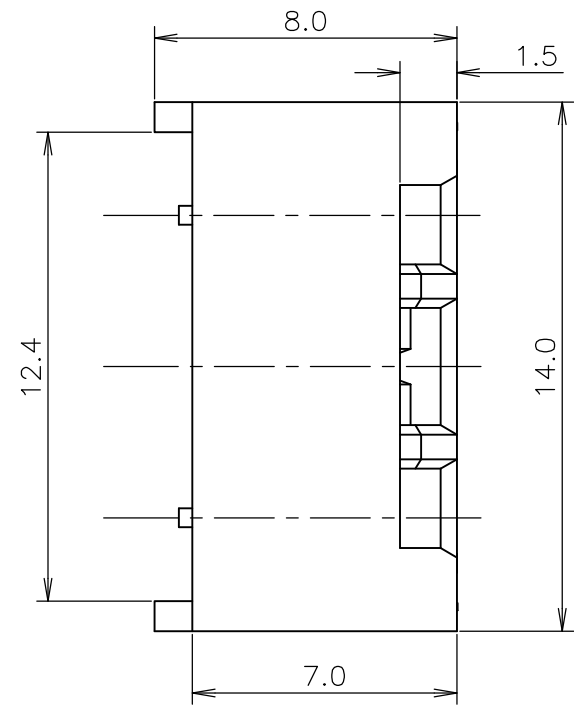
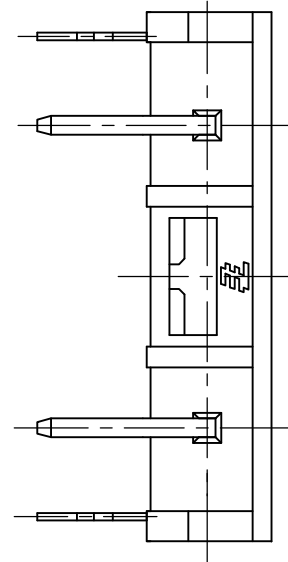
3

2

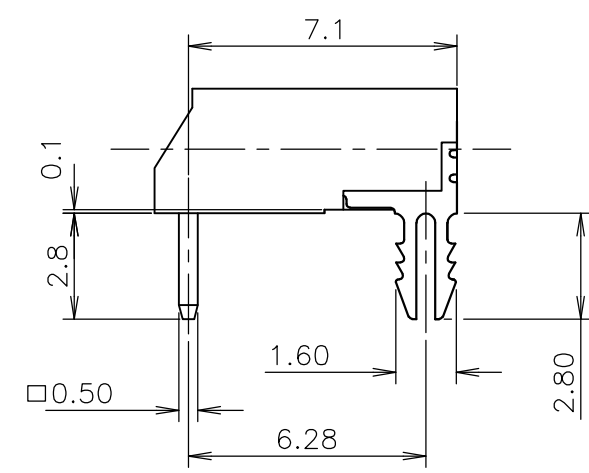
1

THIS DRAWING IS UNPUBLISHED. RELEASED FOR PUBLICATION
 © COPYRIGHT 2003 BY TYCO ELECTRONICS CORPORATION. ALL RIGHTS RESERVED.

LOC	DIST	REVISIONS			
P	LTR	DESCRIPTION	DATE	DWN	APVD
J	/	C	REVISED PER ECR-10-007306	12APR10	HMR TM



REFERENCE PCB LAYOUT (Tolerance: ±0.05)
 (PCB THICKNESS: 1.60±0.05)



LEAD FREE

-1: AS SHOWN

NOTES:

- MATERIAL:
 HOUSING: NYLON 6T.UL 94V-0. COLOR: NATURAL
 CONTACT: BRASS
 RETENTION LEG: PHOSPHOR BRONZE
 - FINISH:
 CONTACT: 0.00127mm MIN NICKEL PLATING OVER ALL.
 0.002~0.005mm TIN ON SOLDER TAIL.
 RETENTION LEG: 0.00127mm MIN NICKEL OVER ALL
 0.002~0.005mm TIN OVER NICKEL PLATED
- \triangle BOTH SIDE ONLY.
 0.10mm WARPAGE IS PERMITTED.

THIS DRAWING IS A CONTROLLED DOCUMENT.		DWN S.CH IEN 310CT03	Tyco Electronics AMP K.K. Kawasaki, Japan	
DIMENSIONS: mm		CHK N.FUTATSUGI 310CT03	NAME	
TOLERANCES UNLESS OTHERWISE SPECIFIED:		APVD W.KODAMA 310CT03	BACK LIGHT CONN. 8mm PITCH HDR ASSY DIP TYPE, WITH LOCK	
0 PLQ ±0.3 1 P/C ± 2 P/C ± 3 P/C ± 4 P/C ± ANGLES ±3°		PRODUCT SPEC 108-5926	SIZE A3	CAGE CODE 00779
MATERIAL SEE NOTE	FINISH SEE NOTE	APPLICATION SPEC	DRAWING NO C-1717369	RESTRICTED TO
CUSTOMER DRAWING		WEIGHT 0.3g/ea	SCALE 5:1	SHEET 1 OF 1 REV C