

4

3

2

1

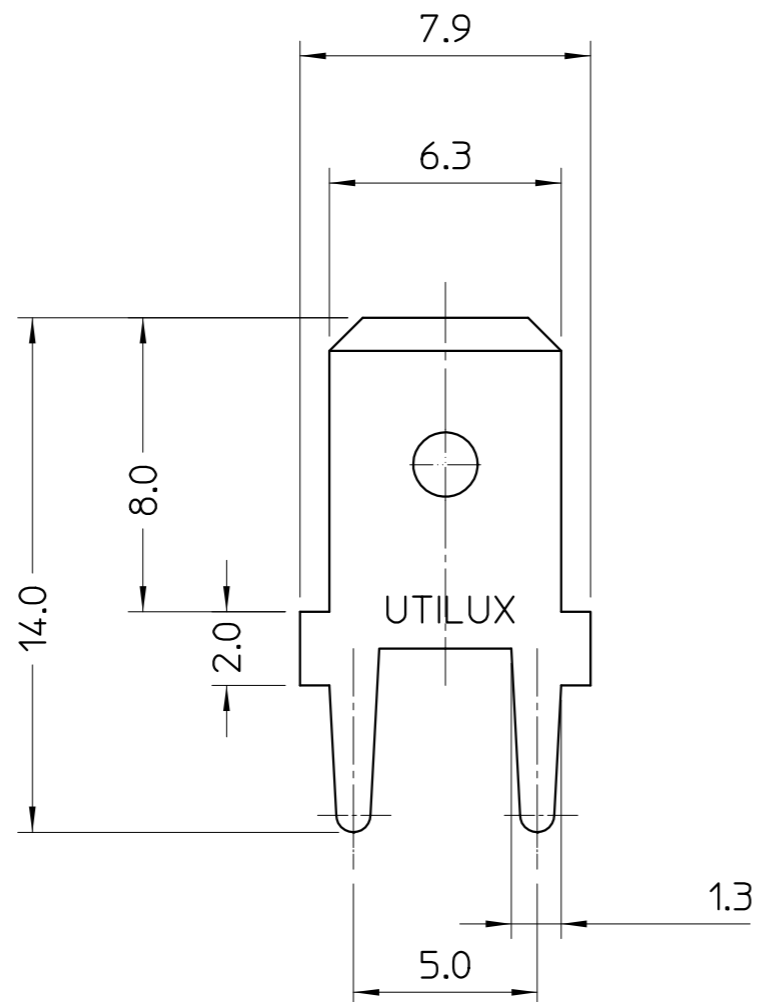
THIS DRAWING IS UNPUBLISHED.

RELEASED FOR PUBLICATION

REVISIONS

© COPYRIGHT - BY TYCO ELECTRONICS CORPORATION. ALL RIGHTS RESERVED.

LTR	DESCRIPTION	DATE	DWN	APVD
0	REDRAWN WAS UTX DRG NO. 01.025706.02	18.2.08	WR	-
A	ECR-08-031322 PLATING SPEC UPDATED	10.12.08	MZ	



70/30 BRASS	POST PLATED BRIGHT TIN OVER NICKEL	TAB, PCB QC 6.3 (H25706)	1-1627334-0
MATERIAL DESC.	FINISH	DESCRIPTION (UTX P/N)	PART No.
THIS DRAWING IS A CONTROLLED DOCUMENT.		DWN: W.RIEDE 18 FEB 08	Kingsgrove AUSTRALIA
ALL DIMENSIONS IN mm:		CHK: H.THAI 18 FEB 08	
TOLERANCES UNLESS OTHERWISE SPECIFIED:		APVD: W.RIEDE 18 FEB 08	NAME: TAB, PCB QC 6.3
DIMENSION (mm) TOLERANCE(+/-mm) LESS THAN 10 0.4 OVER 10 TO 30 0.5 OVER 30 TO 80 0.7 OVER 80 TO 250 1.0 ANGLES ±2°		PRODUCT SPEC:	
		APPLICATION SPEC:	
MATERIAL REF BLOCK	FINISH REF BLOCK	WEIGHT: -	RESTRICTED TO
		SIZE A3	CAGE CODE
		DRAWING NO. ©=1627334	
CUSTOMER DRAWING		SCALE 5:1	SHEET 1 OF 1 REV A

THIS INFORMATION IS CONFIDENTIAL AND PROPRIETARY TO TYCO ELECTRONICS AND ITS WORLDWIDE SUBSIDIARIES AND AFFILIATES. IT MAY NOT BE DISCLOSED TO ANYONE OTHER THAN TYCO ELECTRONICS PERSONNEL, WITHOUT AUTHORIZATION.