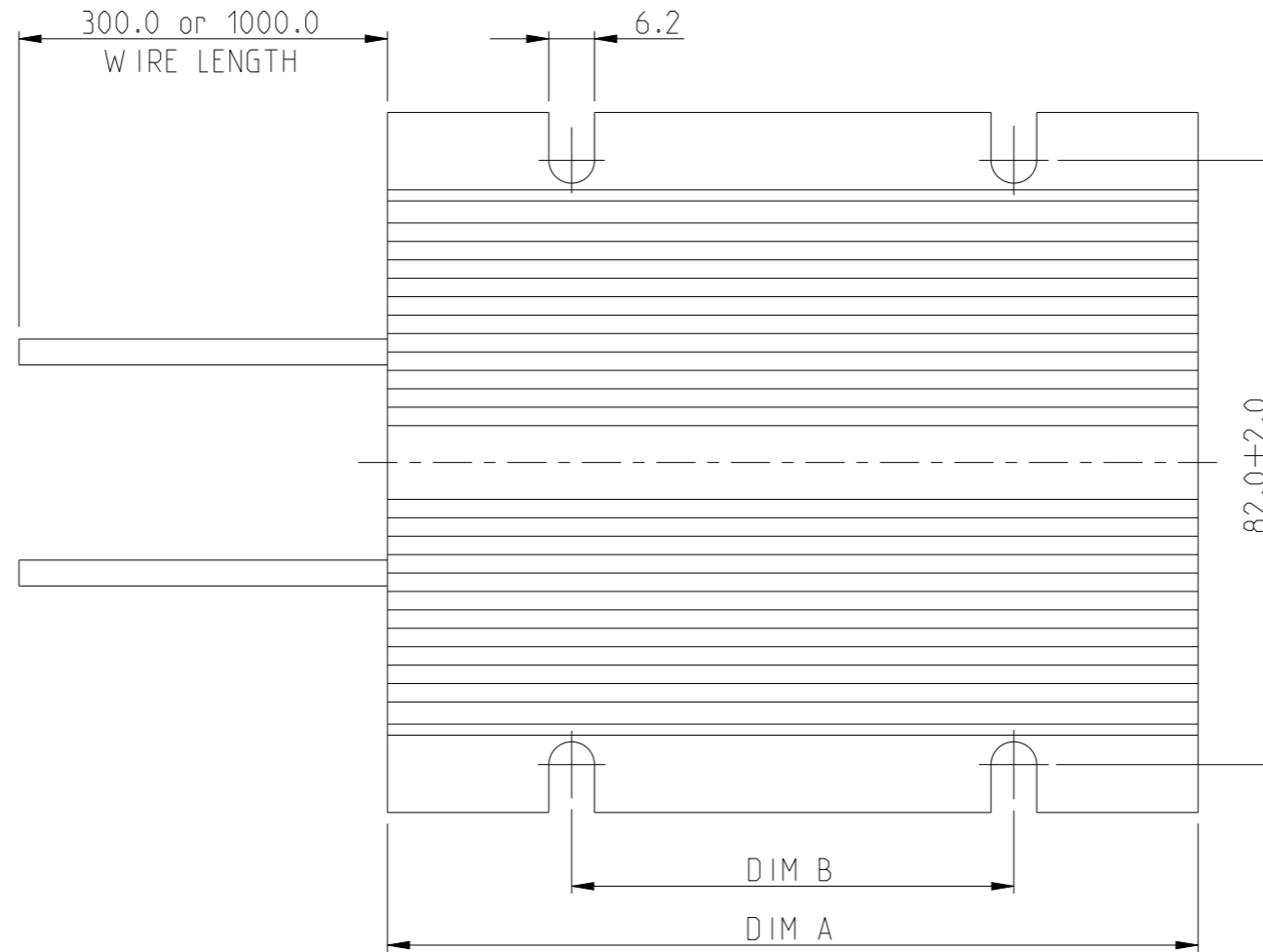
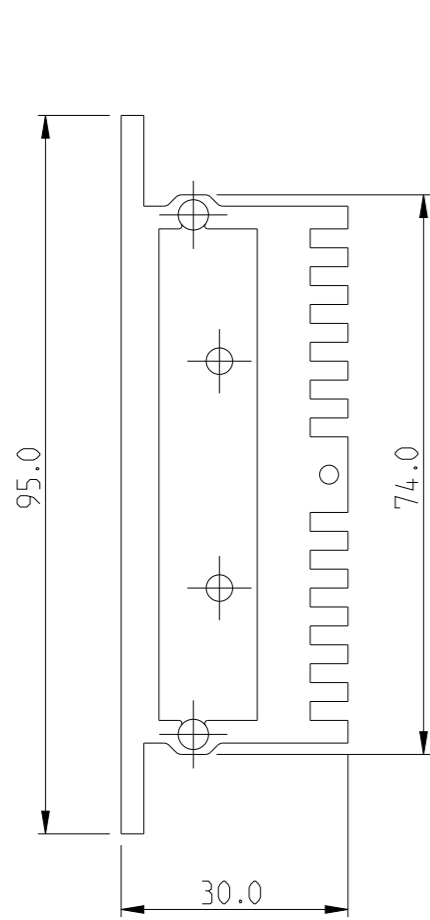
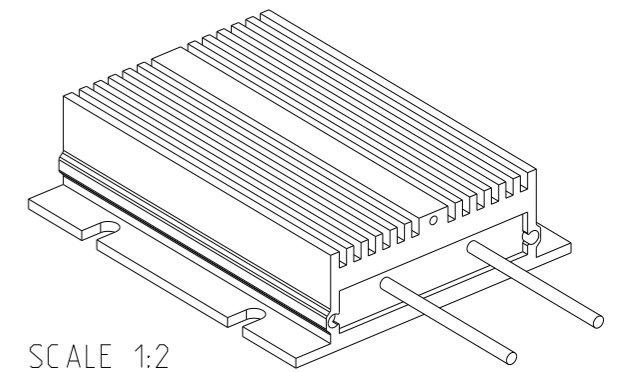


P	LTR	DESCRIPTION	DATE	DWN	APVD
A		NEW RELEASE	24-MAR-09	SM	JC
C		ECR-20-017380	08DEC2020	SB	AP

- 1 FOR FURTHER INFORMATION SEE DATA SHEET FOR CFH SERIES-ALUMINIUM HOUSED POWER RESISTORS
- 2 FOR A SPECIFIC PN FOR A RESISTANCE VALUE AND TOLERANCE, PLEASE REFER TO DMF



RoHS Compliant



SCALE 1:2

4	CFH1100	1100	320.0	240.0
3	CFH750	750	220.0	140.0
2	CFH500	500	160.0	110.0
1	CFH350	350	110.0	60.0
ITEM	SERIES	POWER (W)	DIM A	DIM B

THIS DRAWING IS A CONTROLLED DOCUMENT.		DWN	24-MAR-09		
		CHK	24-MAR-09		
		APVD	24-MAR-09		
		J. CATCHPOLE			
DIMENSIONS:		NAME			
mm		ALUMINIUM HOUSED POWER RESISTOR			
		SERIES CFH			
TOLERANCES UNLESS OTHERWISE SPECIFIED:		SIZE		DRAWING NO	
0 PLC	±0.5	A3		C-1623821	
1 PLC	±0.2	CAGE CODE		RESTRICTED TO	
2 PLC	±0.1	00779			
3 PLC	±	DRAWING NO			
4 PLC	±	SCALE		1:1	
ANGLES	±0.5°	SHEET		1 OF 1	
MATERIAL	FINISH	CUSTOMER DRAWING		REV C	
-	-				