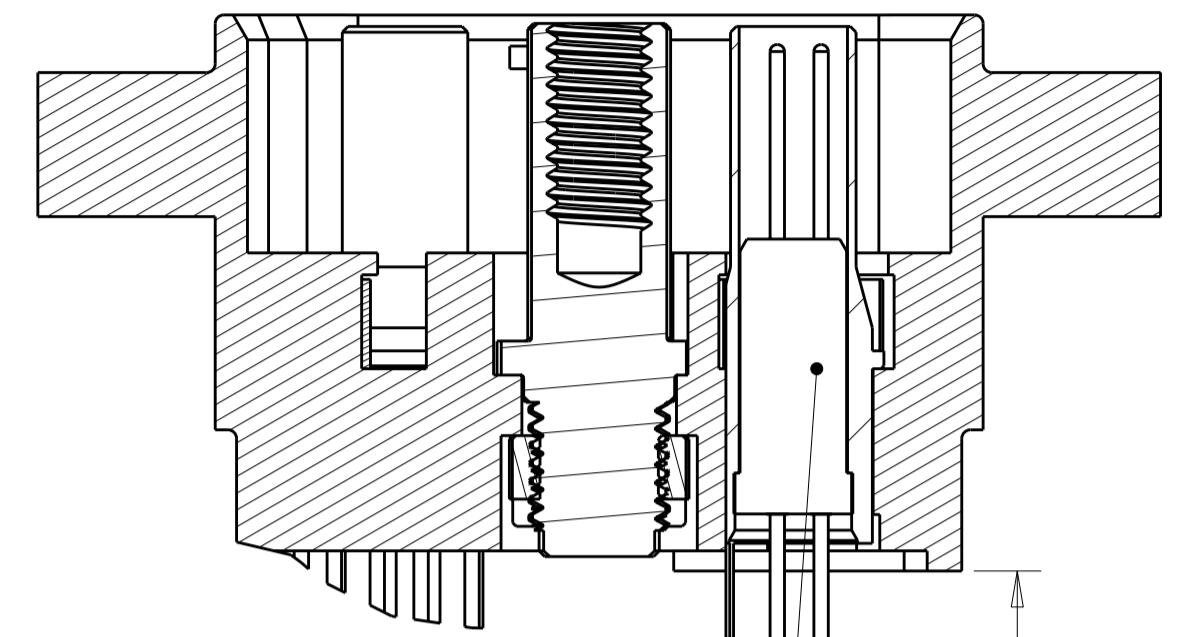
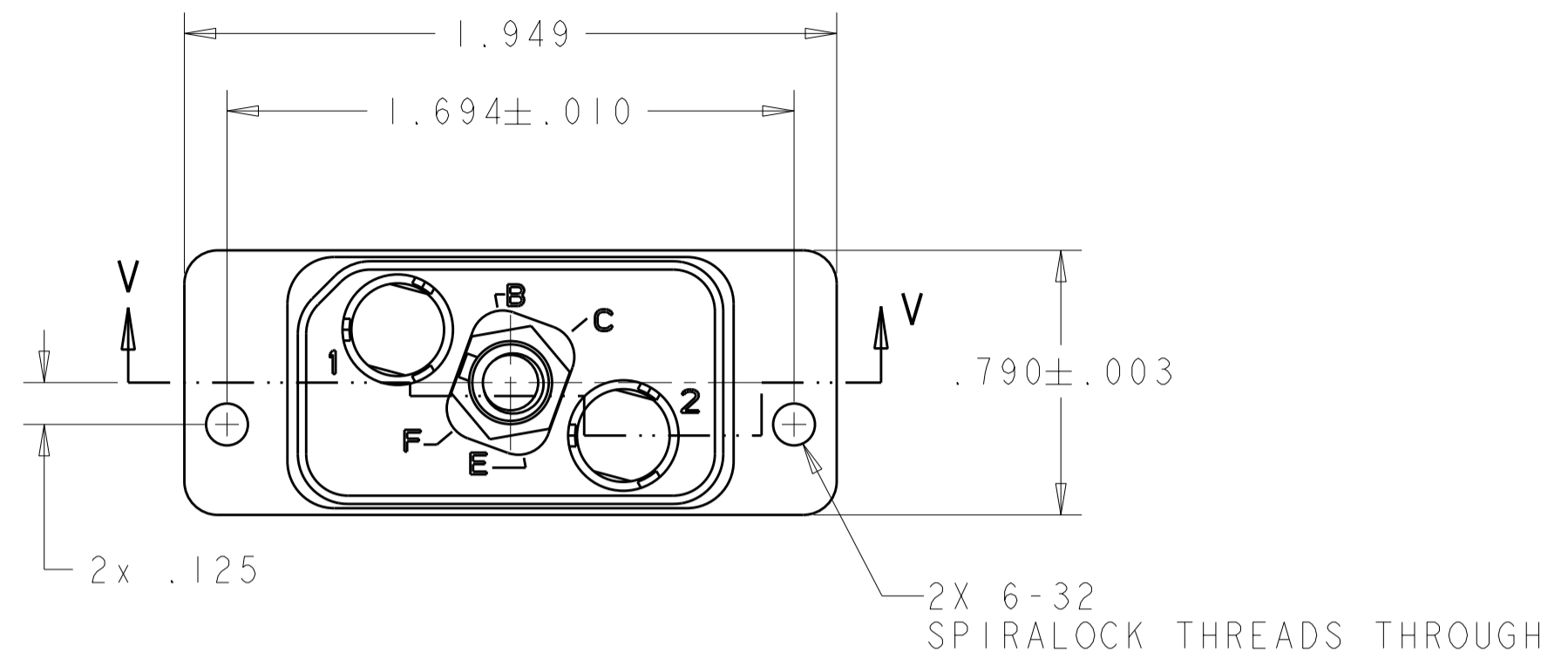
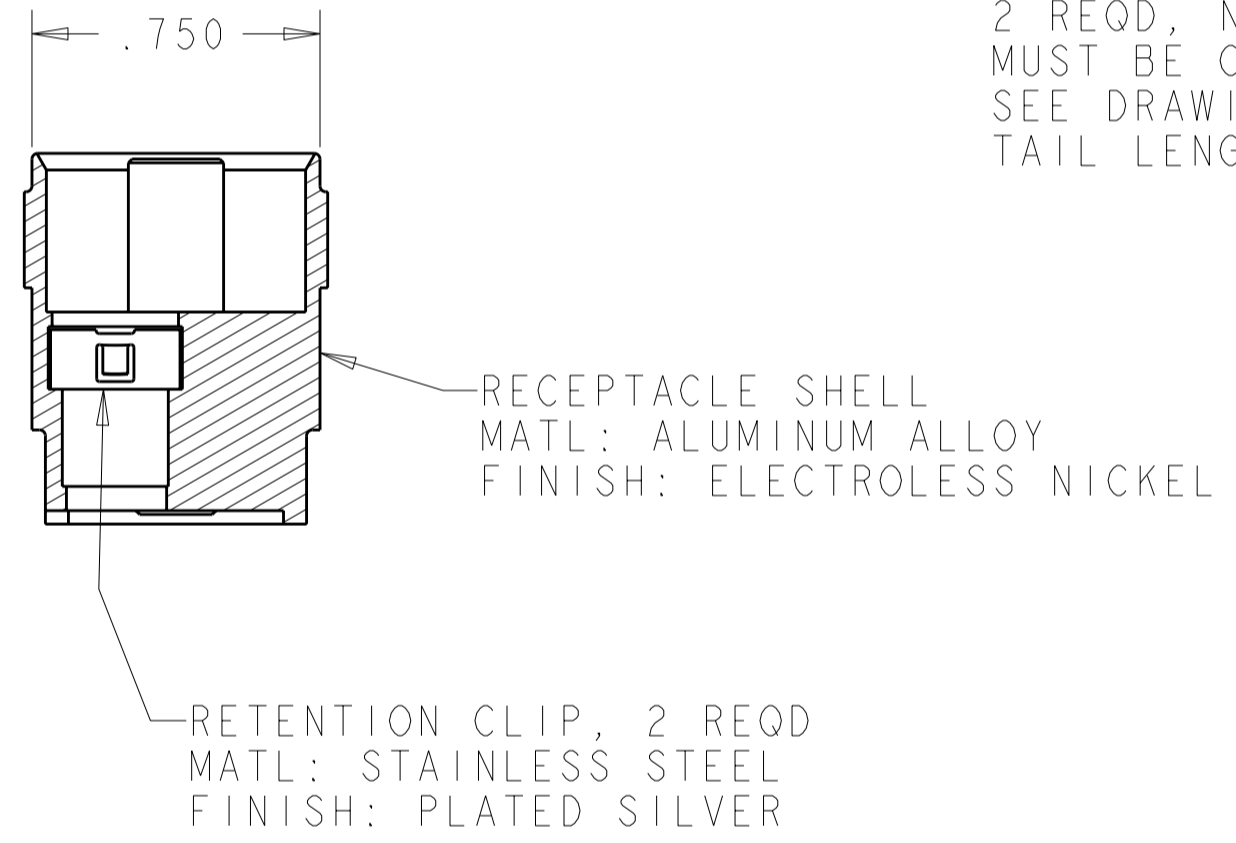
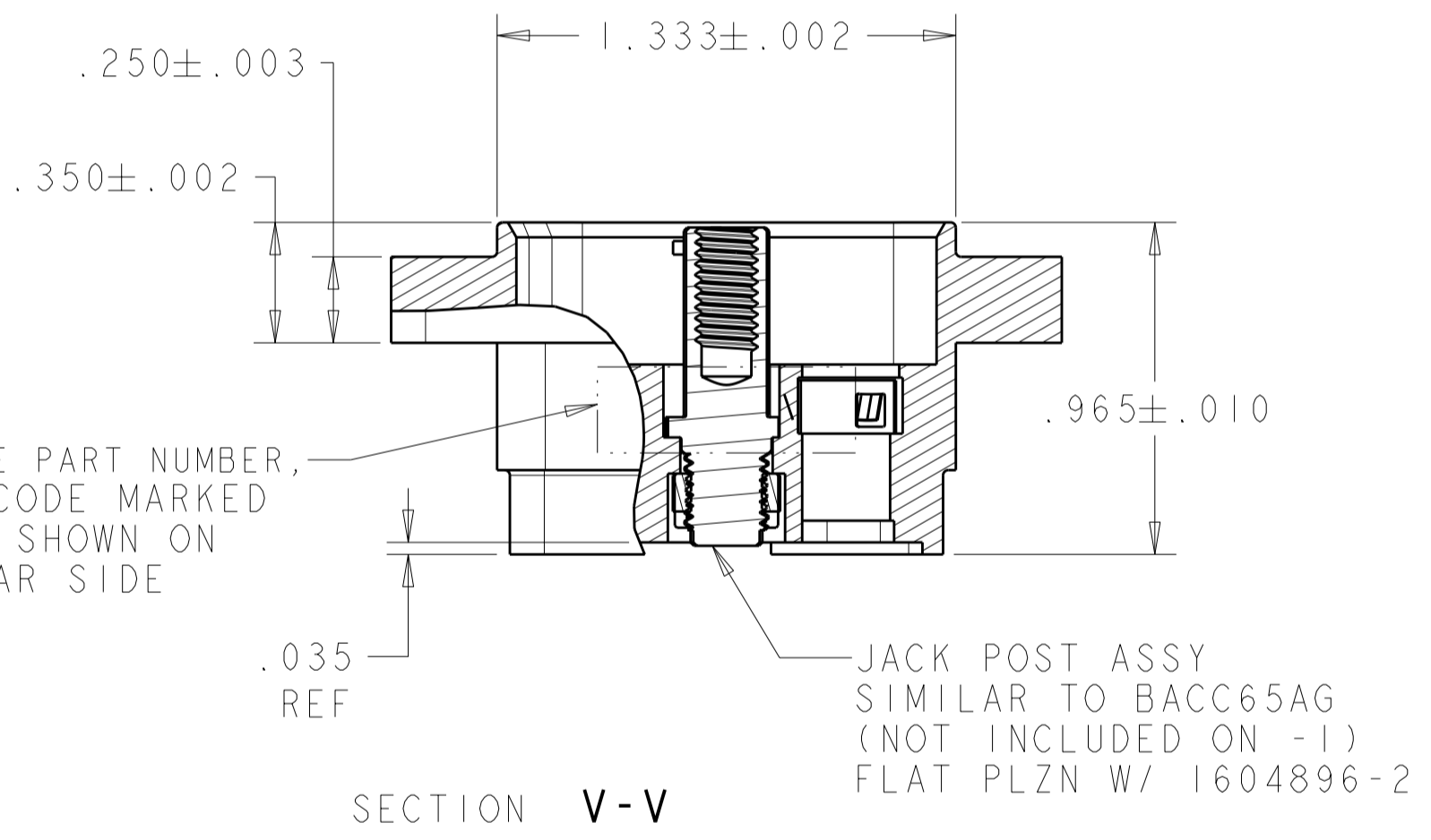


THIS DRAWING IS UNPUBLISHED. RELEASED FOR PUBLICATION 20
 © COPYRIGHT 20 BY TYCO ELECTRONICS CORPORATION. ALL RIGHTS RESERVED.

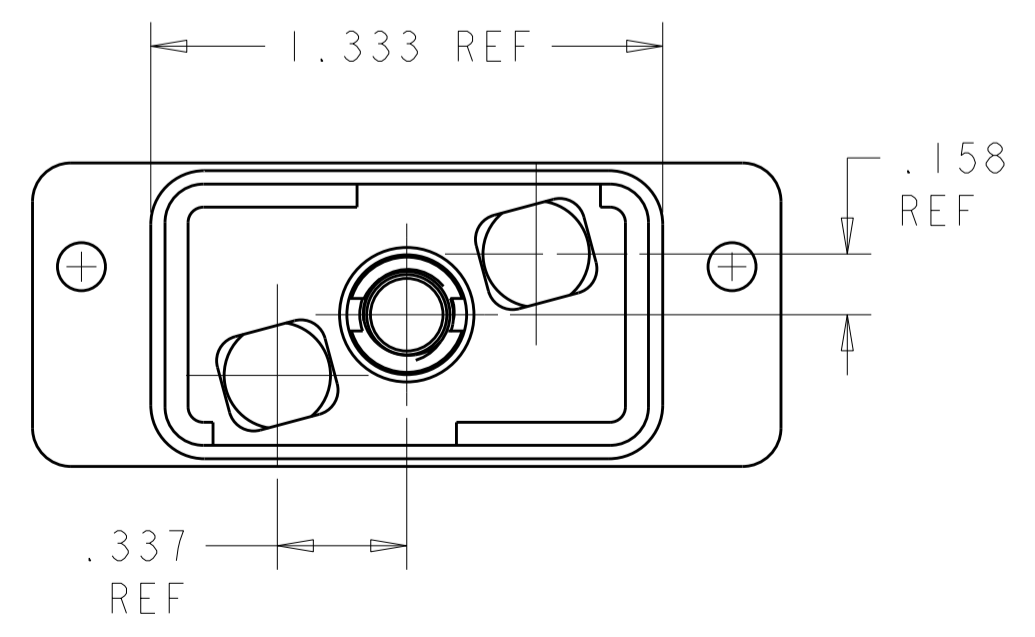
LOC		DIST		REVISIONS			
DF	A5	P	LTR	DESCRIPTION	DATE	DWN	APVD
		B		REV PER ECR-05-012314	09NOV05	BH	RW
		C		REV PER ECO 08-000829	13MAR2008	CT	DM



FR/FR QUADRAX PIN ASSY
 2 REQD, NOT INCLUDED,
 MUST BE ORDERED SEPARATELY;
 SEE DRAWING 1445626; VARIOUS
 TAIL LENGTHS ARE AVAILABLE



TE LOGO, TE PART NUMBER,
 AND DATE CODE MARKED
 APPROX AS SHOWN ON
 NEAR OR FAR SIDE



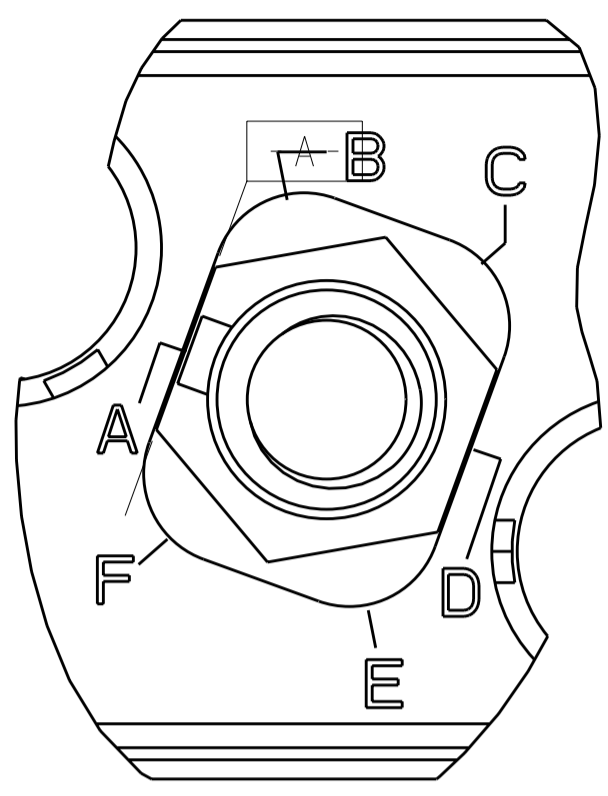
REFERENCE APPLICATION SPEC.
 FOR RECOMMENDED BOARD LAYOUT

DUST COVER INCLUDED; SEE SHT 2	WITH JACKPOST (FLAT POLARIZATION)	1604896-2
DUST COVER NOT INCLUDED	WITHOUT JACKPOST	1604896-1
DUST COVER P/N 1604996-2	DESCRIPTION	PART NO.

THIS DRAWING IS A CONTROLLED DOCUMENT FOR TYCO ELECTRONICS CORPORATION. IT IS SUBJECT TO CHANGE AND THE CONTROLLING ENGINEERING ORGANIZATION SHOULD BE CONTACTED FOR THE LATEST REVISION.		DWN 25 JUNE 2004 Brent D. Yohn	Tyco Electronics Harrisburg, PA 17105-3608	
DIMENSIONS: IN		CHK W. H. BERNHART 25 JUNE 2004	NAME ASSEMBLY, RECEPTACLE, QUADRAX, PWB MOUNT, FR/FR, 2 POSN	
TOLERANCES UNLESS OTHERWISE SPECIFIED: 0 PLC ± 1 PLC ± 2 PLC ± 3 PLC ±.005 4 PLC ± ANGLES ± FINISH		APVD W. H. BERNHART 25 JUNE 2004	RESTRICTED TO	
MATERIAL		PRODUCT SPEC	SIZE A2	CAGE CODE 00779
		APPLICATION SPEC 114-13123	DRAWING NO. 1604896	REV C
		WEIGHT	SCALE 2:1	SHEET 1 OF 2
		CUSTOMER DRAWING		

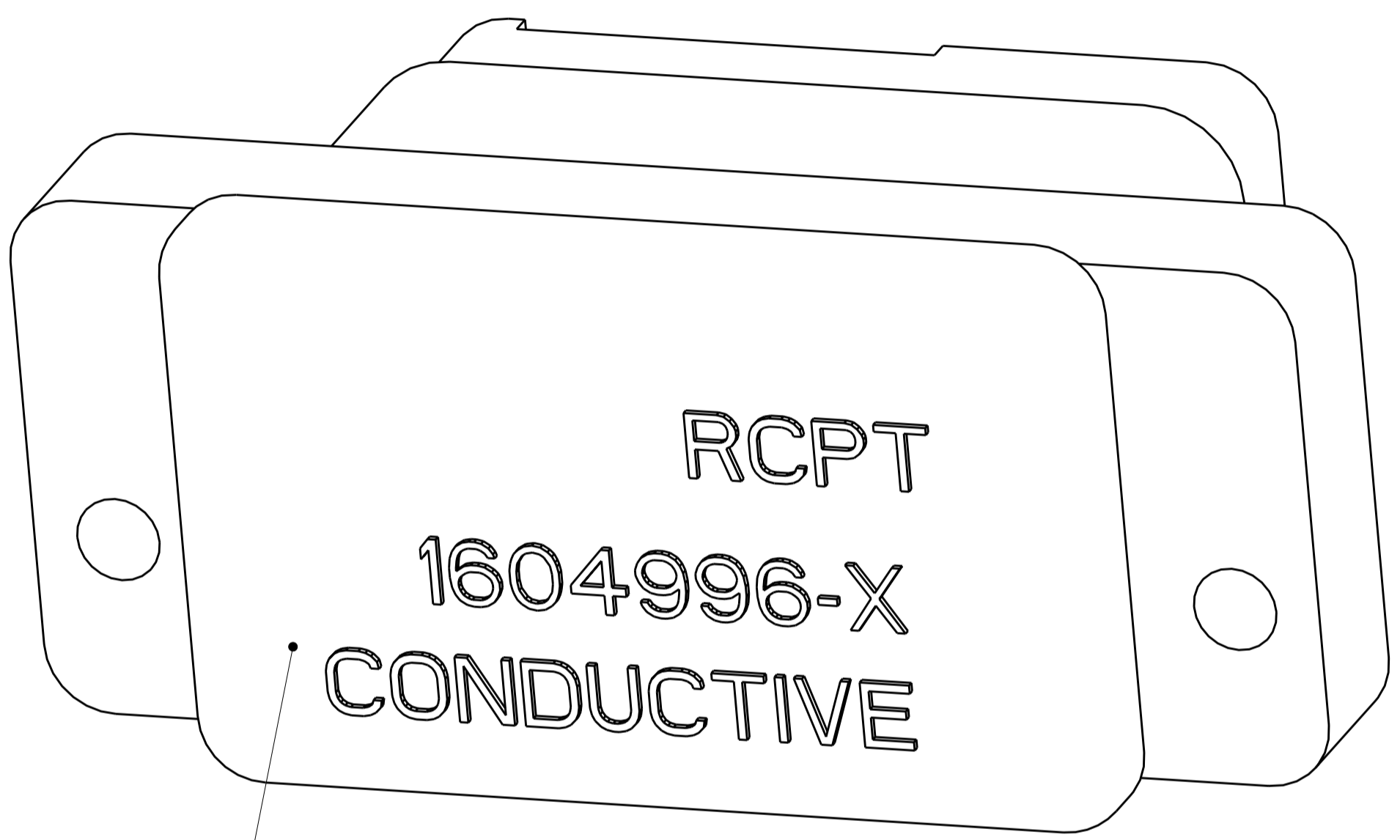
THIS DRAWING IS UNPUBLISHED. RELEASED FOR PUBLICATION 20
 © COPYRIGHT 20 BY TYCO ELECTRONICS CORPORATION. ALL RIGHTS RESERVED.

LOC	DIST	REVISIONS					
DF	A5	P	LTR	DESCRIPTION	DATE	DWN	APVD
		-		SEE SHEET 1			



**1604896-2
(FLAT PLZN)**

(PLZN CODES, A THRU F, SHOWN FOR REF ONLY; MARKING ON SHELL WILL ONLY SHOW CODES B,C,E AND F)



ESD DUST COVER; PART NUMBER 1604996-2 INCLUDED WITH ASSY PART NUMBER 1604896-2

SHOWN WITH DUST COVER

<small>THIS DRAWING IS A CONTROLLED DOCUMENT FOR TYCO ELECTRONICS CORPORATION. IT IS SUBJECT TO CHANGE AND THE CONTROLLING ENGINEERING ORGANIZATION SHOULD BE CONTACTED FOR THE LATEST REVISION.</small>		DWN 25 JUNE 2004 Brent D. Yohn CHK 25 JUNE 2004 W. H. BERNHART APVD 25 JUNE 2004 W. H. BERNHART	Tyco Electronics Harrisburg, PA 17105-3608
DIMENSIONS: IN 	TOLERANCES UNLESS OTHERWISE SPECIFIED: 0 PLC ± 1 PLC ± 2 PLC ± 3 PLC ± 4 PLC ± ANGLES ± FINISH	PRODUCT SPEC APPLICATION SPEC WEIGHT	NAME ASSEMBLY, RECEPTACLE, QUADRAX, PWB MOUNT, FR/FR, 2 POSN SIZE A2 CAGE CODE 00779 DRAWING NO. 1604896 RESTRICTED TO
MATERIAL		CUSTOMER DRAWING	SCALE 5:1 SHEET 2 OF 2 REV C