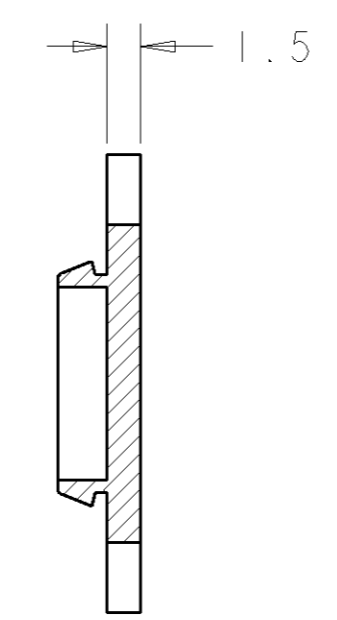
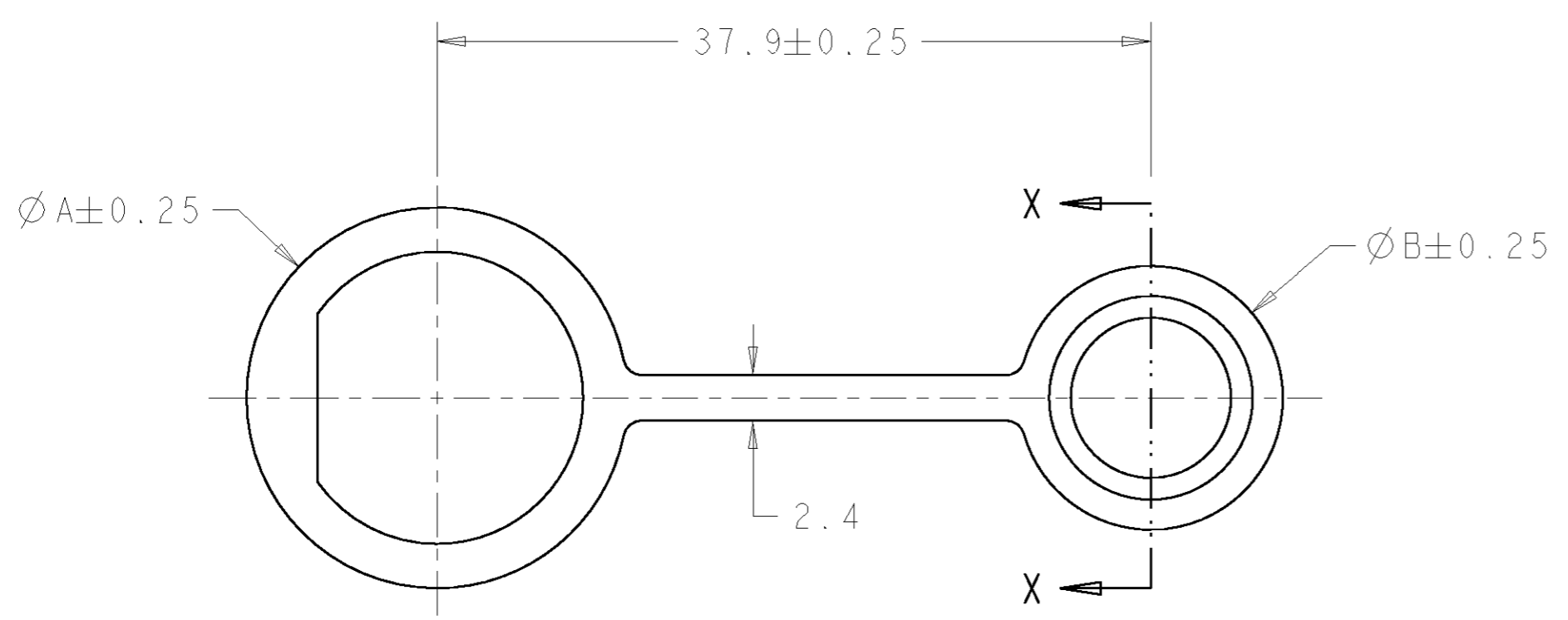
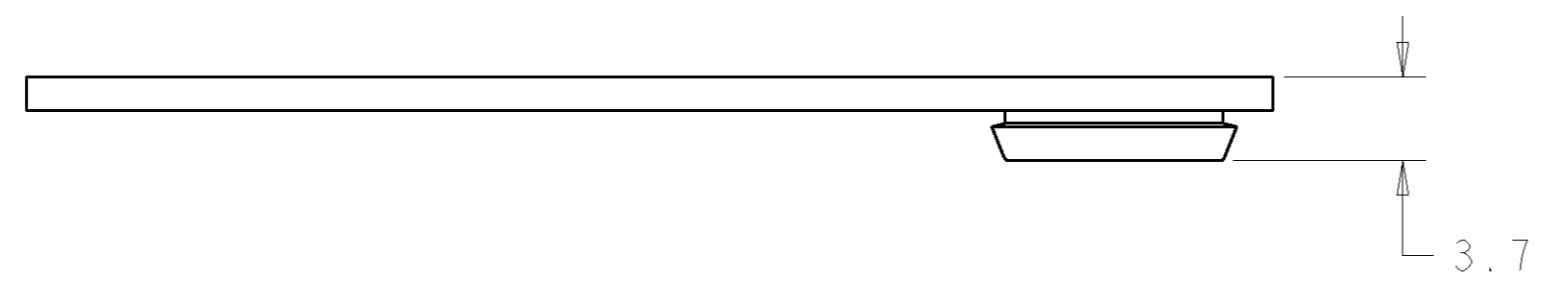


THIS DRAWING IS UNPUBLISHED. RELEASED FOR PUBLICATION 20  
 © COPYRIGHT 20 BY TYCO ELECTRONICS CORPORATION. ALL RIGHTS RESERVED.

LOC	DIST	REVISIONS			
P	LTR	DESCRIPTION	DATE	DWN	APVD
FT	0	A	RELEASED EC 063B-0362-03	18JUL2003	SW HW



SECTION X-X

18.7	22.6	11	1604089-2
14	20.2	8	1604089-1
$\varnothing B$	$\varnothing A$	SHELL SIZE	PART NUMBER

<small>THIS DRAWING IS A CONTROLLED DOCUMENT FOR TYCO ELECTRONICS CORPORATION. IT IS SUBJECT TO CHANGE AND THE CONTROLLING ENGINEERING ORGANIZATION SHOULD BE CONTACTED FOR THE LATEST REVISION.</small>		DWN S. WIEST 13FEB2002 CHK G. DOUITY 13FEB2002 APVD H. WAKEEM 18JUL2003	<b>tyco</b> <b>Electronics</b> Tyco Electronics Harrisburg, PA 17105-3608
DIMENSIONS: mm 	TOLERANCES UNLESS OTHERWISE SPECIFIED: 0 PLC ± 1 PLC ±0.13 2 PLC ±0.13 3 PLC ± 4 PLC ± ANGLES ± FINISH ±	NAME CAP, DUST, MINI CPC PRODUCT SPEC - APPLICATION SPEC - WEIGHT -	SIZE A2 CAGE CODE 00779 DRAWING NO 1604089 RESTRICTED TO -
MATERIAL ELASTOMER COLOR-BLACK -	CUSTOMER DRAWING	SCALE 3:1	SHEET 1 OF 1 REV A