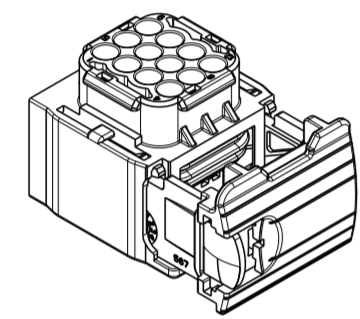
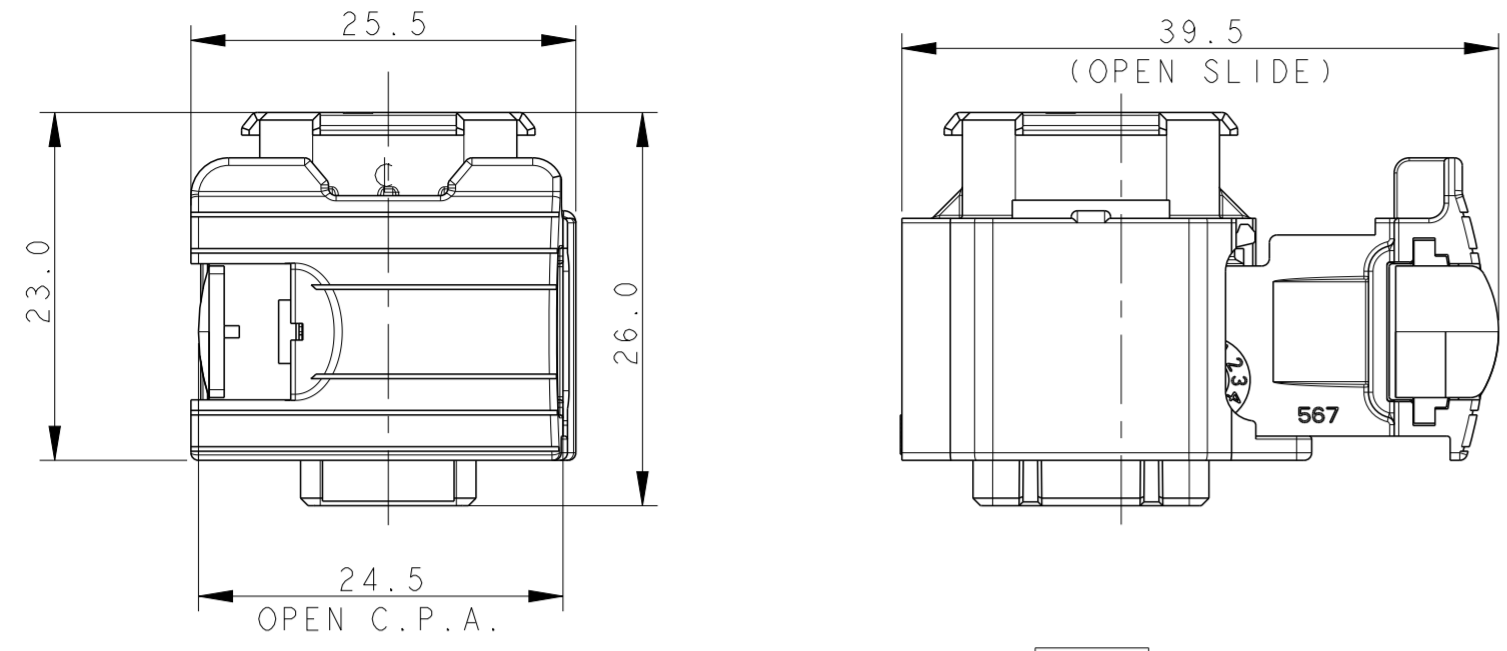
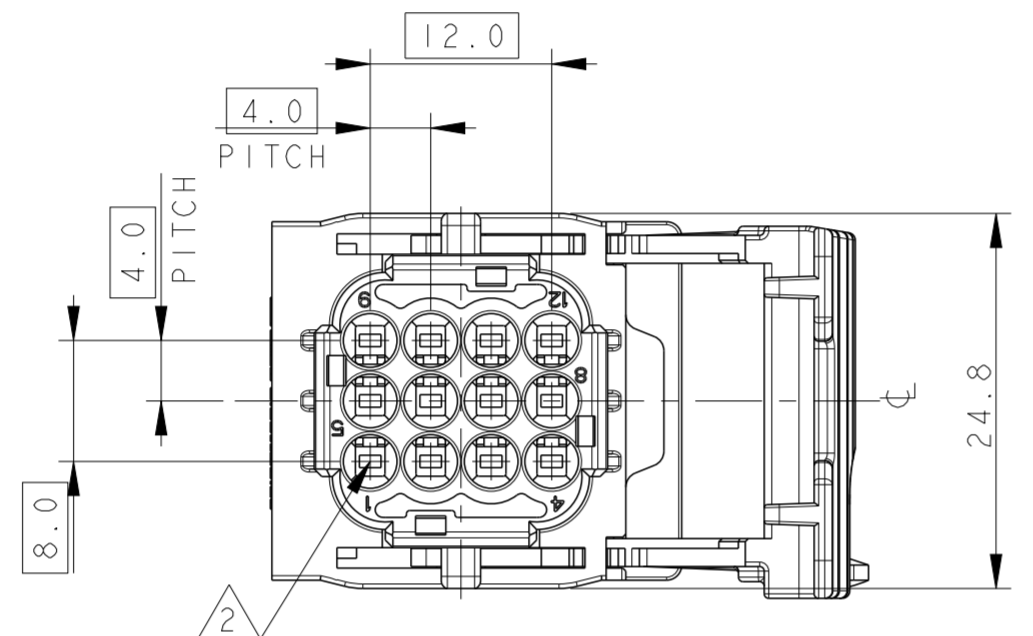


THIS DRAWING IS UNPUBLISHED. RELEASED FOR PUBLICATION 2007
COPYRIGHT 2007 BY - ALL RIGHTS RESERVED.

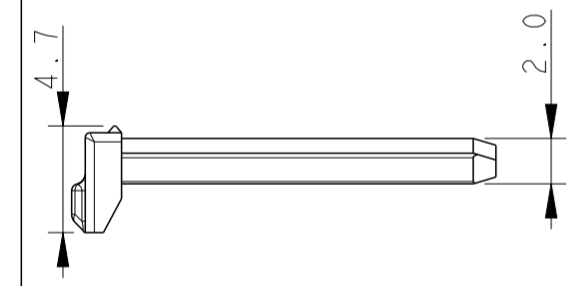
MAIN DIMENSIONS WITH C.P.A. AND SLIDE IN OPEN POSITION



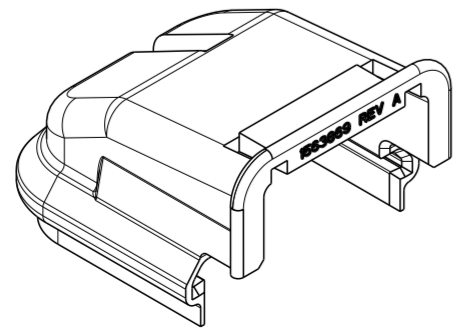
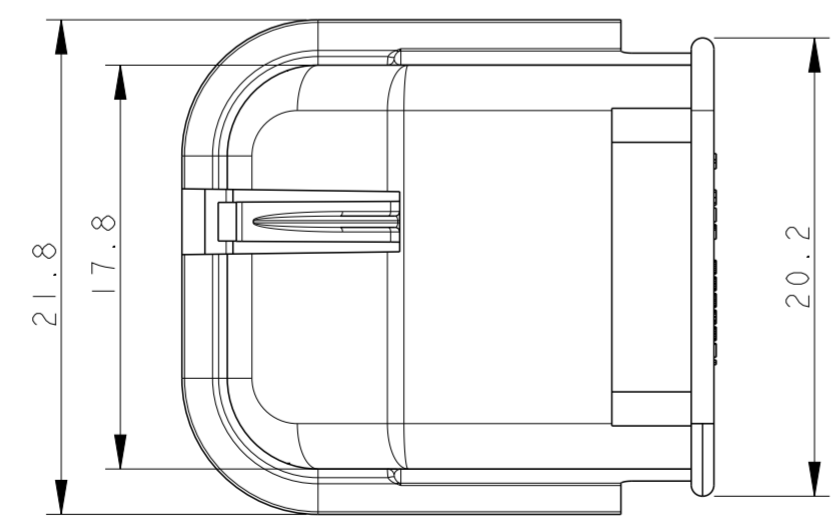
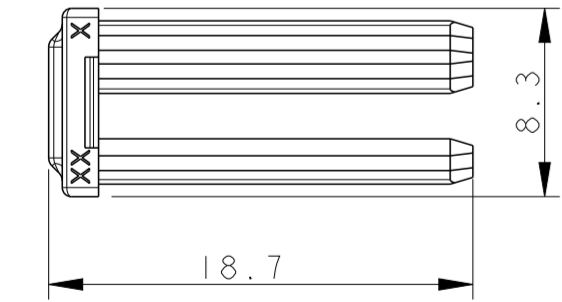
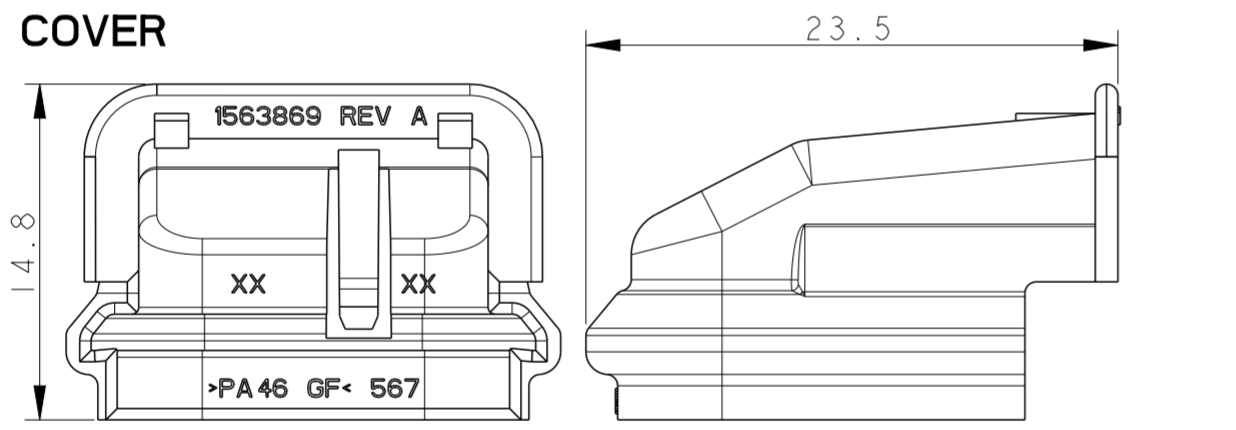
SCALE 1:1



SECONDARY LOCK

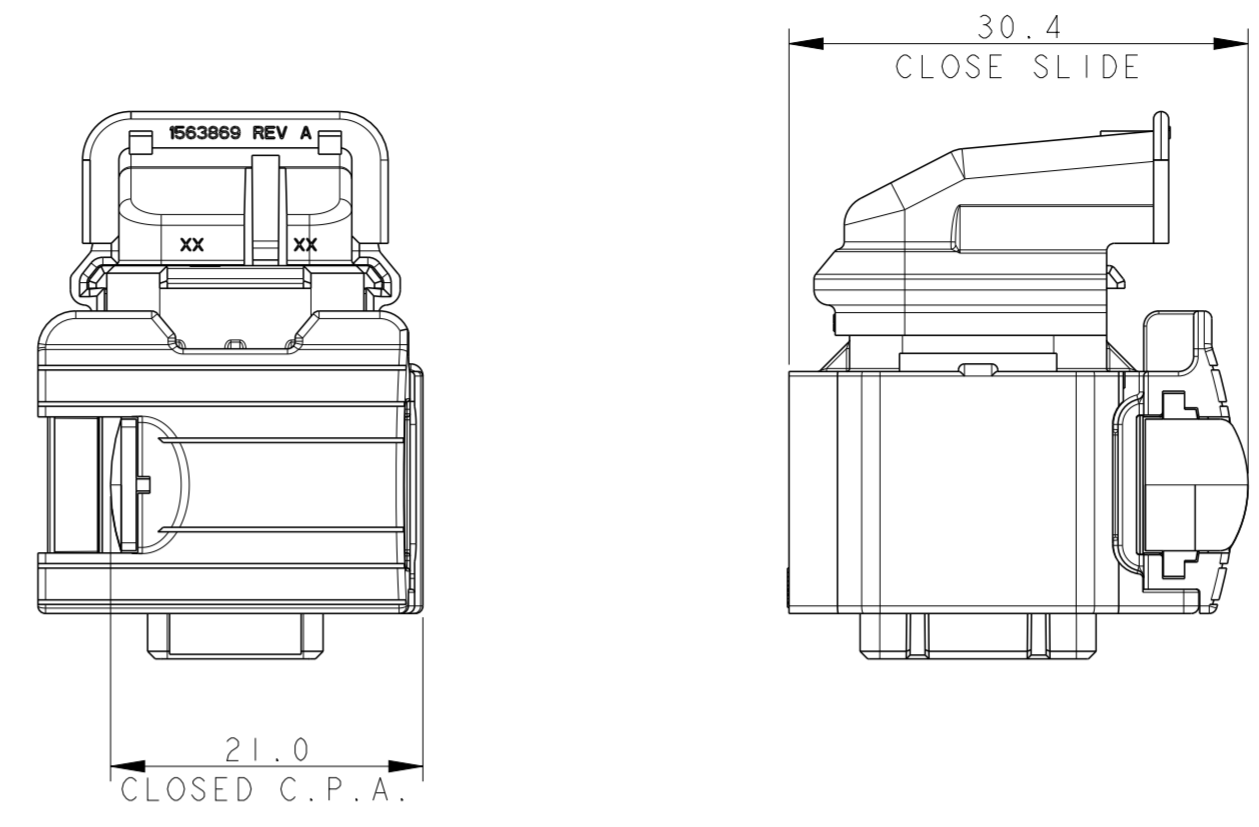


COVER

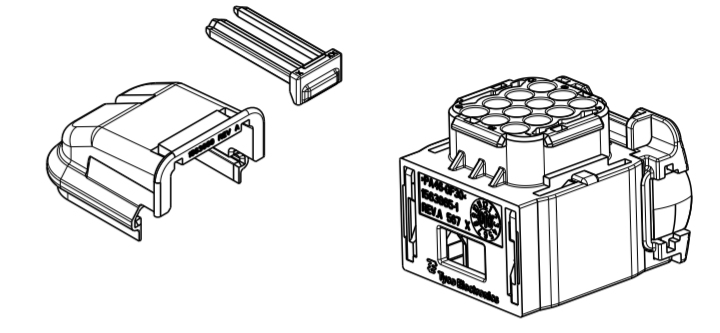


REVISIONS

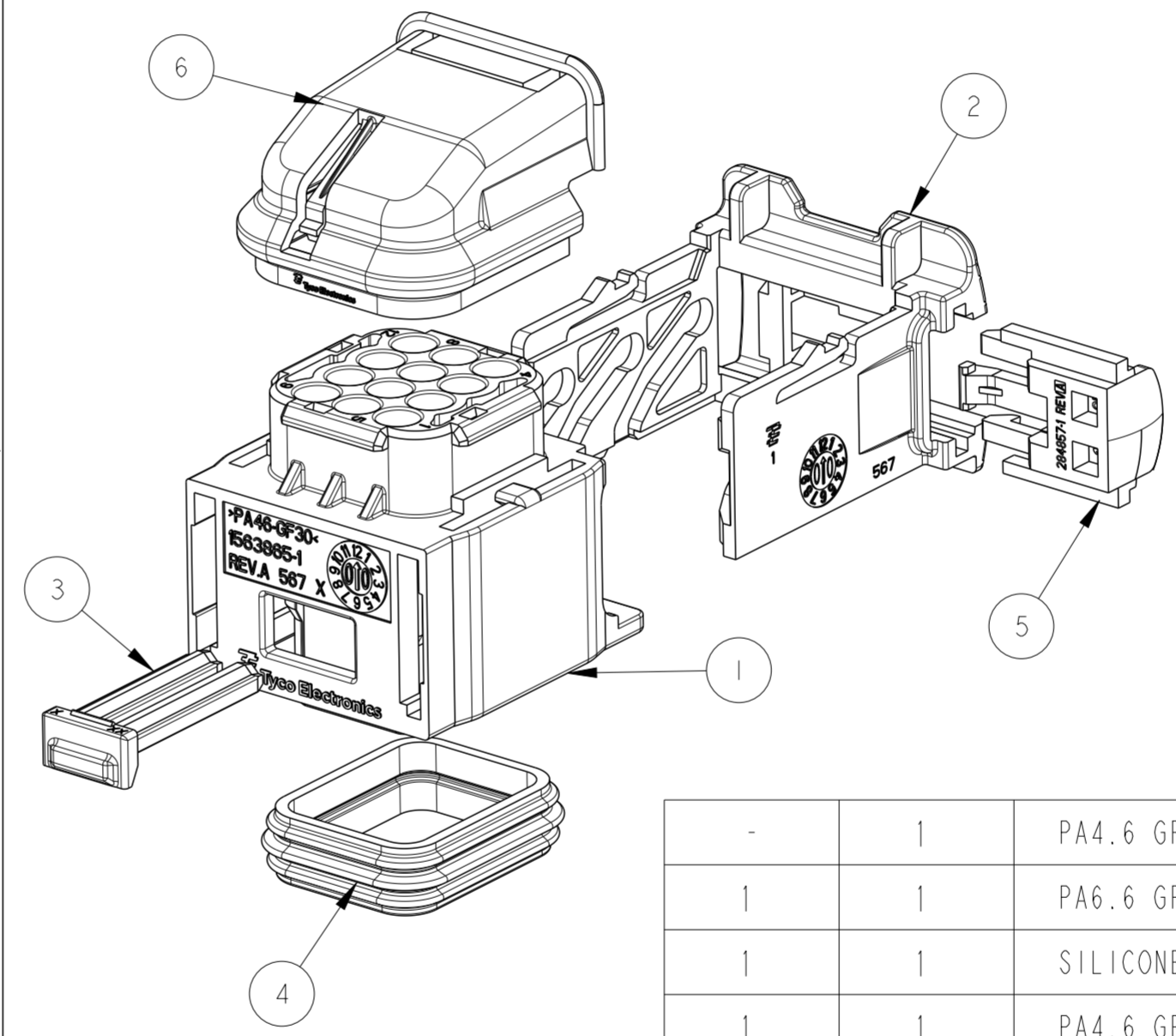
P	LTR	DESCRIPTION	DATE	DWN	APVD
B		ECO-17-001057	25JAN2017	M.P.	M.G.



3 SUPPLYING CONDITION



SCALE 1:1



- 1) INTERFACE COUNTERPART ACCORDING TO SPEC. 114-20135
- 2) 12 CAVITIES SUITABLE FOR AMP MCON-1.2 LL RECEPTACLE CONTACT: P/N 1452665-2 (0.35 mm² WIRE SECTION) GOLD PLATED, WITH RELEVANT SINGLE WIRE SEAL P/N 967067-2 AND RECEPTACLE CONTACT: P/N 1452668-2 (0.5 mm² AND 0.75 mm² WIRE SECTION) GOLD PLATED, WITH RELEVANT SINGLE WIRE SEAL P/N 967067-1
- 3) CONNECTOR SUPPLIED WITH CLOSED SLIDE AND C.P.A. PRE-ASSEMBLED, SECONDARY LOCK AND COVER, SUPPLIED IN KIT IN THE SAME BOX AND QUANTITY

QTY.	QTY.	RAW MATERIALS Materiall	COLOURS Colori	DESCRIPTION Descrizione	ITEM Pos.
-	1	PA4.6 GF	BLACK / Nero	COVER / Coperchio	6
1	1	PA6.6 GF	YELLOW / Giallo	C.P.A.	5
1	1	SILICONE	BLACK / Nero	PERIPHERAL SEAL / Guarnizione	4
1	1	PA4.6 GF	RED / Rosso	SECONDARY LOCK / disp. ritenz. sec	3
1	1	PA4.6 GF	RED / Rosso	SLIDE / Slitta	2
1	1	PA4.6 GF	GREY	CARRIER HSG. / Corpo connettore	1
1-1563864-1		0-1563864-1		PART-NO. Codice	
B	B	REV			

P/N 1563864-1 AS SHOWN

THIS DRAWING IS A CONTROLLED DOCUMENT.

DIMENSIONS: mm

TOLERANCES UNLESS OTHERWISE SPECIFIED:

0 PLC	±0.3
1 PLC	±0.3
2 PLC	±0.1
3 PLC	±
4 PLC	±
ANGLES	±1°
FINISH	-

MATERIAL: SEE TABLE

APVD: G. FARINOLA, R. MARTINI, A. GENTILE

DATE: 23NOV2007

PRODUCT SPEC: 108-20298

APPLICATION SPEC: 411-20133

WEIGHT: 12.2

CUSTOMER DRAWING

SCALE: 2:1

SHEET: 1 OF 1

REV: B

STE TE Connectivity

NAME: 12 POS. FEMALE CONNECTOR ASSY FOR GEAR SENSOR

SIZE: A2

CAGE CODE: 0779

DRAWING NO: C-1563864

RESTRICTED TO: -