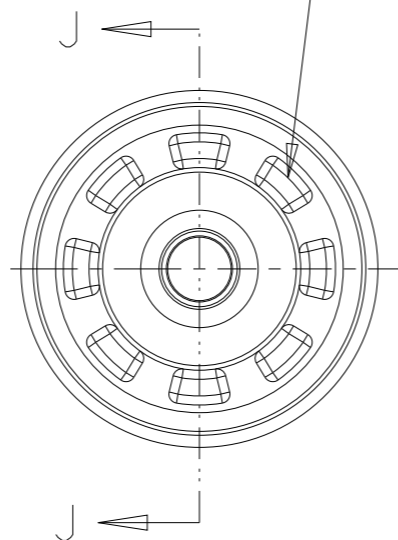
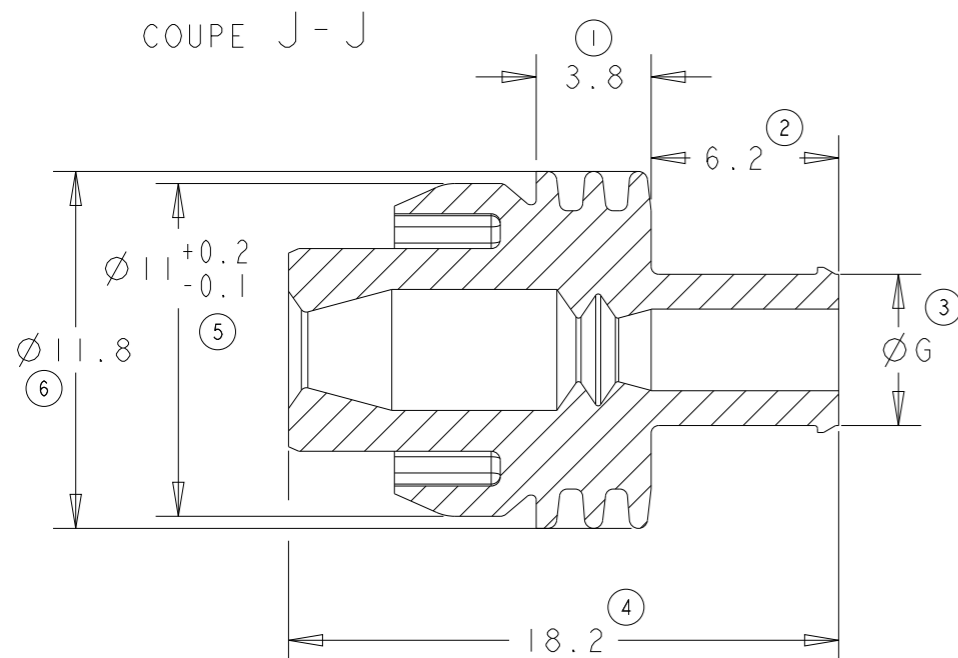


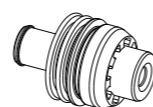
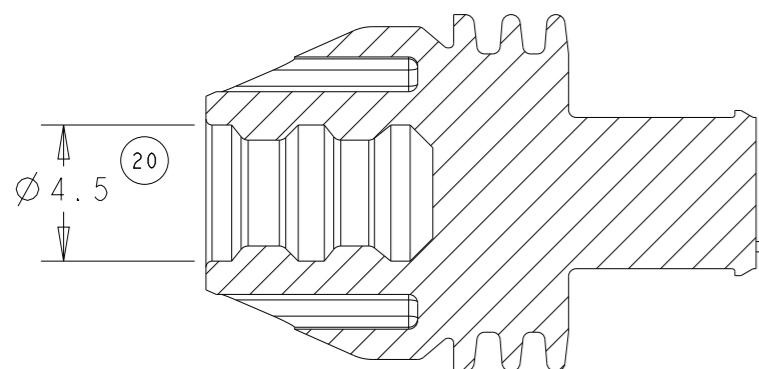
P	LTR	DESCRIPTION	DATE	DWN	APVD
A		FIRST ISSUE	08MAR2012	PCs	JDr
B		MATERIAL CHANGE FOR 1544970-4	30MAI2024	SE	FJ

8 TROUS POUR PN 1544970-1, -2 ET -4  
 6 TROUS POUR PN 1544970-3  
 8 HOLES FOR PN 1544970-1, -2 AND -4  
 6 HOLES FOR PN 1544970-3



DESIGNATION DESCRIPTION	MATIERE MATERIAL (30)	COULEUR COLOR	ØG	REF TE PN TE	MASSE WEIGHT	VIEW SCALE 3:2
JOINT UNIFILAIRE NG9K A SERTIR SINGLE WIRE SEAL NG9K SECTION : 2.5 A (TO) 5 mm2 Ø ISOLANT : 2.65 A 4 mm INSULATOR Ø : 2.65 TO 4 mm	SILICONE MVQ 50 (AUTOLUBRIFIE) SILICON (SELF- LUBRICATED)	MARRON BROWN	5	1544970-1	0.95g	
JOINT UNIFILAIRE NG9K A SERTIR SINGLE WIRE SEAL NG9K SECTION : 6 A (TO) 7 mm2 Ø ISOLANT : 4.1 A 5 mm INSULATOR Ø : 4.1 TO 5 mm	SILICONE MVQ 50 (AUTOLUBRIFIE) SILICON (SELF- LUBRICATED)	BLEU BLUE	6.4	1544970-2	0.93g	
JOINT UNIFILAIRE NG9K A SERTIR SINGLE WIRE SEAL NG9K SECTION : 10 mm2 Ø ISOLANT : 6 mm MAXI INSULATOR Ø : 6 mm MAXI	SILICONE MVQ 50 (AUTOLUBRIFIE) SILICON (SELF- LUBRICATED)	JAUNE YELLOW	7.2	1544970-3	0.89g	
BOUCHON NG9K NG9K PLUG	SILICONE MVQ 60 SILICON	BLANC WHITE	5	1544970-4	1.04g	

**BOUCHON NG9K  
NG9K PLUG**



ECHELLE 1:1  
SCALE 1:1

**NOTES :**

- LES LEVRES DU JOINT DOIVENT ETRES EXEMPTES DE BAVURES, COUPURES OU DEFAUTS D'ASPECT.
- LES SURFACES INTERIEURES DOIVENT ETRES EXEMPTES DE DEFAUTS, BAVURES, COUPURES OU DEFORMATIONS.
- (X) = POUR INFORMATION
- SEAL MUST NOT PRESENT BURRS, CRACKS OR SURFACES DEFECT.
- THE INSIDE AREAS MUST NOT PRESENT DEFECTS, BURRS, CRACKS OR DEFORMATIONS.
- (X) = FOR INFORMATION

THIS DRAWING IS A CONTROLLED DOCUMENT.		DWN P.CHARLES	08MAR12	TE Connectivity													
DIMENSIONS: mm		CHK P.FLORES	08MAR12														
TOLERANCES UNLESS OTHERWISE SPECIFIED:		APVD J.DAHER	08MAR12	NAME -													
<table border="1"> <tr><td>Ø PLC</td><td>±0.15</td></tr> <tr><td>1 PLC</td><td>±</td></tr> <tr><td>2 PLC</td><td>±</td></tr> <tr><td>3 PLC</td><td>±</td></tr> <tr><td>4 PLC</td><td>±</td></tr> <tr><td>ANGLES</td><td>±2°</td></tr> </table>		Ø PLC	±0.15	1 PLC	±	2 PLC	±	3 PLC	±	4 PLC	±	ANGLES	±2°	PRODUCT SPEC -		APPLICATION SPEC 411-15725	
Ø PLC	±0.15																
1 PLC	±																
2 PLC	±																
3 PLC	±																
4 PLC	±																
ANGLES	±2°																
MATERIAL SEE TABLE		WEIGHT SEE TABLE		SIZE A3	CAGE CODE 00779												
-		-		DRAWING NO 1544970													
-		-		RESTRICTED TO -													
-		-		SCALE 4:1	SHEET 1 OF 1												
-		-		REV B													