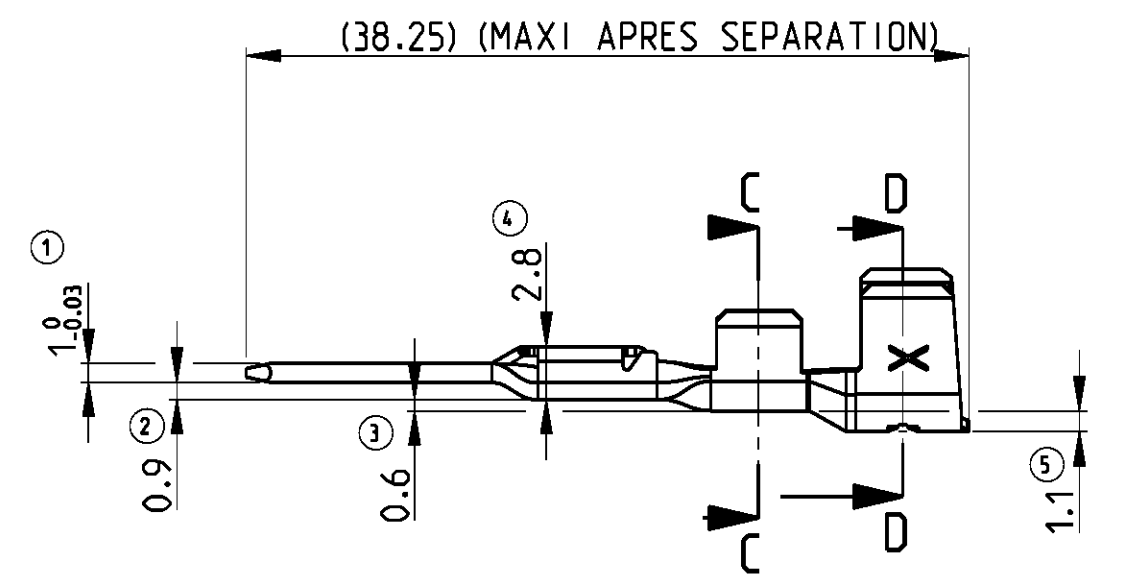
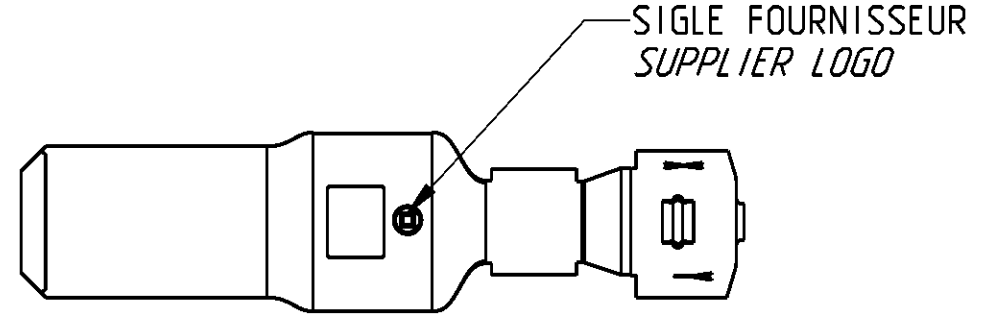
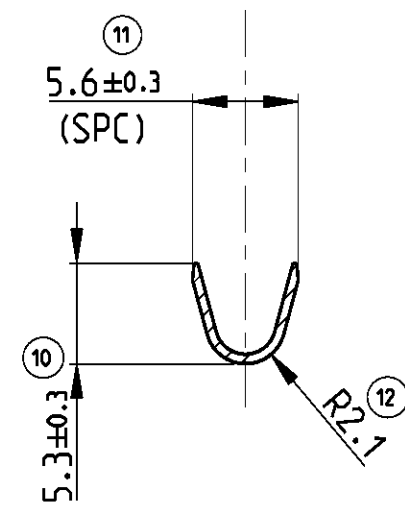


THIS DRAWING IS UNPUBLISHED. / DIFFUSION RESTREINTE  
 RELEASED FOR PUBLICATION / LIBRE A LA DIFFUSION  
 2010  
 BY TYCO ELECTRONICS CORPORATION. ALL INTERNATIONAL RIGHTS RESERVED. / TOUS DROITS INTERNATIONAUX RESERVES.

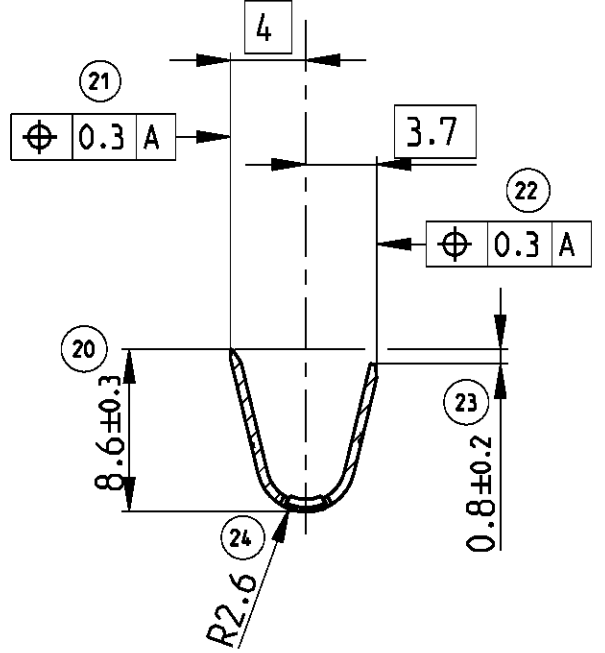
LOC	DIST	REVISIONS					
		P	LTR	DESCRIPTION MODIFICATIONS	DATE	DWN DESS.	APVD APP.
-	00	-	-				



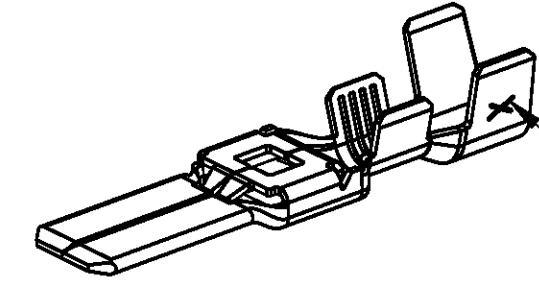
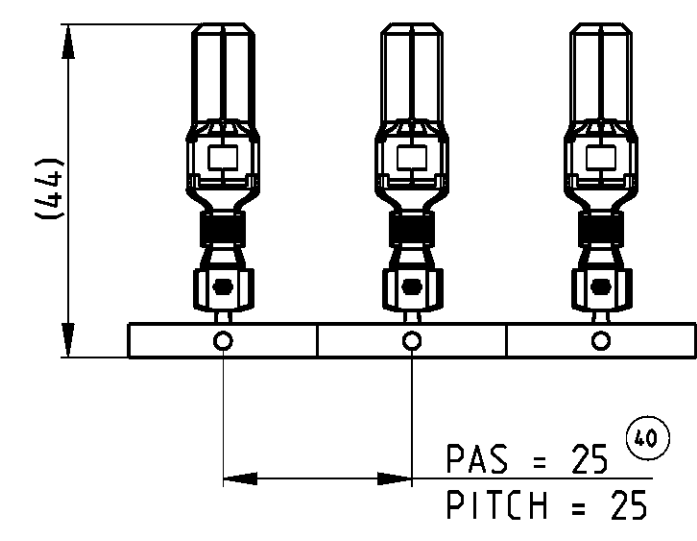
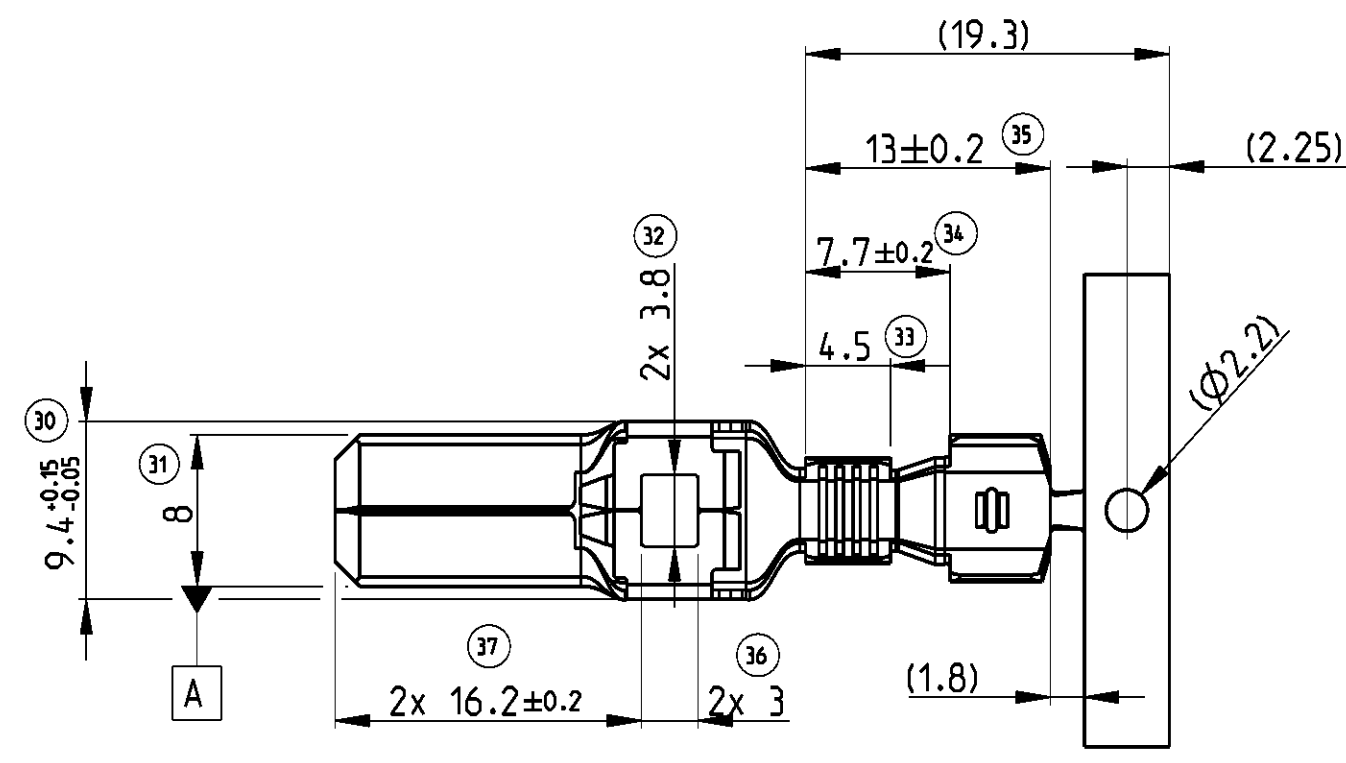
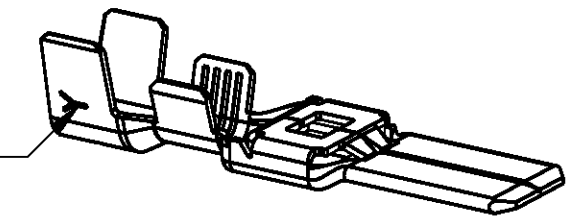
COUPE C-C / SECTION C-C



COUPE D-D / SECTION D-D



Y = IDENTIFICATION MATIERE EN Cu MICRO ALLIE, VOIR TABLEAU  
 Y = MATERIAL IN Cu MICRO ALLOY SEE DESCRIPTION IN TABLE



IDENTIFICATION DE LA GAMME "A" = DE 2.5 A 4 MM2  
 WIRE RANGE IDENTIFICATION "A" = FROM 2.5 TO 4 MM2

NOTA		NOTES	
1	(X) = POUR INFORMATION	1	(X) = FOR INFORMATION
2	CONDITIONNEMENT : VOIR SPECIFICATION 107-15603	2	PACKAGING : SEE SPECIFICATION 107-15603
3	SPC = DIMENSION SUIVIE EN SPC	3	SPC = DIMENSION WITH MANUFACTURING CONTROL

REFERENCE / PV TYCO Electronics	REFERENCE CLIENT PV CUSTOMER	Y : REPERE MATIERE MATERIAL REPERE	MATIERE MATERIAL	TRAITEMENT DE SURFACE HEAT TREATMENT
1544967-1		S	CuSnMg SELON SPECIFICATION: 100-421 H02	PRE-ETAME SnAg DE 1 A 3µ SELON SPECIFICATION 112-73-2 PRE-TINNED SnAg FROM 1 TO 3µ ACCORDING SPECIFICATION 112-73-2
1544967-2		T	CuSnMg ACCORDING TO SPECIFICATION: 100-421 H02	PRE-ARGENTE Ag DE 1 A 3µ SELON SPECIFICATIONS 212-7, 112-32 ET 118-91 PRE-SILVERED Ag FROM 1 TO 3µ ACCORDING SPECIFICATIONS 212-7, 112-32 AND 118-91

PRODUIT ASSOCIE / APPLIED PRODUCT			
DESIGNATION DES JOINTS SEALS DESCRIPTION	REFERENCE / PV TYCO Electronics	REFERENCE / PV CUSTOMER	COULEUR COLOR
JOINT UNIFILAIRE NG9K 2.5 A 5 MM2 NG9K SINGLE WIRE SEAL 2.5 TO 5 MM2	1544970-1		MARRON / BROWN
INTERFACE MONTABILITE / INTERFACE CAVITY			
1801558			

THIS DRAWING IS A CONTROLLED DOCUMENT FOR TYCO ELECTRONICS CORPORATION. IT IS SUBJECT TO CHANGE AND THE CONTROLLING ENGINEERING ORGANIZATION SHOULD BE CONTACTED FOR THE LATEST REVISION. / CE PLAN EST UN DOCUMENT CONTROLÉ PAR AND RECOMPTABILITÉ. IL EST SUSCEPTIBLE D'ÊTRE MODIFIÉ. CONTACTER LE SERVICE TECHNIQUE D'AMÉRIQUE POUR OBTENIR LA DERNIÈRE RÉVISION.

DIMENSIONS: mm

TOLERANCES UNLESS OTHERWISE SPECIFIED: (TOLERANCES NON SPECIFIEES (SAUF INDICATION DE DECIMALES))

P.L.C. DEC ± 0.1  
 2 P.L.C. DEC ± 0.1  
 B P.L.C. DEC ± 0.1  
 P.L.C. DEC ± 0.1

ANGLES: #2°

MATERIAL MATIERE: SEE TABLE  
 FINISH FINITION: SEE TABLE

DWN/DESSINE: P. FLORES 01FEB10  
 CHK/VERIFIE: L. CORONELLI 01FEB10  
 APVD/APPROUVE: J. DAHER 01FEB10

PRODUCT SPEC: 108-15382  
 APPLICATION SPEC: 114-15108

WEIGHT MASSE APPROX.: 0.002kg

CUSTOMER DRAWING / PLAN CLIENT

UNIQUEMENT POUR REFERENCE / ECHELLE: 5:2

SHEET FEUILLE 1 OF DE 1

RESTRICTED TO RESERVE A

REV A