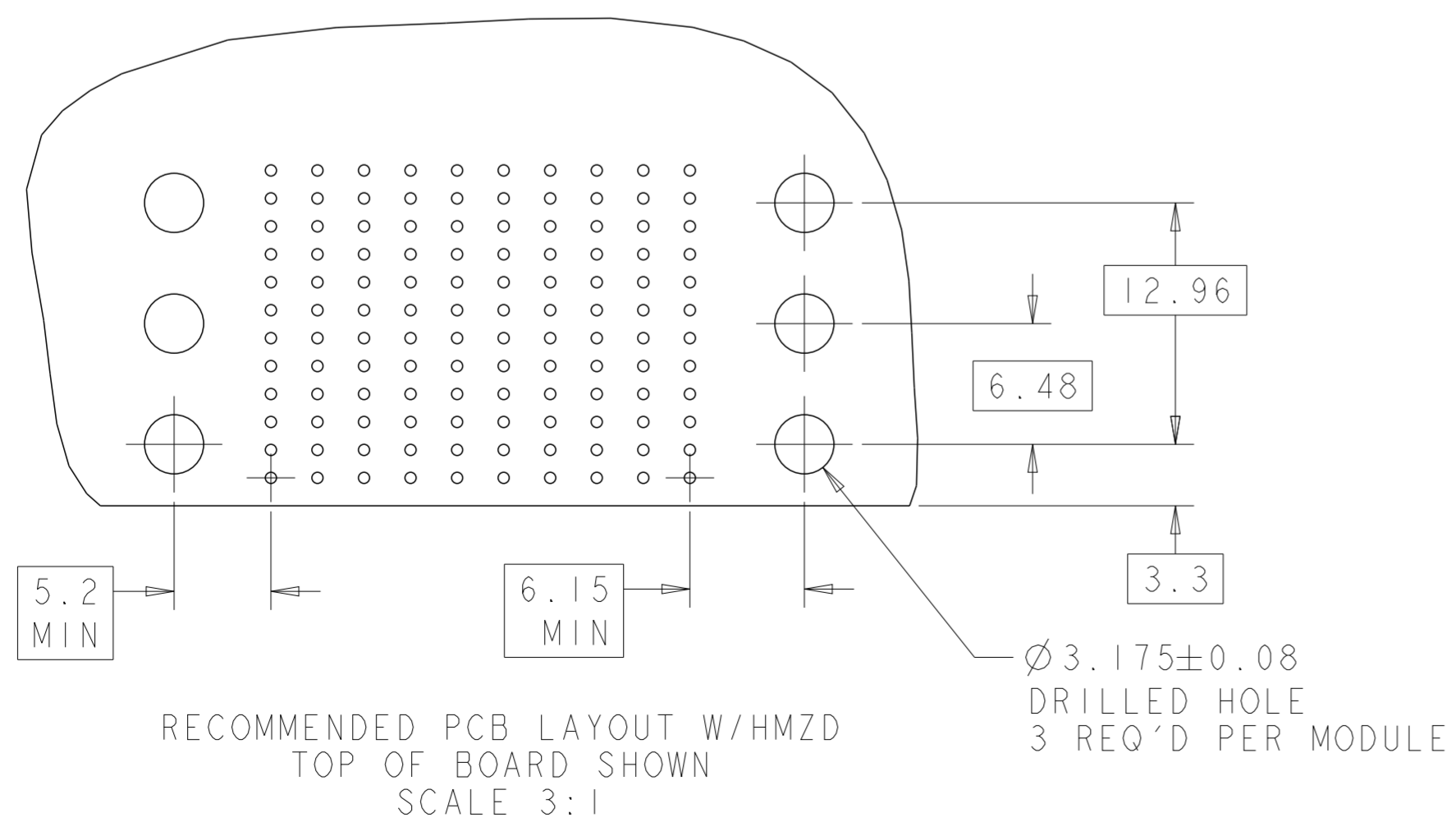
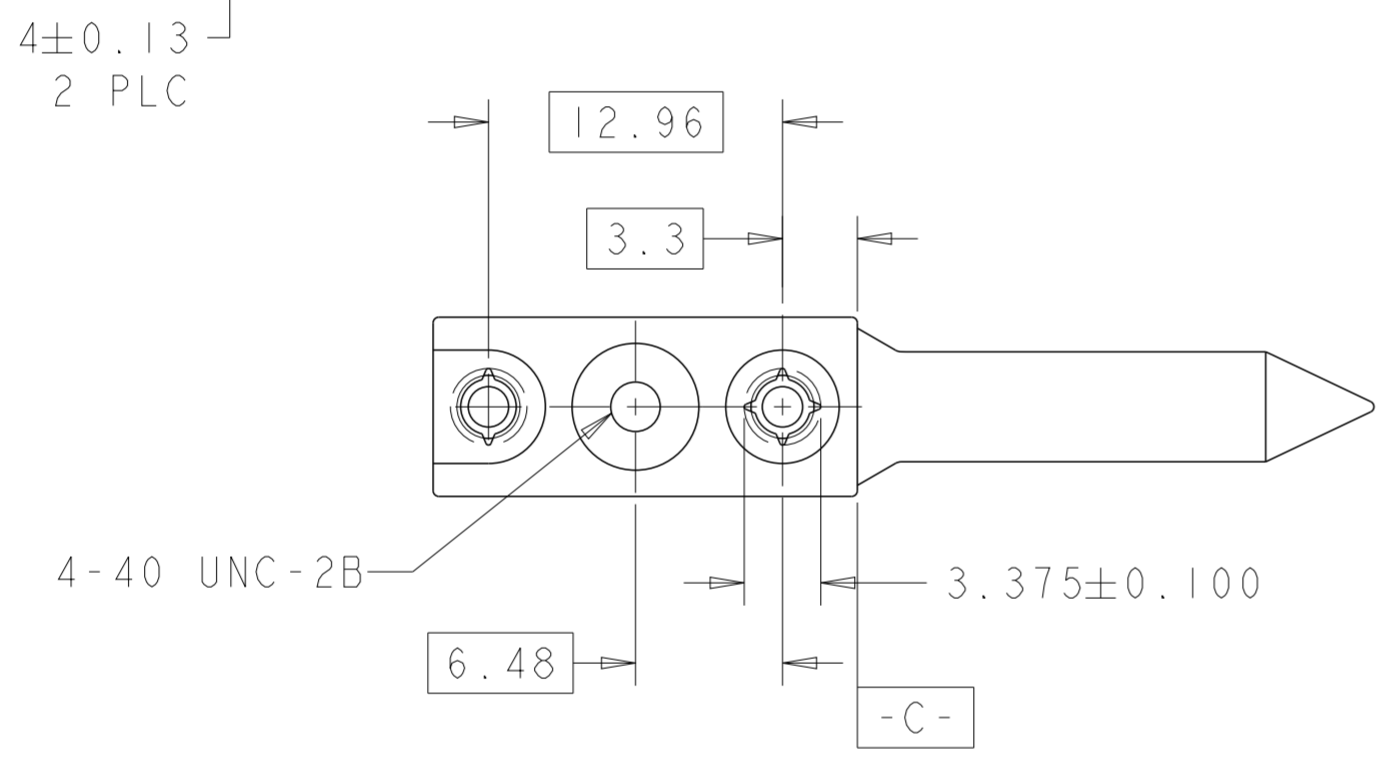
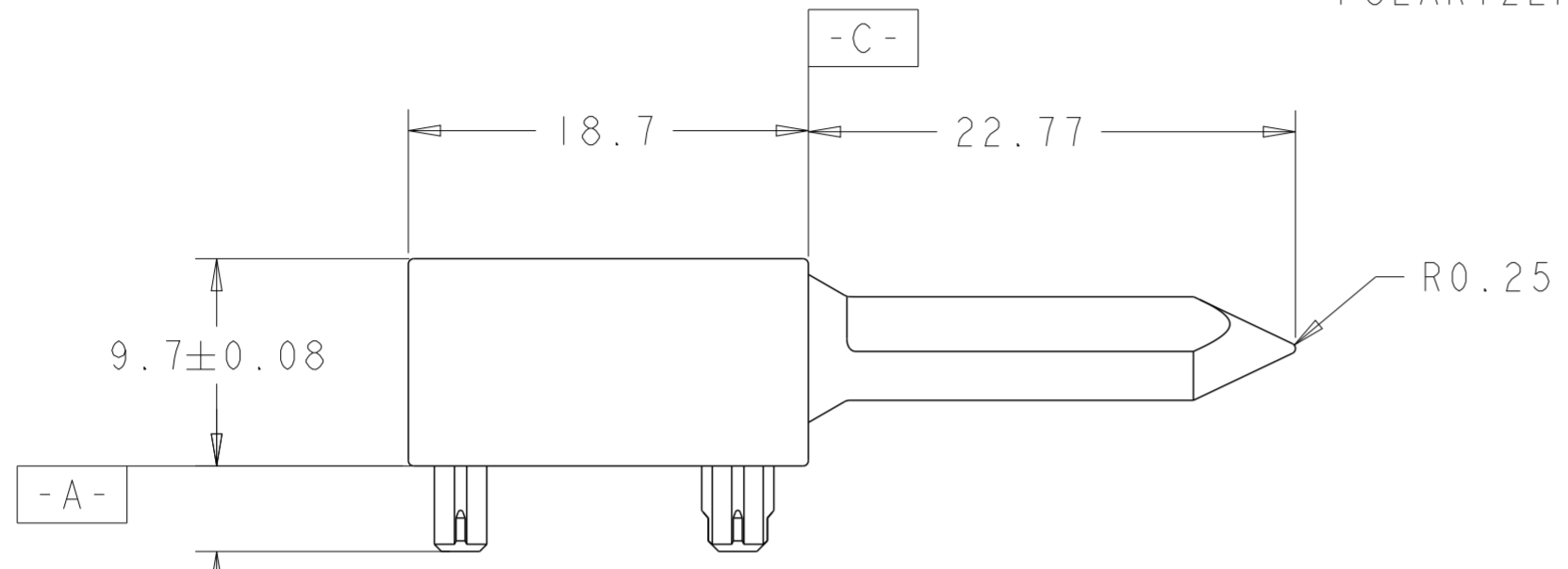
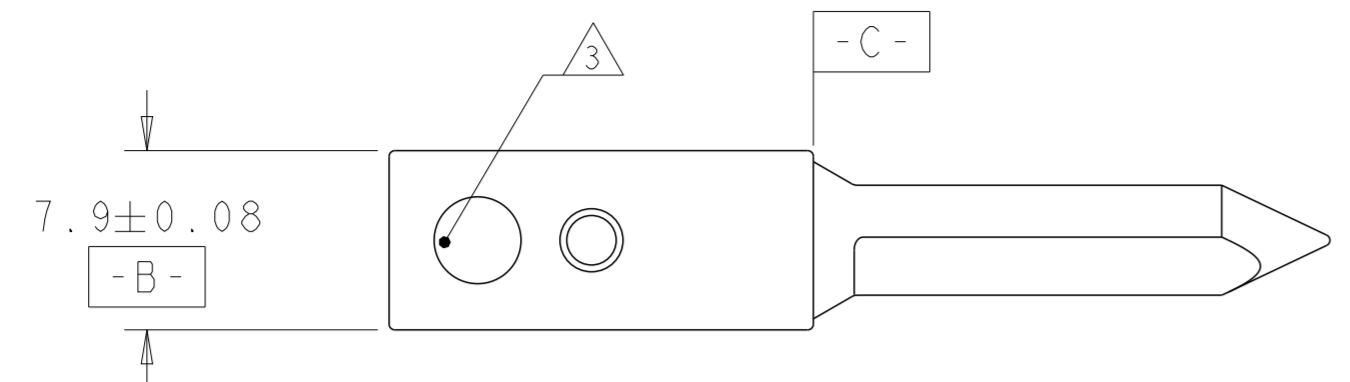
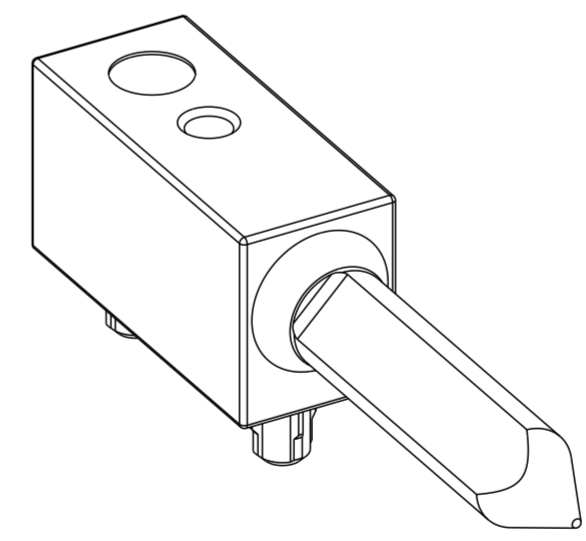
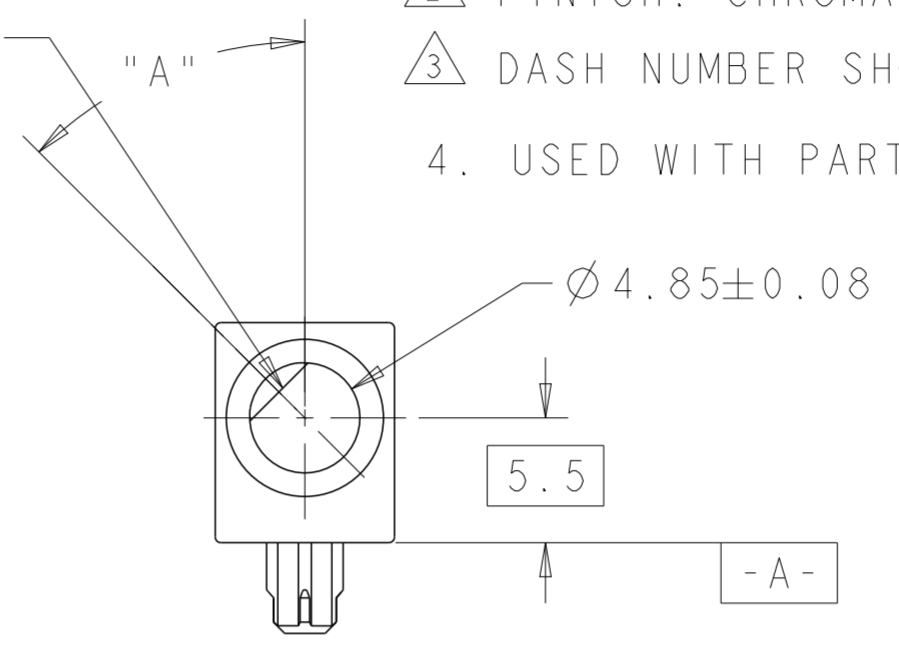


THIS DRAWING IS UNPUBLISHED. RELEASED FOR PUBLICATION 20  
 © COPYRIGHT 20 BY TYCO ELECTRONICS CORPORATION. ALL RIGHTS RESERVED.

LOC	DIST	REVISIONS					
CG	00	P	LTR	DESCRIPTION	DATE	DWN	APVD
		A1		REVISED PER ECO-10-016204	09AUG2010	DH	DY
		A2		REV PER ECR-22-128764	07FEB2022	ML	SH



△1 MATERIAL: ZINC ALLOY DIE CAST, ZAMAK 3.  
 △2 FINISH: CHROMATE CONVERSION COATING. ROHS COMPLIANT.  
 △3 DASH NUMBER SHOWN THIS LOCATION.  
 4. USED WITH PART NUMBER 223986-X.



1469265-2 AS SHOWN

N/A (ROUND)	1469265-9
315°	1469265-8
270°	1469265-7
225°	1469265-6
180°	1469265-5
135°	1469265-4
90°	1469265-3
45°	1469265-2
0°	1469265-1
DIM A	PART NUMBER

THIS DRAWING IS A CONTROLLED DOCUMENT FOR TYCO ELECTRONICS CORPORATION. IT IS SUBJECT TO CHANGE AND THE CONTROLLING ENGINEERING ORGANIZATION SHOULD BE CONTACTED FOR THE LATEST REVISION.		DWN D. SZCZESNY 25OCT2002	Tyco Electronics Harrisburg, PA 17105-3608	
DIMENSIONS: mm		CHK R. PATTERSON 31AUG2006	NAME UNIVERSAL POWER MODULE RIGHT ANGLE MALE GUIDE PIN, KEYED	
TOLERANCES UNLESS OTHERWISE SPECIFIED: 0 PLC ± 1 PLC ±0.5 2 PLC ±0.15 3 PLC ±0.100 4 PLC ± ANGLES ±5°		APVD R. PATTERSON 31AUG2006	SIZE A2	
MATERIAL △1		FINISH △2	CAGE CODE 00779	DRAWING NO G-1469265
CUSTOMER DRAWING		WEIGHT	SCALE 3:1	RESTRICTED TO SHEET 1 OF 1 REV A2