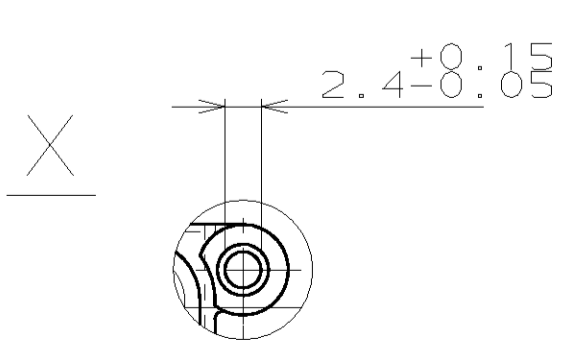
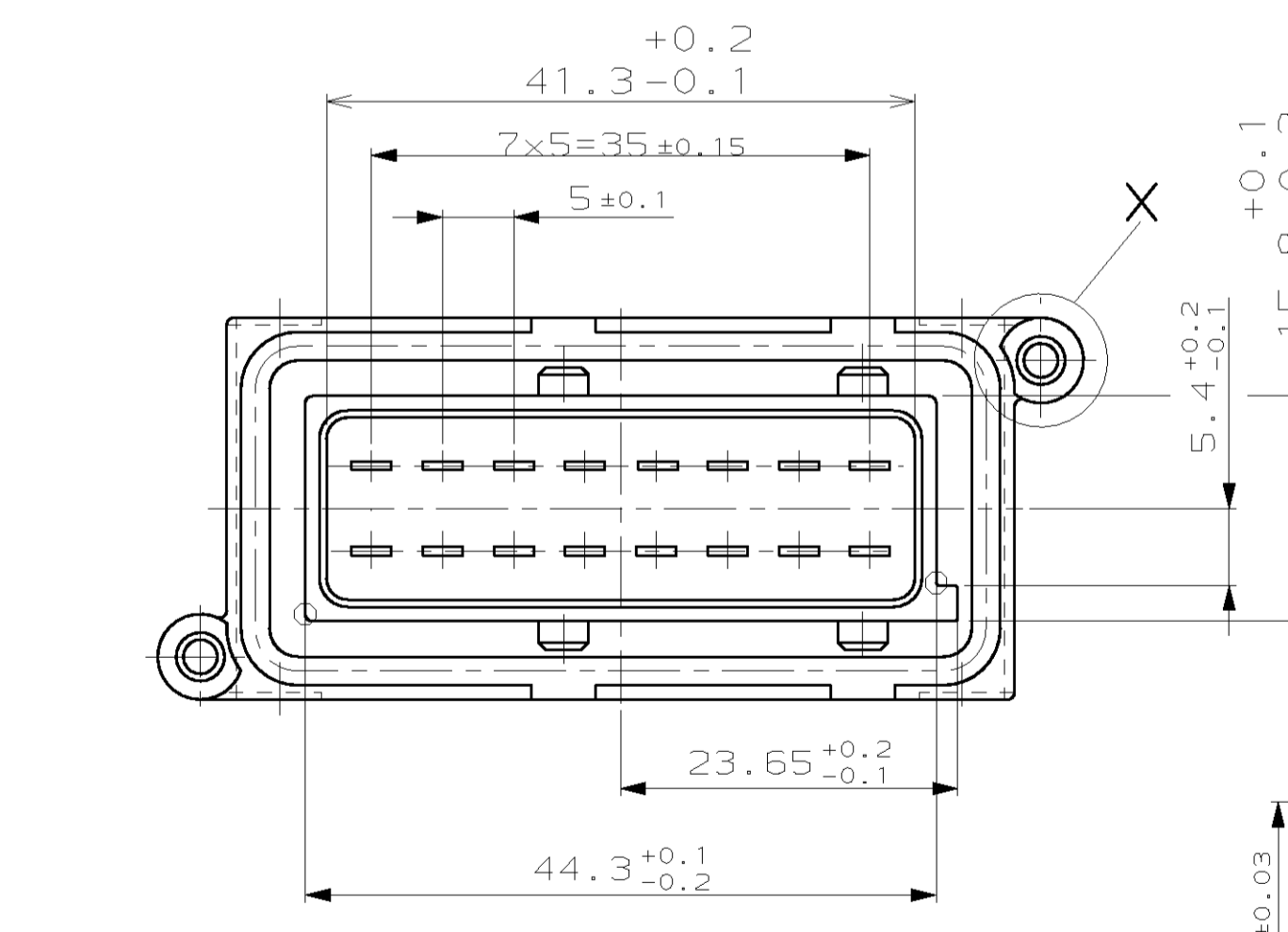
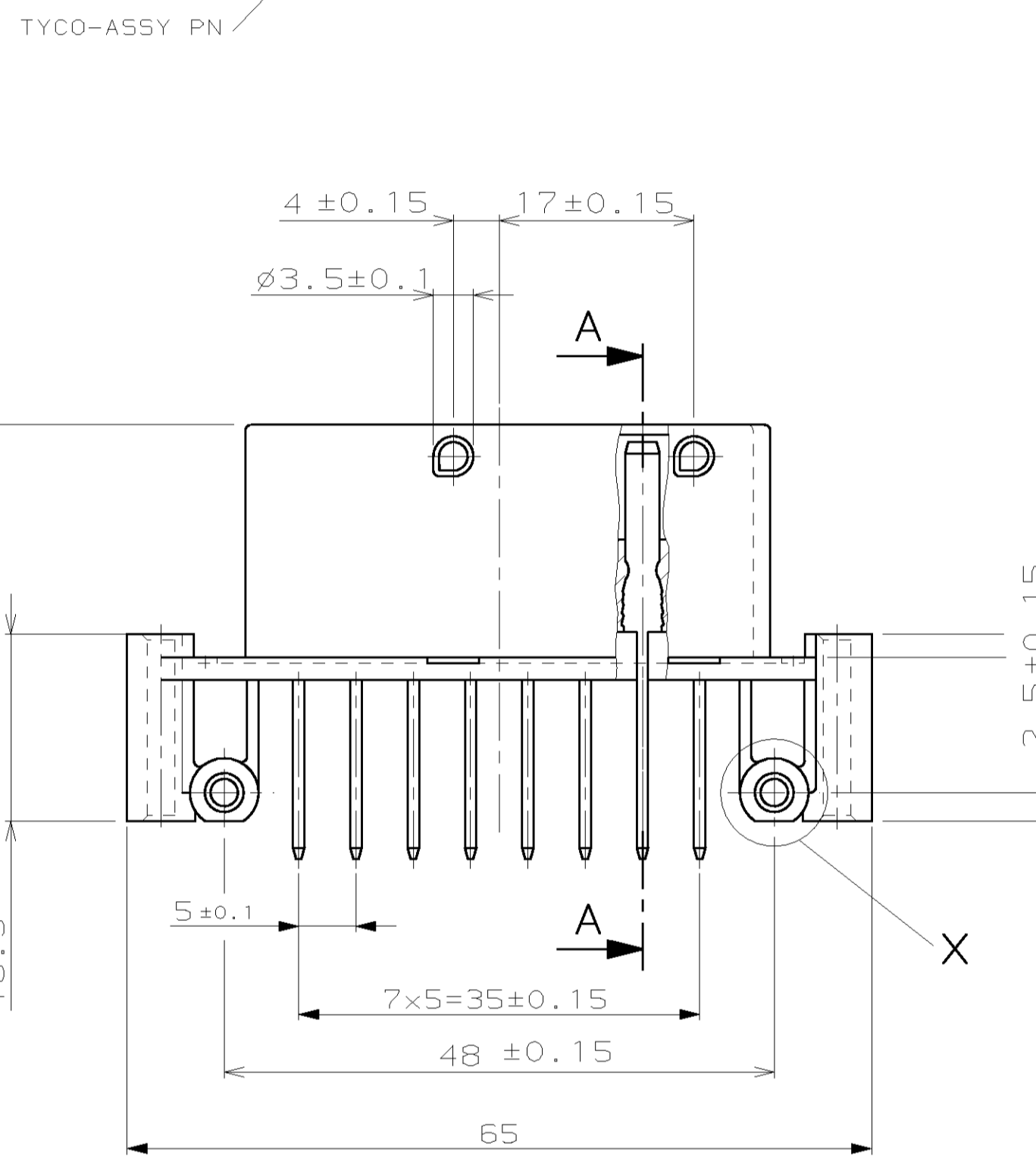
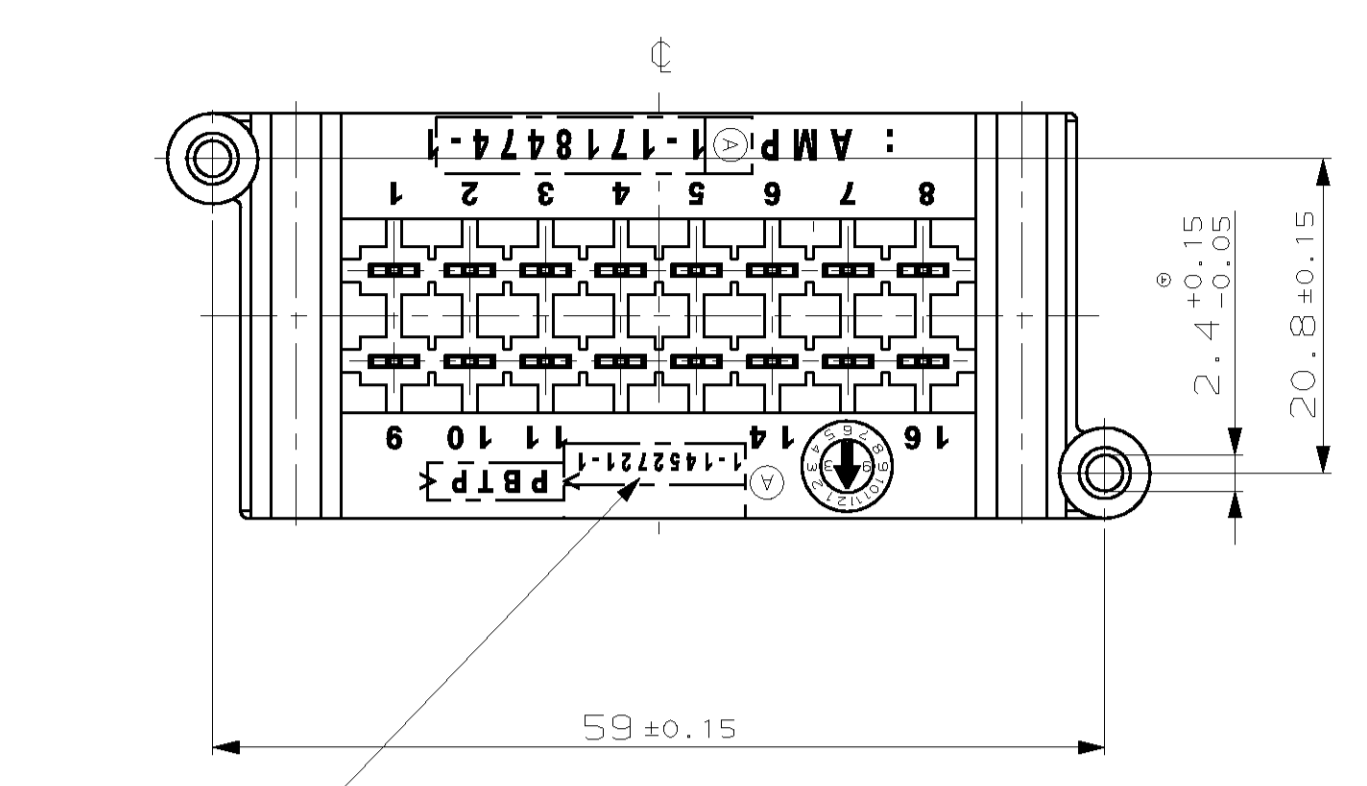
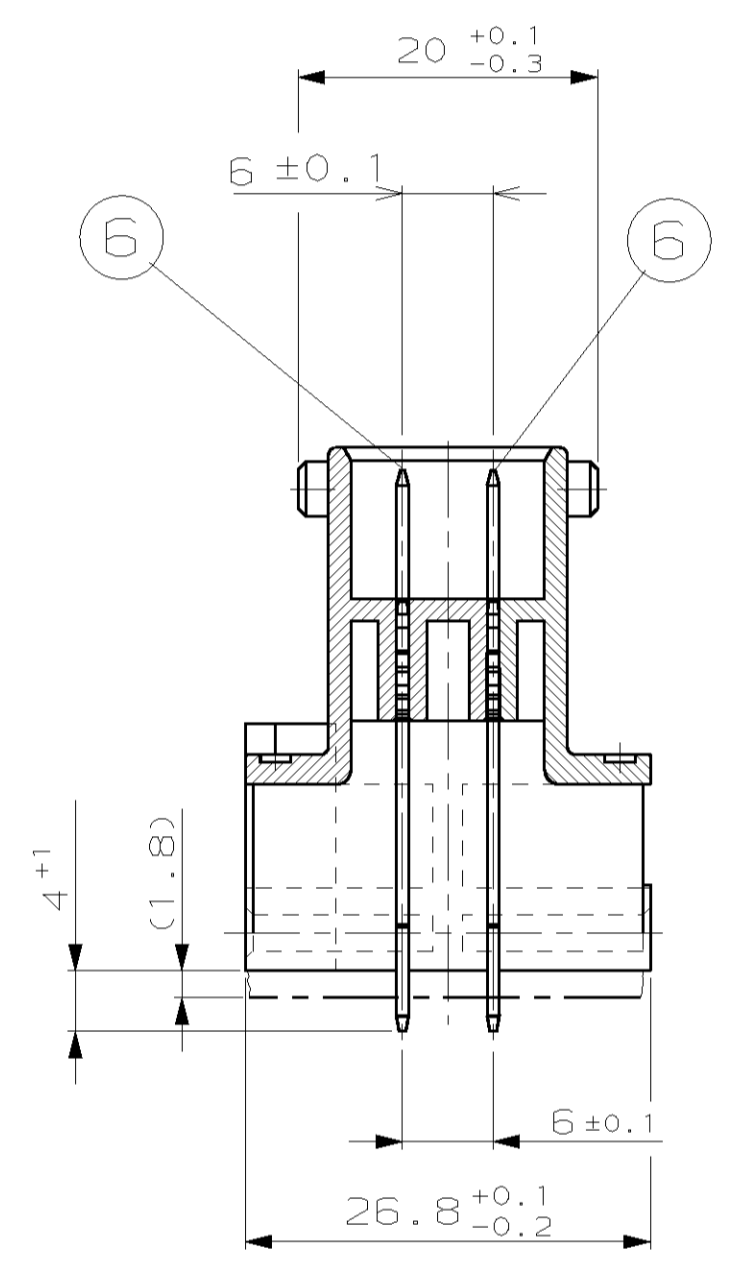


967242

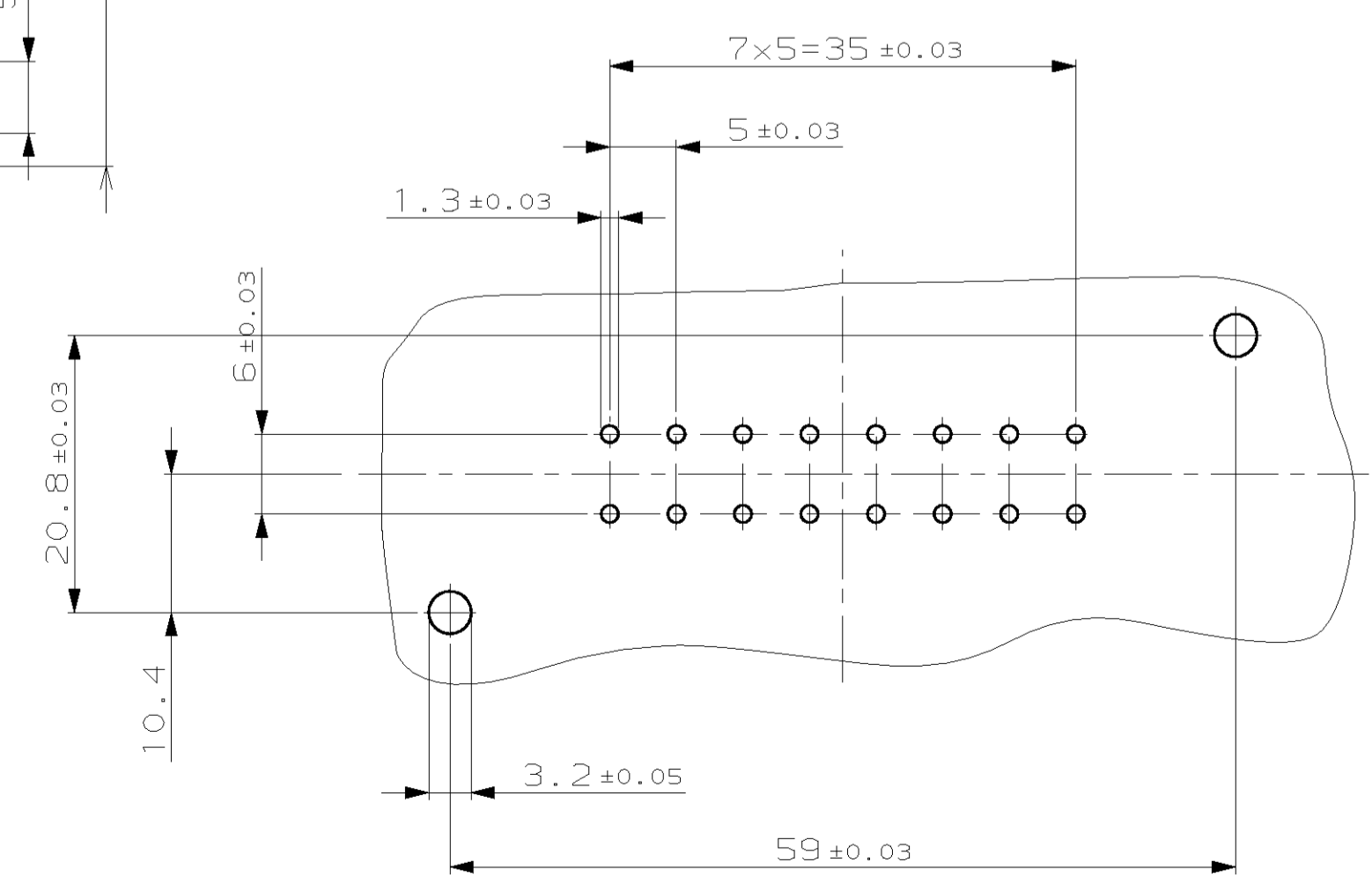
KODIERUNG A1



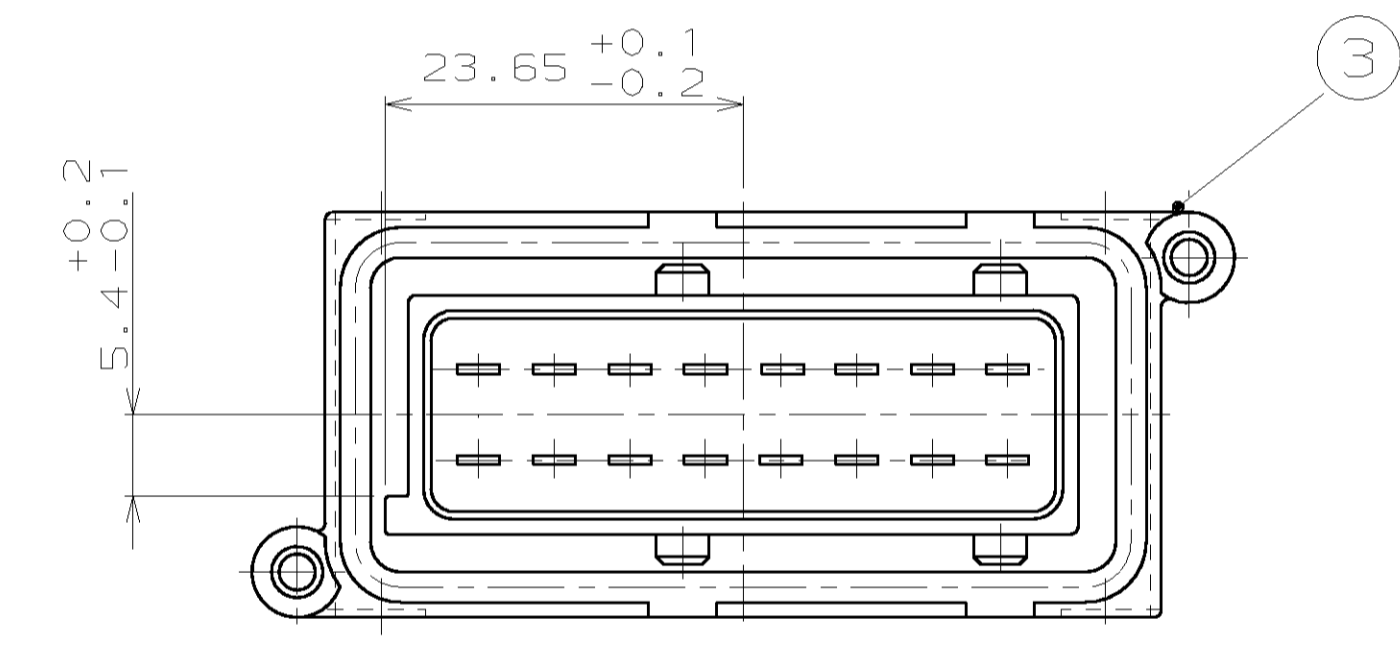
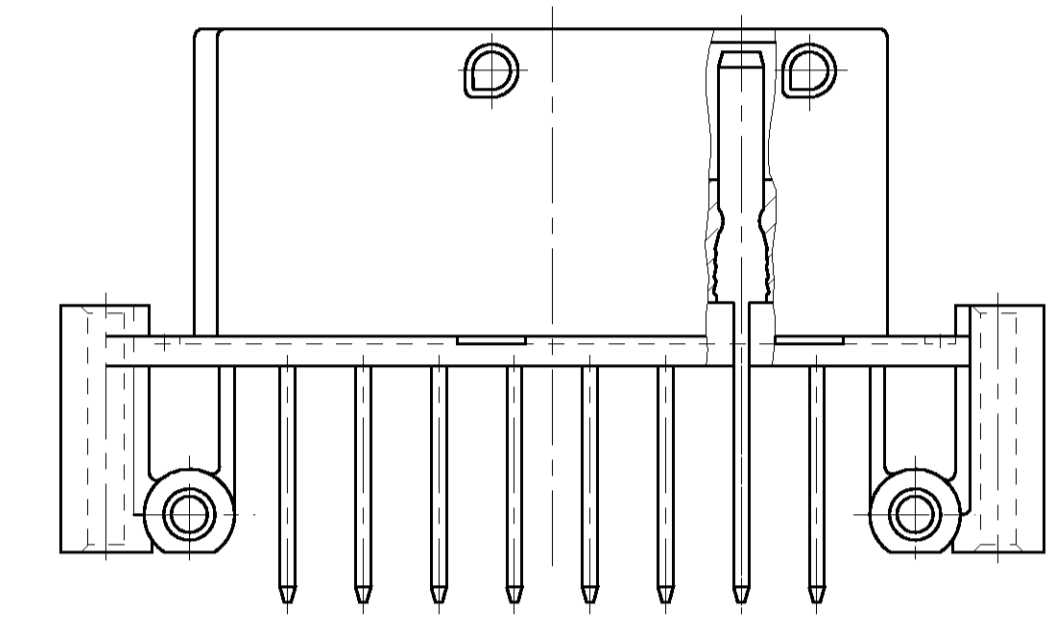
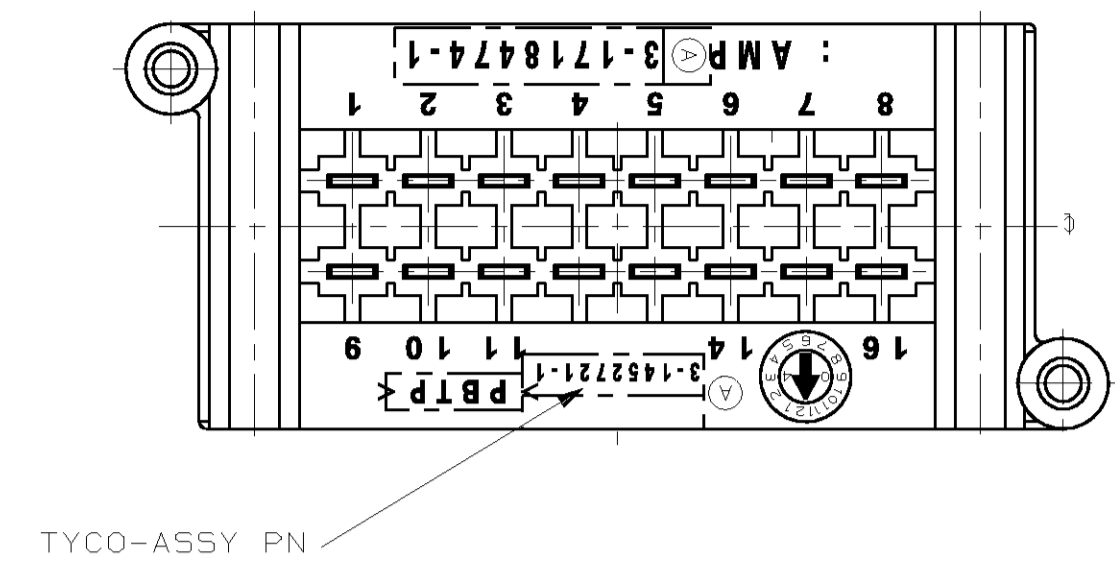
A-A



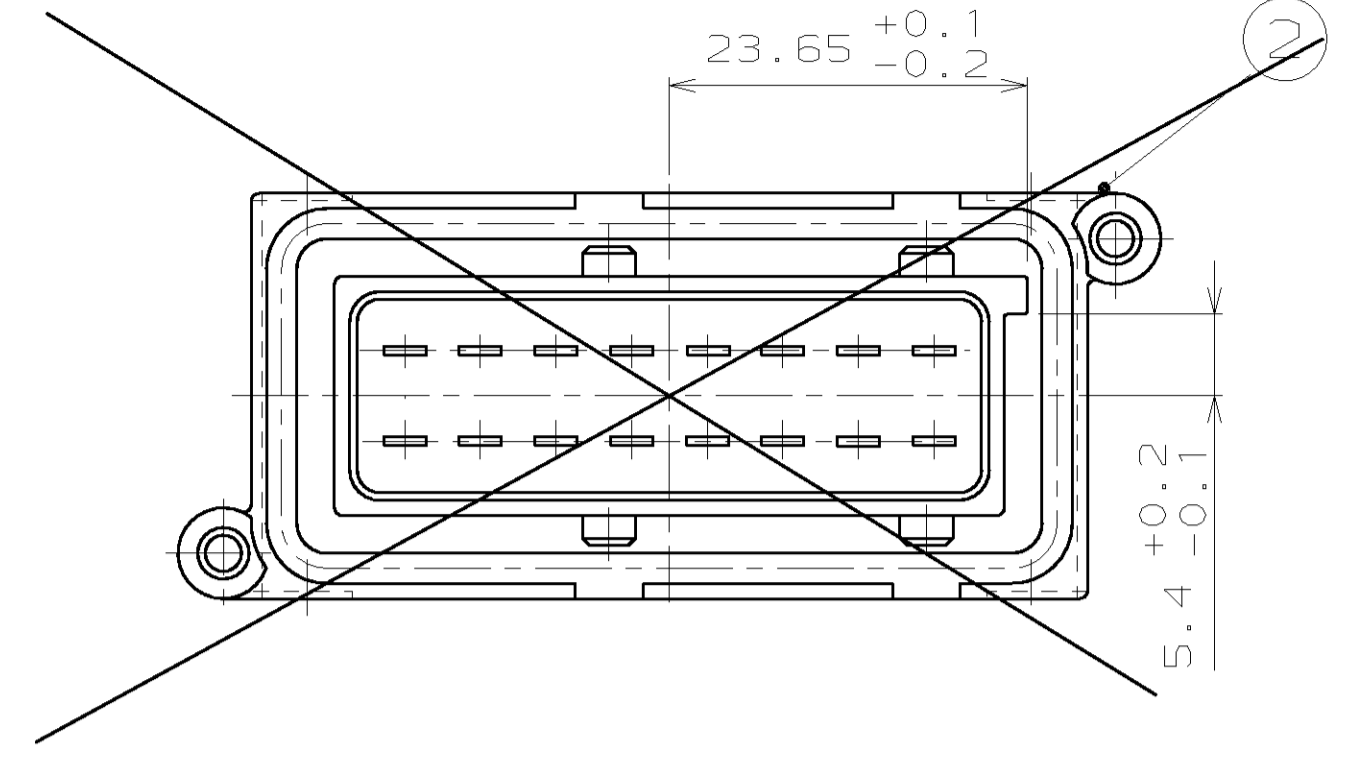
PCB-LAYOUT FÜR 180° VERSION



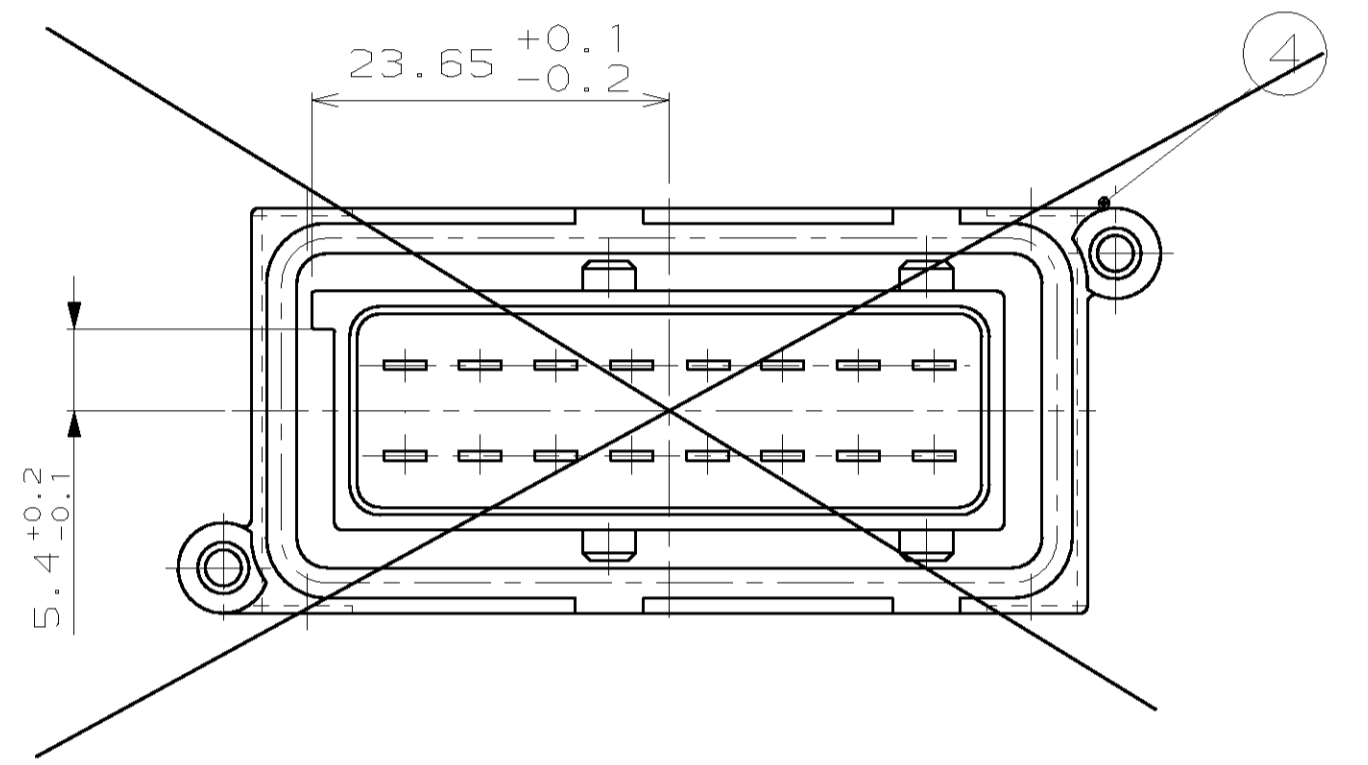
KODIERUNG C1



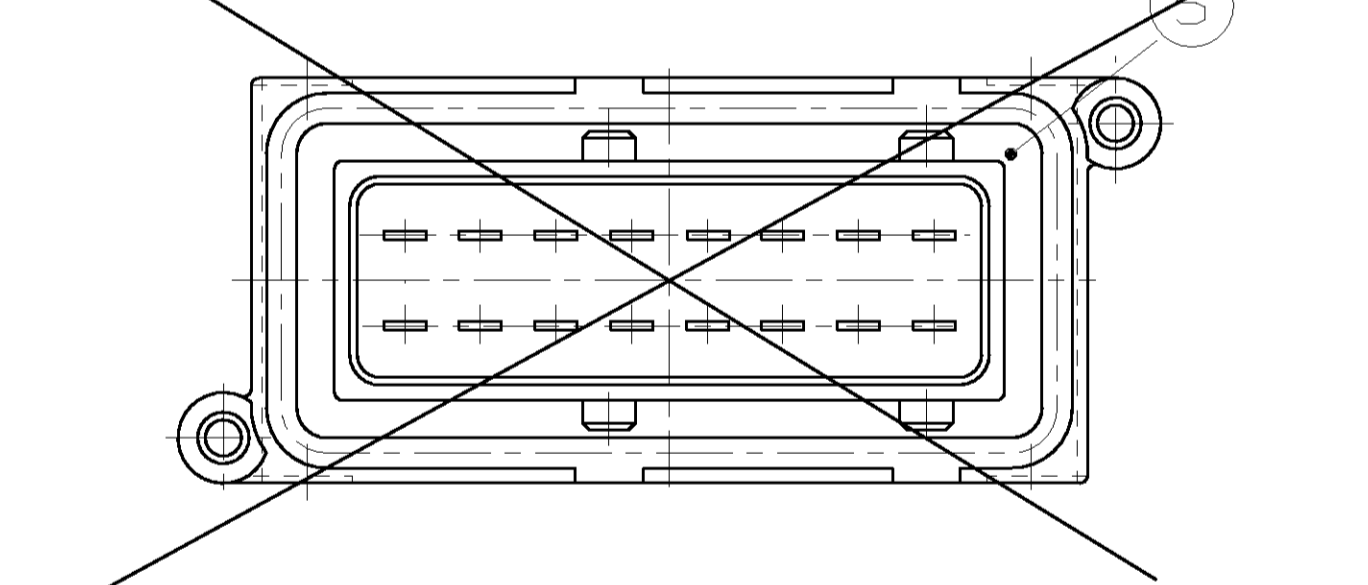
KODIERUNG B1



KODIERUNG D1



KODIERUNG N



NOTES
Bemerkungen

- 1 TOLERANCES UNLESS OTHERWISE SPECIFIED ±0.3
Toleranzen wenn nicht anders spezifiziert ±0.3
- 2 LAYERPACKAGED IN CARTON
Lagenverpackt in Karton

Passend zu AMP-Gegenstück:
 MATED WITH AMP-COUNTERPART:
 JPT Buchsengehäuse, 16pol. X-967242-1
 JPT REC.HOUSING, 16POS. X-967242-1

Zu Verwenden mit:
 USED WITH:
 Dichtung, 16pol. 963216-1
 SEAL, 16POS. 963216-1

LOC	QTY	REV	LYR	DESCRIPTION	DATE	OWN	APPRO
AI	-	F	A1	SEE PCN E600-1576-03	30APR03	H.M.	T.K.
EGATN02147			A2	SEE PCN, E6A0-0749-04-01	25MAR04	M.D.	T.K.
EGAUTO2191			B	SEE PCN, E6A0-1487-04-01	21JUN04	M.D.	T.K.

REV.	STÖCK	POS.	BENENNUNG EINZELTEIL	WERKSTOFF	OBERFLÄCHE FARBE
1	8		Zentrierplatte	PBT-GF30	schwarz
16	6		TAB	CuSn4 F41	vorverzinnt
1	5		2.8 Messerl., 16p	PBT-GF30	weiß
1	8		Zentrierplatte	PBT-GF30	schwarz
16	6		TAB	CuSn4 F41	vorverzinnt
1	4		2.8 Messerl., 16p	PBT-GF30	blau
1	8		Zentrierplatte	PBT-GF30	schwarz
16	6		TAB	CuSn4 F41	vorverzinnt
1	3		2.8 Messerl., 16p	PBT-GF30	blau
1	8		Zentrierplatte	PBT-GF30	schwarz
16	6		TAB	CuSn4 F41	vorverzinnt
1	2		2.8 Messerl., 16p	PBT-GF30	blau
1	8		Zentrierplatte	PBT-GF30	schwarz
16	6		TAB	CuSn4 F41	vorverzinnt
1	1		2.8 Messerl., 16p	PBT-GF30	schwarz

DIMENSIONS: mm TOLERANCES UNLESS OTHERWISE SPECIFIED: P: ±0.25, R: ±0.25, F: ±0.25, S: ±0.25, H: ±0.25, A: ±0.25, B: ±0.25, C: ±0.25, D: ±0.25, E: ±0.25, F: ±0.25, G: ±0.25, H: ±0.25, I: ±0.25, J: ±0.25, K: ±0.25, L: ±0.25, M: ±0.25, N: ±0.25, O: ±0.25, P: ±0.25, Q: ±0.25, R: ±0.25, S: ±0.25, T: ±0.25, U: ±0.25, V: ±0.25, W: ±0.25, X: ±0.25, Y: ±0.25, Z: ±0.25, AA: ±0.25, AB: ±0.25, AC: ±0.25, AD: ±0.25, AE: ±0.25, AF: ±0.25, AG: ±0.25, AH: ±0.25, AI: ±0.25, AJ: ±0.25, AK: ±0.25, AL: ±0.25, AM: ±0.25, AN: ±0.25, AO: ±0.25, AP: ±0.25, AQ: ±0.25, AR: ±0.25, AS: ±0.25, AT: ±0.25, AU: ±0.25, AV: ±0.25, AW: ±0.25, AX: ±0.25, AY: ±0.25, AZ: ±0.25, BA: ±0.25, BB: ±0.25, BC: ±0.25, BD: ±0.25, BE: ±0.25, BF: ±0.25, BG: ±0.25, BH: ±0.25, BI: ±0.25, BJ: ±0.25, BK: ±0.25, BL: ±0.25, BM: ±0.25, BN: ±0.25, BO: ±0.25, BP: ±0.25, BQ: ±0.25, BR: ±0.25, BS: ±0.25, BT: ±0.25, BU: ±0.25, BV: ±0.25, BW: ±0.25, BX: ±0.25, BY: ±0.25, BZ: ±0.25, CA: ±0.25, CB: ±0.25, CC: ±0.25, CD: ±0.25, CE: ±0.25, CF: ±0.25, CG: ±0.25, CH: ±0.25, CI: ±0.25, CJ: ±0.25, CK: ±0.25, CL: ±0.25, CM: ±0.25, CN: ±0.25, CO: ±0.25, CP: ±0.25, CQ: ±0.25, CR: ±0.25, CS: ±0.25, CT: ±0.25, CU: ±0.25, CV: ±0.25, CW: ±0.25, CX: ±0.25, CY: ±0.25, CZ: ±0.25, DA: ±0.25, DB: ±0.25, DC: ±0.25, DD: ±0.25, DE: ±0.25, DF: ±0.25, DG: ±0.25, DH: ±0.25, DI: ±0.25, DJ: ±0.25, DK: ±0.25, DL: ±0.25, DM: ±0.25, DN: ±0.25, DO: ±0.25, DP: ±0.25, DQ: ±0.25, DR: ±0.25, DS: ±0.25, DT: ±0.25, DU: ±0.25, DV: ±0.25, DW: ±0.25, DX: ±0.25, DY: ±0.25, DZ: ±0.25, EA: ±0.25, EB: ±0.25, EC: ±0.25, ED: ±0.25, EE: ±0.25, EF: ±0.25, EG: ±0.25, EH: ±0.25, EI: ±0.25, EJ: ±0.25, EK: ±0.25, EL: ±0.25, EM: ±0.25, EN: ±0.25, EO: ±0.25, EP: ±0.25, EQ: ±0.25, ER: ±0.25, ES: ±0.25, ET: ±0.25, EU: ±0.25, EV: ±0.25, EW: ±0.25, EX: ±0.25, EY: ±0.25, EZ: ±0.25, FA: ±0.25, FB: ±0.25, FC: ±0.25, FD: ±0.25, FE: ±0.25, FF: ±0.25, FG: ±0.25, FH: ±0.25, FI: ±0.25, FJ: ±0.25, FK: ±0.25, FL: ±0.25, FM: ±0.25, FN: ±0.25, FO: ±0.25, FP: ±0.25, FQ: ±0.25, FR: ±0.25, FS: ±0.25, FT: ±0.25, FU: ±0.25, FV: ±0.25, FW: ±0.25, FX: ±0.25, FY: ±0.25, FZ: ±0.25, GA: ±0.25, GB: ±0.25, GC: ±0.25, GD: ±0.25, GE: ±0.25, GF: ±0.25, GG: ±0.25, GH: ±0.25, GI: ±0.25, GJ: ±0.25, GK: ±0.25, GL: ±0.25, GM: ±0.25, GN: ±0.25, GO: ±0.25, GP: ±0.25, GQ: ±0.25, GR: ±0.25, GS: ±0.25, GT: ±0.25, GU: ±0.25, GV: ±0.25, GW: ±0.25, GX: ±0.25, GY: ±0.25, GZ: ±0.25, HA: ±0.25, HB: ±0.25, HC: ±0.25, HD: ±0.25, HE: ±0.25, HF: ±0.25, HG: ±0.25, HH: ±0.25, HI: ±0.25, HJ: ±0.25, HK: ±0.25, HL: ±0.25, HM: ±0.25, HN: ±0.25, HO: ±0.25, HP: ±0.25, HQ: ±0.25, HR: ±0.25, HS: ±0.25, HT: ±0.25, HU: ±0.25, HV: ±0.25, HW: ±0.25, HX: ±0.25, HY: ±0.25, HZ: ±0.25, IA: ±0.25, IB: ±0.25, IC: ±0.25, ID: ±0.25, IE: ±0.25, IF: ±0.25, IG: ±0.25, IH: ±0.25, II: ±0.25, IJ: ±0.25, IK: ±0.25, IL: ±0.25, IM: ±0.25, IN: ±0.25, IO: ±0.25, IP: ±0.25, IQ: ±0.25, IR: ±0.25, IS: ±0.25, IT: ±0.25, IU: ±0.25, IV: ±0.25, IW: ±0.25, IX: ±0.25, IY: ±0.25, IZ: ±0.25, JA: ±0.25, JB: ±0.25, JC: ±0.25, JD: ±0.25, JE: ±0.25, JF: ±0.25, JG: ±0.25, JH: ±0.25, JI: ±0.25, JJ: ±0.25, JK: ±0.25, JL: ±0.25, JM: ±0.25, JN: ±0.25, JO: ±0.25, JP: ±0.25, JQ: ±0.25, JR: ±0.25, JS: ±0.25, JT: ±0.25, JU: ±0.25, JV: ±0.25, JW: ±0.25, JX: ±0.25, JY: ±0.25, JZ: ±0.25, KA: ±0.25, KB: ±0.25, KC: ±0.25, KD: ±0.25, KE: ±0.25, KF: ±0.25, KG: ±0.25, KH: ±0.25, KI: ±0.25, KJ: ±0.25, KK: ±0.25, KL: ±0.25, KM: ±0.25, KN: ±0.25, KO: ±0.25, KP: ±0.25, KQ: ±0.25, KR: ±0.25, KS: ±0.25, KT: ±0.25, KU: ±0.25, KV: ±0.25, KW: ±0.25, KX: ±0.25, KY: ±0.25, KZ: ±0.25, LA: ±0.25, LB: ±0.25, LC: ±0.25, LD: ±0.25, LE: ±0.25, LF: ±0.25, LG: ±0.25, LH: ±0.25, LI: ±0.25, LJ: ±0.25, LK: ±0.25, LL: ±0.25, LM: ±0.25, LN: ±0.25, LO: ±0.25, LP: ±0.25, LQ: ±0.25, LR: ±0.25, LS: ±0.25, LT: ±0.25, LU: ±0.25, LV: ±0.25, LW: ±0.25, LX: ±0.25, LY: ±0.25, LZ: ±0.25, MA: ±0.25, MB: ±0.25, MC: ±0.25, MD: ±0.25, ME: ±0.25, MF: ±0.25, MG: ±0.25, MH: ±0.25, MI: ±0.25, MJ: ±0.25, MK: ±0.25, ML: ±0.25, MM: ±0.25, MN: ±0.25, MO: ±0.25, MP: ±0.25, MQ: ±0.25, MR: ±0.25, MS: ±0.25, MT: ±0.25, MU: ±0.25, MV: ±0.25, MW: ±0.25, MX: ±0.25, MY: ±0.25, MZ: ±0.25, NA: ±0.25, NB: ±0.25, NC: ±0.25, ND: ±0.25, NE: ±0.25, NF: ±0.25, NG: ±0.25, NH: ±0.25, NI: ±0.25, NJ: ±0.25, NK: ±0.25, NL: ±0.25, NM: ±0.25, NO: ±0.25, NP: ±0.25, NQ: ±0.25, NR: ±0.25, NS: ±0.25, NT: ±0.25, NU: ±0.25, NV: ±0.25, NW: ±0.25, NX: ±0.25, NY: ±0.25, NZ: ±0.25, OA: ±0.25, OB: ±0.25, OC: ±0.25, OD: ±0.25, OE: ±0.25, OF: ±0.25, OG: ±0.25, OH: ±0.25, OI: ±0.25, OJ: ±0.25, OK: ±0.25, OL: ±0.25, OM: ±0.25, ON: ±0.25, OO: ±0.25, OP: ±0.25, OQ: ±0.25, OR: ±0.25, OS: ±0.25, OT: ±0.25, OU: ±0.25, OV: ±0.25, OW: ±0.25, OX: ±0.25, OY: ±0.25, OZ: ±0.25, PA: ±0.25, PB: ±0.25, PC: ±0.25, PD: ±0.25, PE: ±0.25, PF: ±0.25, PG: ±0.25, PH: ±0.25, PI: ±0.25, PJ: ±0.25, PK: ±0.25, PL: ±0.25, PM: ±0.25, PN: ±0.25, PO: ±0.25, PP: ±0.25, PQ: ±0.25, PR: ±0.25, PS: ±0.25, PT: ±0.25, PU: ±0.25, PV: ±0.25, PW: ±0.25, PX: ±0.25, PY: ±0.25, PZ: ±0.25, QA: ±0.25, QB: ±0.25, QC: ±0.25, QD: ±0.25, QE: ±0.25, QF: ±0.25, QG: ±0.25, QH: ±0.25, QI: ±0.25, QJ: ±0.25, QK: ±0.25, QL: ±0.25, QM: ±0.25, QN: ±0.25, QO: ±0.25, QP: ±0.25, QQ: ±0.25, QR: ±0.25, QS: ±0.25, QT: ±0.25, QU: ±0.25, QV: ±0.25, QW: ±0.25, QX: ±0.25, QY: ±0.25, QZ: ±0.25, RA: ±0.25, RB: ±0.25, RC: ±0.25, RD: ±0.25, RE: ±0.25, RF: ±0.25, RG: ±0.25, RH: ±0.25, RI: ±0.25, RJ: ±0.25, RK: ±0.25, RL: ±0.25, RM: ±0.25, RN: ±0.25, RO: ±0.25, RP: ±0.25, RQ: ±0.25, RR: ±0.25, RS: ±0.25, RT: ±0.25, RU: ±0.25, RV: ±0.25, RW: ±0.25, RX: ±0.25, RY: ±0.25, RZ: ±0.25, SA: ±0.25, SB: ±0.25, SC: ±0.25, SD: ±0.25, SE: ±0.25, SF: ±0.25, SG: ±0.25, SH: ±0.25, SI: ±0.25, SJ: ±0.25, SK: ±0.25, SL: ±0.25, SM: ±0.25, SN: ±0.25, SO: ±0.25, SP: ±0.25, SQ: ±0.25, SR: ±0.25, SS: ±0.25, ST: ±0.25, SU: ±0.25, SV: ±0.25, SW: ±0.25, SX: ±0.25, SY: ±0.25, SZ: ±0.25, TA: ±0.25, TB: ±0.25, TC: ±0.25, TD: ±0.25, TE: ±0.25, TF: ±0.25, TG: ±0.25, TH: ±0.25, TI: ±0.25, TJ: ±0.25, TK: ±0.25, TL: ±0.25, TM: ±0.25, TN: ±0.25, TO: ±0.25, TP: ±0.25, TQ: ±0.25, TR: ±0.25, TS: ±0.25, TT: ±0.25, TU: ±0.25, TV: ±0.25, TW: ±0.25, TX: ±0.25, TY: ±0.25, TZ: ±0.25, UA: ±0.25, UB: ±0.25, UC: ±0.25, UD: ±0.25, UE: ±0.25, UF: ±0.25, UG: ±0.25, UH: ±0.25, UI: ±0.25, UJ: ±0.25, UK: ±0.25, UL: ±0.25, UM: ±0.25, UN: ±0.25, UO: ±0.25, UP: ±0.25, UQ: ±0.25, UR: ±0.25, US: ±0.25, UT: ±0.25, UY: ±0.25, UV: ±0.25, UW: ±0.25, UX: ±0.25, UZ: ±0.25, VA: ±0.25, VB: ±0.25, VC: ±0.25, VD: ±0.25, VE: ±0.25, VF: ±0.25, VG: ±0.25, VH: ±0.25, VI: ±0.25, VJ: ±0.25, VK: ±0.25, VL: ±0.25, VM: ±0.25, VN: ±0.25, VO: ±0.25, VP: ±0.25, VQ: ±0.25, VR: ±0.25, VS: ±0.25, VT: ±0.25, VU: ±0.25, VV: ±0.25, VW: ±0.25, VX: ±0.25, VY: ±0.25, VZ: ±0.25, WA: ±0.25, WB: ±0.25, WC: ±0.25, WD: ±0.25, WE: ±0.25, WF: ±0.25, WG: ±0.25, WH: ±0.25, WI: ±0.25, WJ: ±0.25, WK: ±0.25, WL: ±0.25, WM: ±0.25, WN: ±0.25, WO: ±0.25, WP: ±0.25, WQ: ±0.25, WR: ±0.25, WS: ±0.25, WT: ±0.25, WU: ±0.25, WV: ±0.25, WW: ±0.25, WX: ±0.25, WY: ±0.25, WZ: ±0.25, XA: ±0.25, XB: ±0.25, XC: ±0.25, XD: ±0.25, XE: ±0.25, XF: ±0.25, XG: ±0.25, XH: ±0.25, XI: ±0.25, XJ: ±0.25, XK: ±0.25, XL: ±0.25, XM: ±0.25, XN: ±0.25, XO: ±0.25, XP: ±0.25, XQ: ±0.25, XR: ±0.25, XS: ±0.25, XT: ±0.25, XU: ±0.25, XV: ±0.25, XW: ±0.25, XX: ±0.25, XY: ±0.25, XZ: ±0.25, YA: ±0.25, YB: ±0.25, YC: ±0.25, YD: ±0.25, YE: ±0.25, YF: ±0.25, YG: ±0.25, YH: ±0.25, YI: ±0.25, YJ: ±0.25, YK: ±0.25, YL: ±0.25, YM: ±0.25, YN: ±0.25, YO: ±0.25, YP: ±0.25, YQ: ±0.25, YR: ±0.25, YS: ±0.25, YT: ±0.25, YU: ±0.25, YV: ±0.25, YW: ±0.25, YX: ±0.25, YZ: ±0.25, ZA: ±0.25, ZB: ±0.25, ZC: ±0.25, ZD: ±0.25, ZE: ±0.25, ZF: ±0.25, ZG: ±0.25, ZH: ±0.25, ZI: ±0.25, ZJ: ±0.25, ZK: ±0.25, ZL: ±0.25, ZM: ±0.25, ZN: ±0.25, ZO: ±0.25, ZP: ±0.25, ZQ: ±0.25, ZR: ±0.25, ZS: ±0.25, ZT: ±0.25, ZU: ±0.25, ZV: ±0.25, ZW: ±0.25, ZX: ±0.25, ZY: ±0.25, ZZ: ±0.25		DRAWN: H. Meinhardt CHK: T. Killion DATE: 12FEB03 PRODUCT SPEC: 108-18102-9 APPLICATION SPEC: 114-18175-9 SIZE: A1 CAGE CODE: 00779 DRAWING NO: 1452721 RESTRICTED TO: - CUSTOMER DRAWING: 2:1 1 OF 1 REV: B
--	--	--