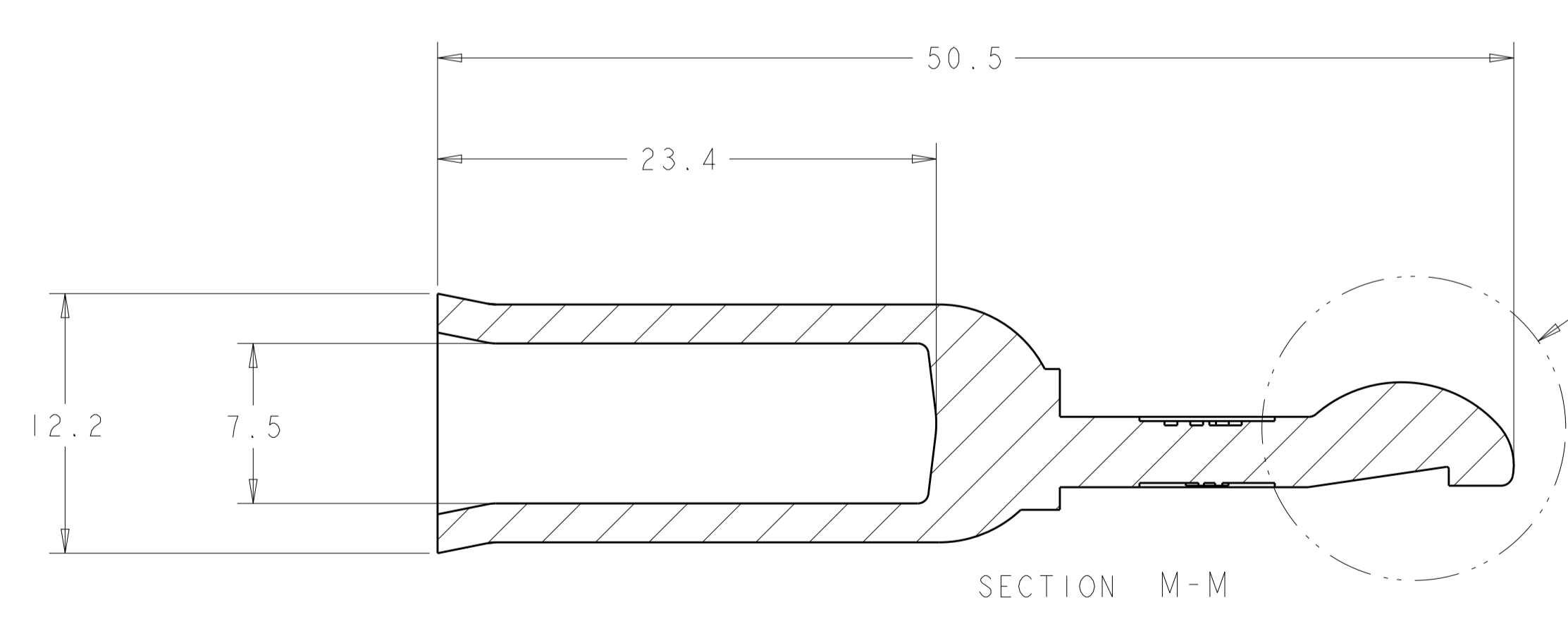
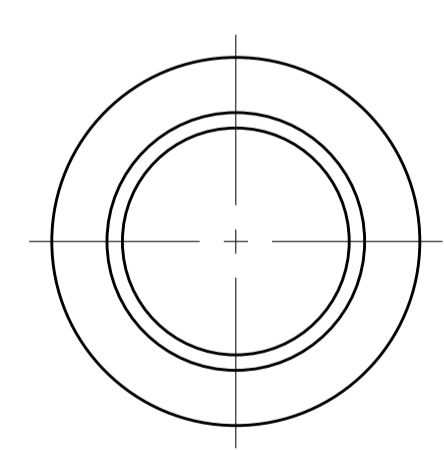
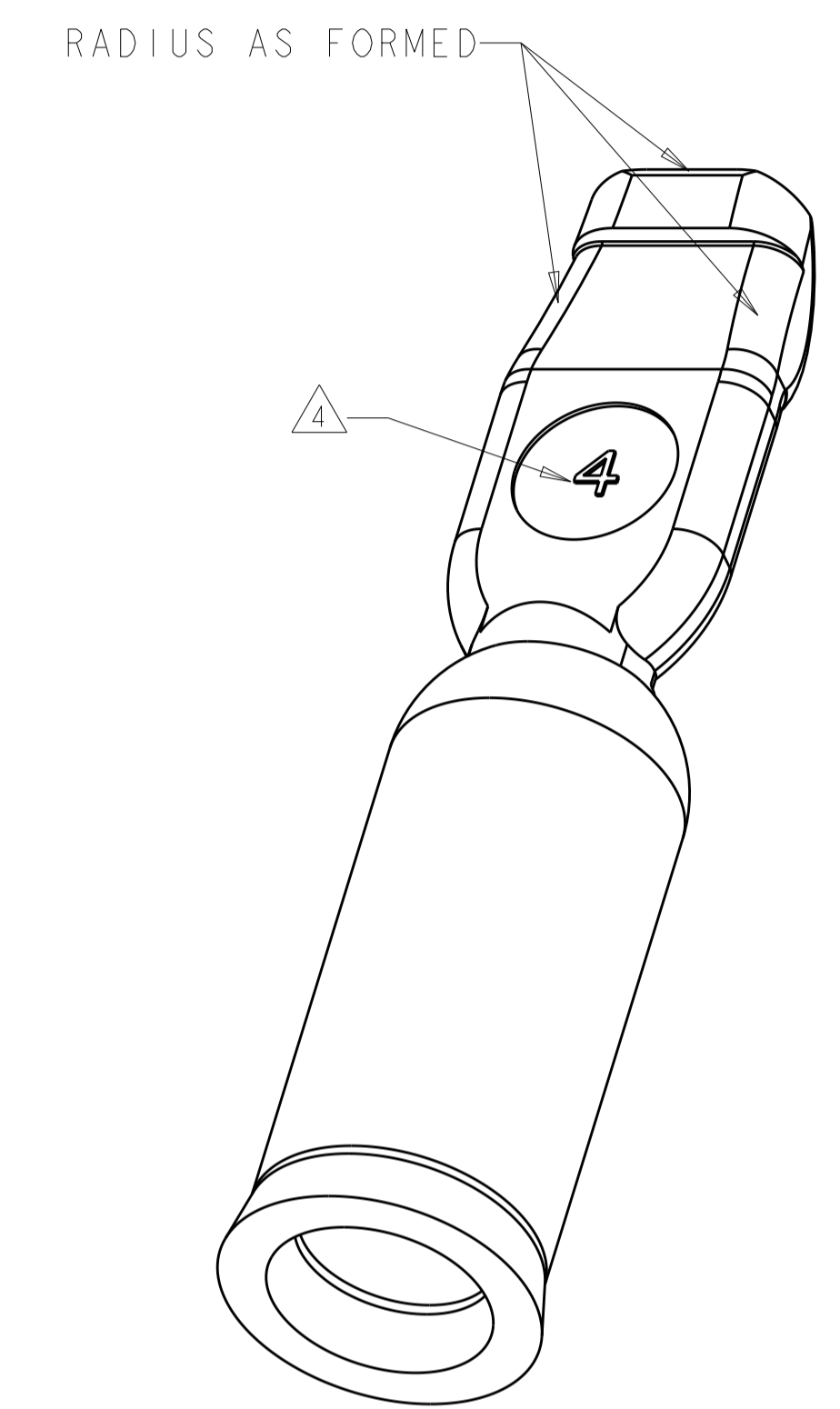
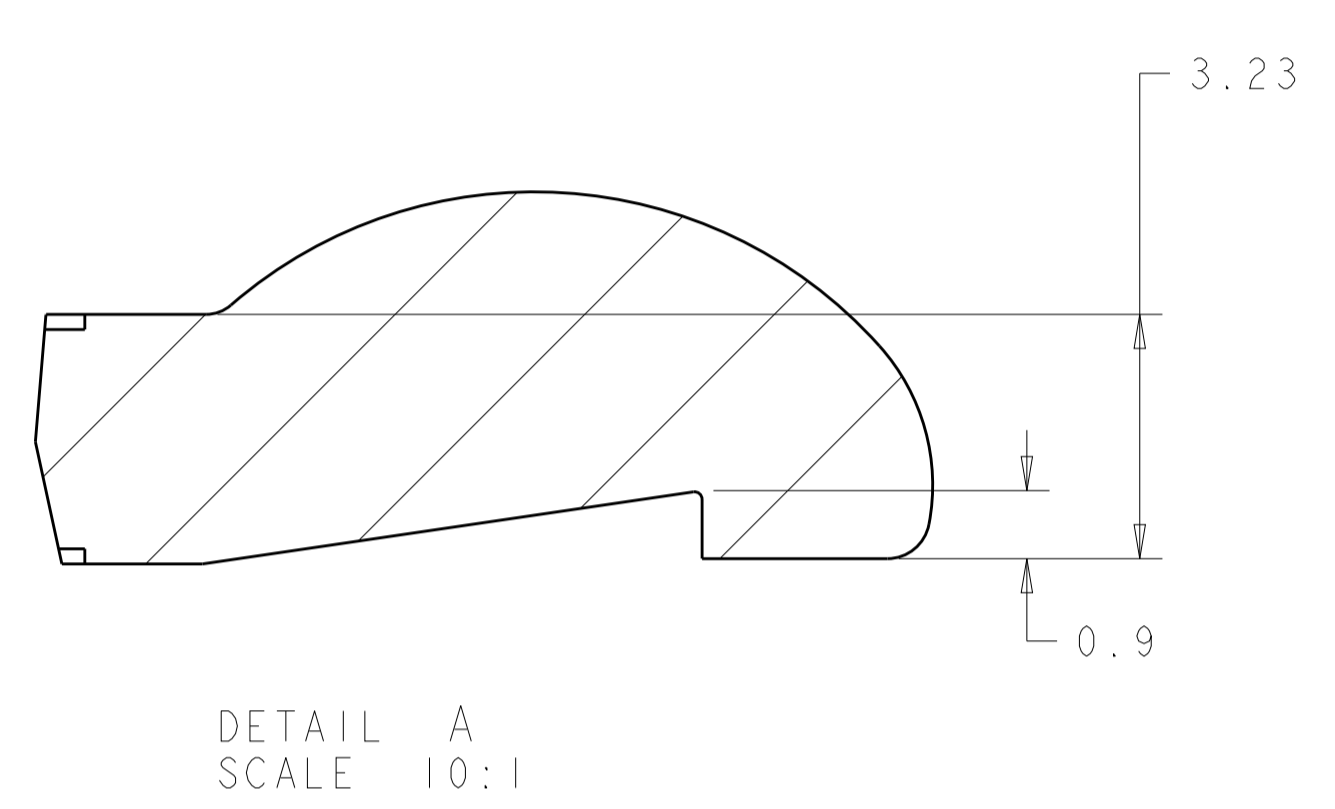
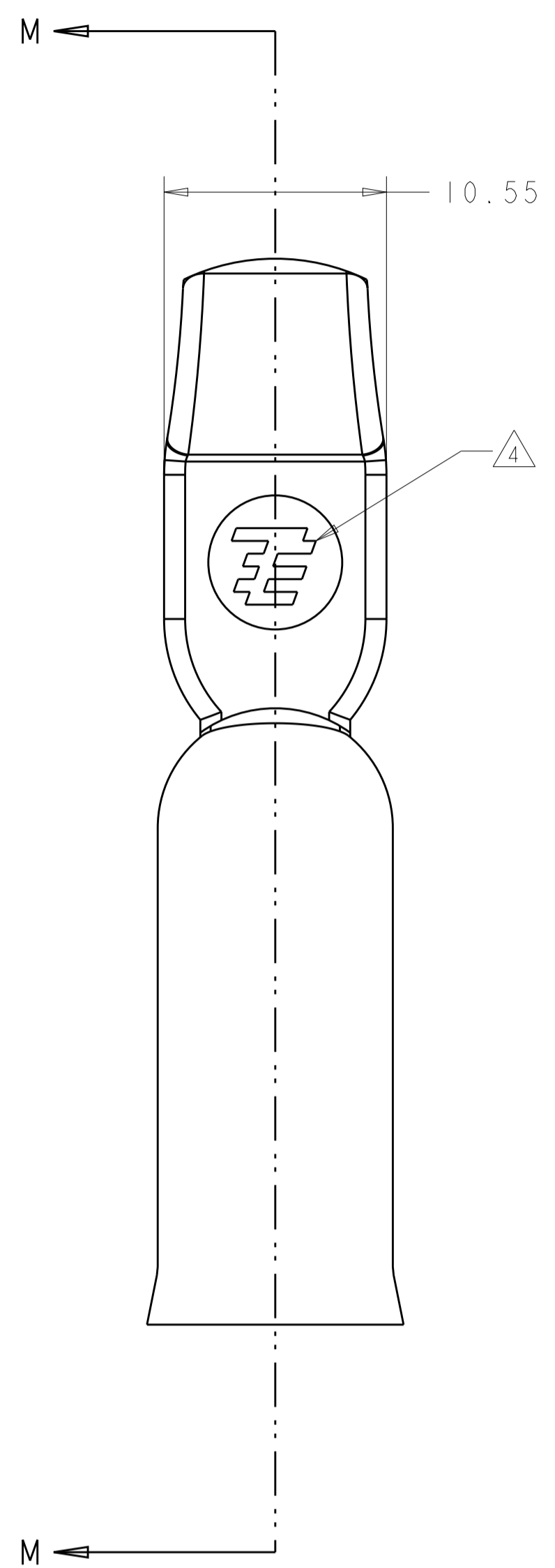
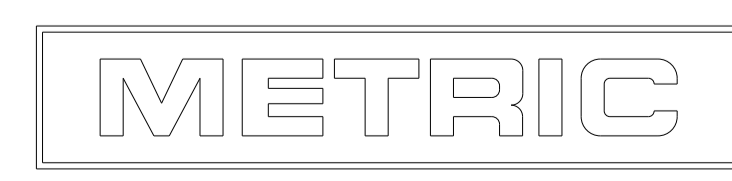


LOC	DIST	REVISIONS					
		P	LTN	DESCRIPTION	DATE	DWN	APVD
CM	00	A		REV PER ECR 10-006756	01APR10	JR	SM
		B		REV PER ECR-18-000415	18JAN2018	RS	SZ



- SEE DETAIL A
1. MATERIAL: COPPER
  2. PLATING: SILVER
  3. THIS PRODUCT HAS PASSED VERIFICATION AND AGENCY APPROVALS TESTING AND IS COMPONENT RECOGNIZED PER UL 1977 AND CSA 22.2. TYCO ELECTRONICS PRODUCT QUALIFICATION TESTING IS NOT YET COMPLETED.
- △ STAMP MARK MAY BE ROTATED

1445996-1  
PART NUMBER



<small>THIS DRAWING IS UNPUBLISHED. RELEASED FOR PUBLICATION. IT IS THE POLICY OF TYCO ELECTRONICS CORPORATION TO CONTROL THE DISTRIBUTION OF THIS DRAWING TO THE EXTENT OF THE INFORMATION SHOWN BY CONTACTS FOR THE LATEST REVISION.</small>		DWN: B. HAYMAKER 28NOV01 CHK: K. KETELSLEGER 28NOV01 APVD: K. KETELSLEGER 28NOV01	<b>tyco</b> Electronics Tyco Electronics Harrisburg, PA 17105-3608
DIMENSIONS: mm 	TOLERANCES UNLESS OTHERWISE SPECIFIED: 0 PLC ± 1 PLC ± 2 PLC ±0.13 3 PLC ± 4 PLC ± ANGLES ±5	NAME: CONTACT, AMP POWER SERIES 120, 4 AWG PRODUCT SPEC: APPLICATION SPEC: WEIGHT: CUSTOMER DRAWING	SIZE: A1 CAGE CODE: 00779 DRAWING NO: 1445996 SCALE: 4:1 SHEET: 1 OF 1 REV: B