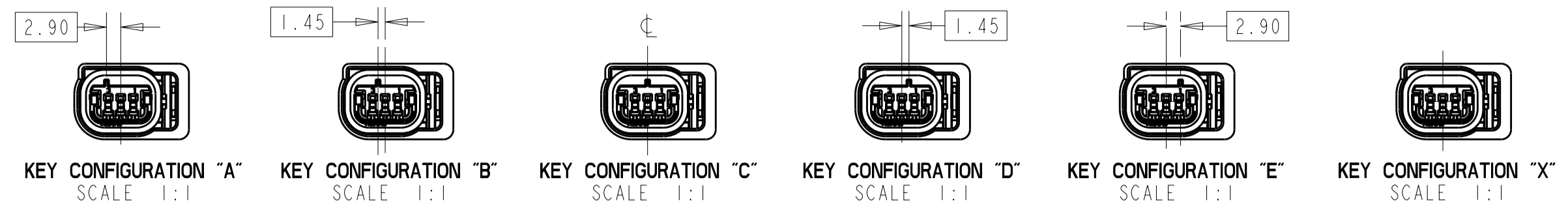
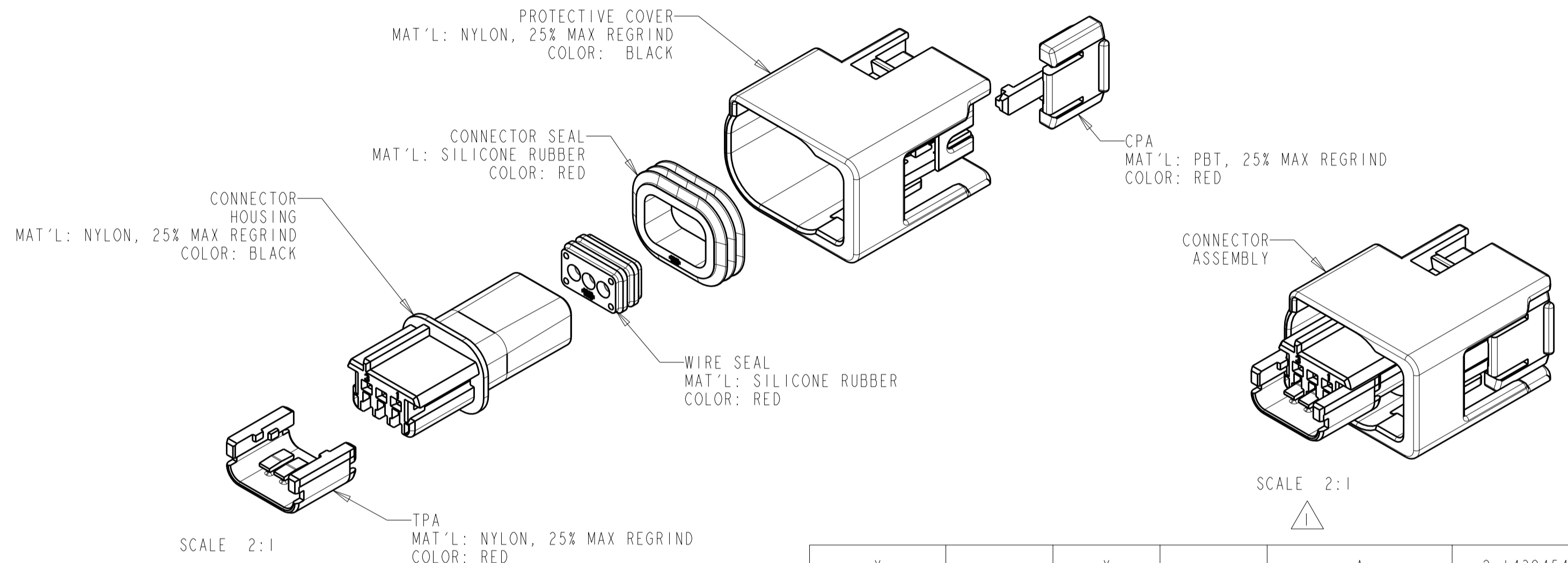
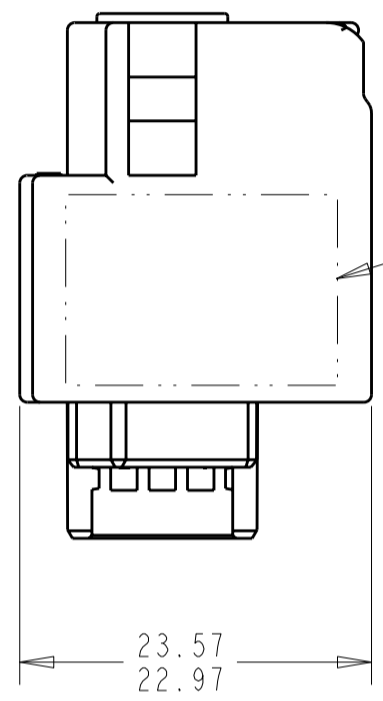


THIS DRAWING IS UNPUBLISHED. RELEASED FOR PUBLICATION
 © COPYRIGHT 20 BY TYCO ELECTRONICS CORPORATION. ALL RIGHTS RESERVED.

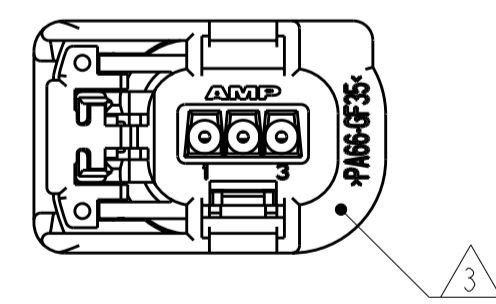
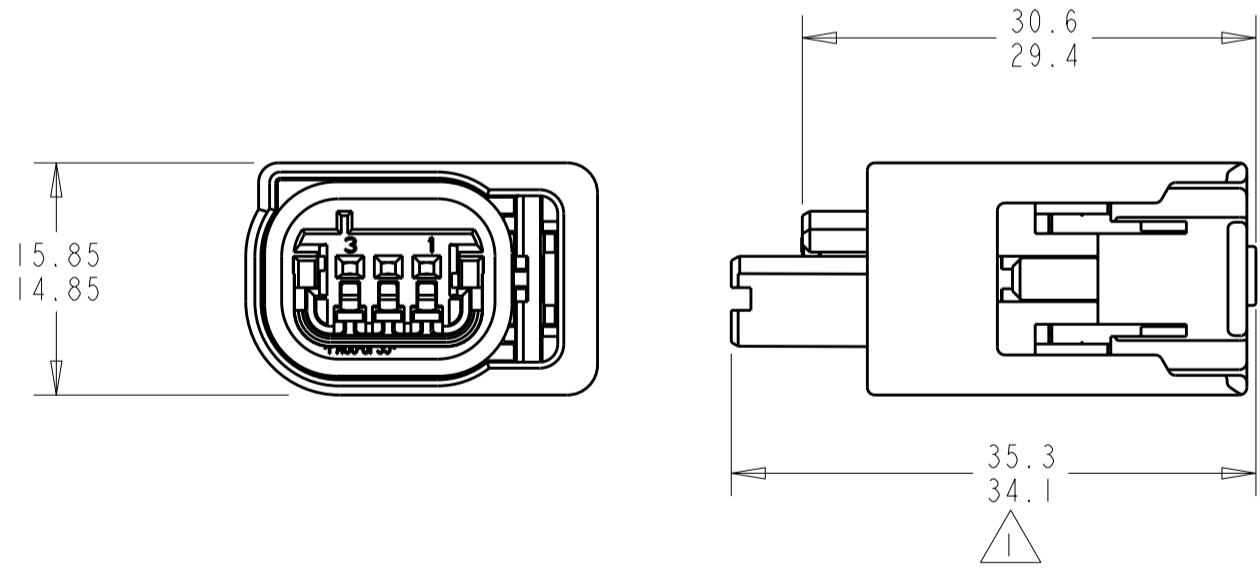
| LOC | DIST | REVISIONS | | | |
|-----|------|---------------------------|-----------|-----|------|
| P | LTR | DESCRIPTION | DATE | DWN | APVD |
| FX | 00 | | | | |
| | A3 | REVISED PER ECO-08-018575 | 30JUL2008 | DLD | CJS |



KEYING CONFIGURATION



SCALE 2:1



| Y | - | X | - | A | 2-1438454-1 |
|-------------------------------|---|----------------------|---|-------------------------------------|-------------|
| N | - | - | - | A | 1-1438454-1 |
| Y | - | - | - | X | 1438454-7 |
| Y | - | - | - | E | 1438454-6 |
| Y | - | - | - | D | 1438454-5 |
| Y | - | - | - | C | 1438454-4 |
| Y | - | - | - | B | 1438454-3 |
| Y | - | - | X | A | 1438454-2 |
| Y | - | - | - | A | 1438454-1 |
| CIRCUIT 3 CIRCUIT 2 CIRCUIT 1 | | | | KEY CONFIGURATION (DRAWING ZONE D3) | PART NUMBER |
| CPA PRESENT | | USED CIRCUIT PATTERN | | | |

- ① TPA SHOWN IN OPEN POSITION.
- ② A "X" IN THIS TABLE INDICATES THAT THE CIRCUIT IS BLOCKED AND WILL NOT ALLOW INSERTION OF TERMINAL. A "-" INDICATES THAT INSERTION OF TERMINAL CAN OCCUR.
- ③ PART NUMBER 1438454-1 SHOWN.
- ④ AMP PART NUMBER AND DATE CODE MARKED IN THIS GENERAL LOCATION.
- 5. TERMINALS SOLD SEPARATELY. SEE TYCO ELECTRONICS RECOMMENDED PART NUMBER 1326028 (GOLD PLATED) OR 638551 (TIN PLATED) FOR TERMINATION AND REELING OPTIONS.

THIS DRAWING IS A CONTROLLED DOCUMENT FOR TYCO ELECTRONICS CORPORATION. IT IS SUBJECT TO CHANGE AND THE CONTROLLING ENGINEERING ORGANIZATION SHOULD BE CONTACTED FOR THE LATEST REVISION.

DWN: R. VESTAL I1AUG03
 CHK: M. SHORE I1AUG03
 APVD: M. SHORE I1AUG03

Tyco Electronics
 Harrisburg, PA 17105-3608

NAME: CONNECTOR ASSEMBLY, FEMALE, 3 POSITION SEALED, 0.64mm

SIZE: A2 CAGE CODE: 00779 DRAWING NO: 1438454 RESTRICTED TO: -

MATERIAL: - DIMENSIONS: mm TOLERANCES UNLESS OTHERWISE SPECIFIED: 0 PLC ±- 1 PLC ±0.5 2 PLC ±0.10 3 PLC ±- 4 PLC ±- ANGLES ±3° FINISH: -

APPLICATION SPEC: SAE/USCAR-2 8/97 WEIGHT: -

CUSTOMER DRAWING SCALE: 4:1 SHEET: 1 OF 1 REV: A3