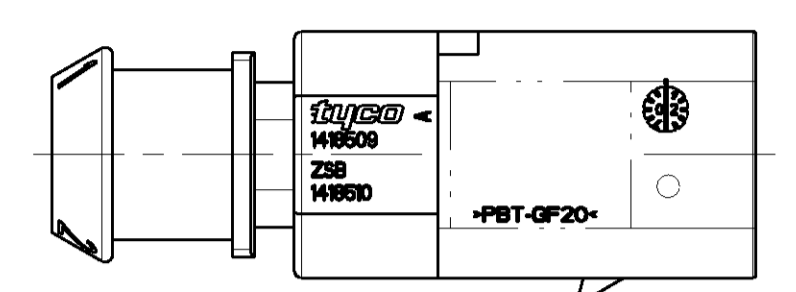
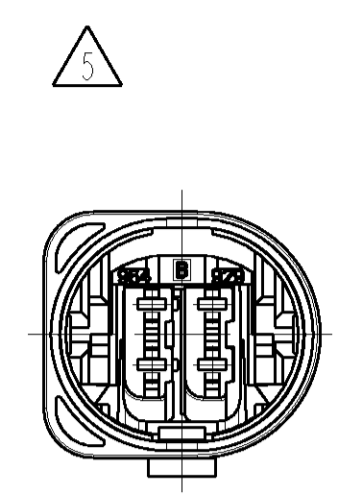
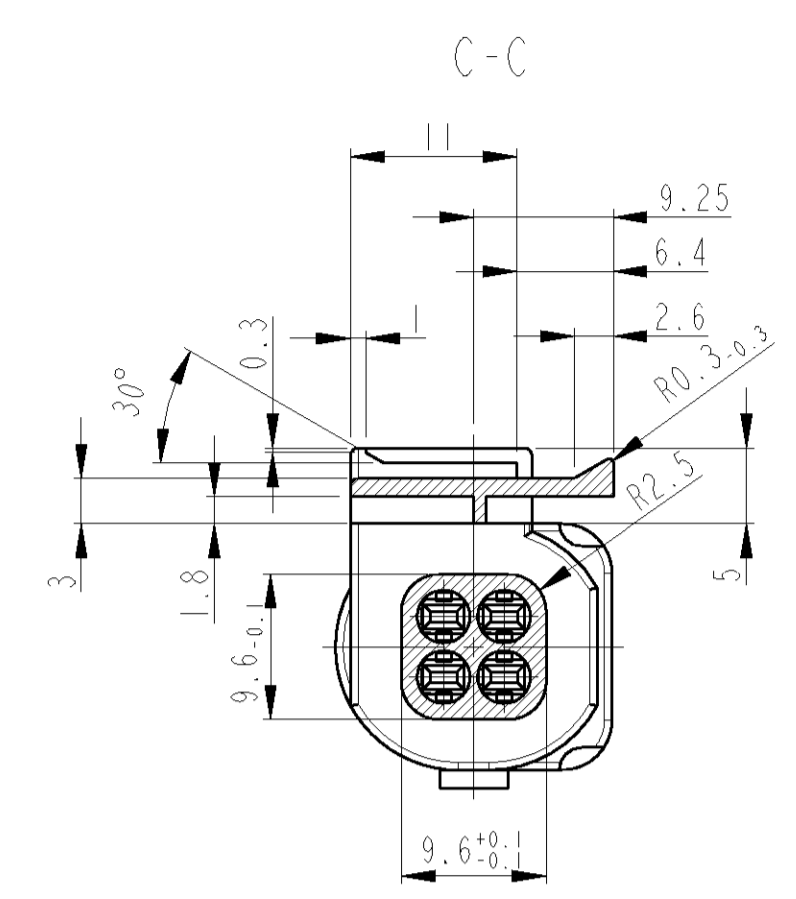
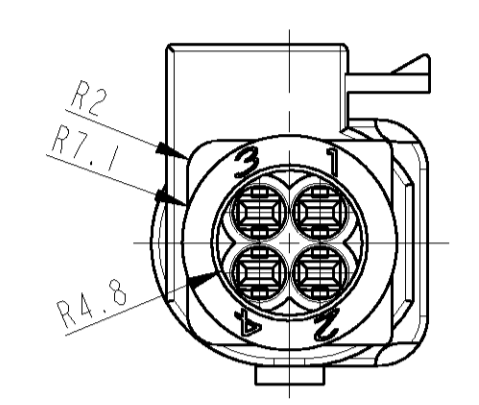
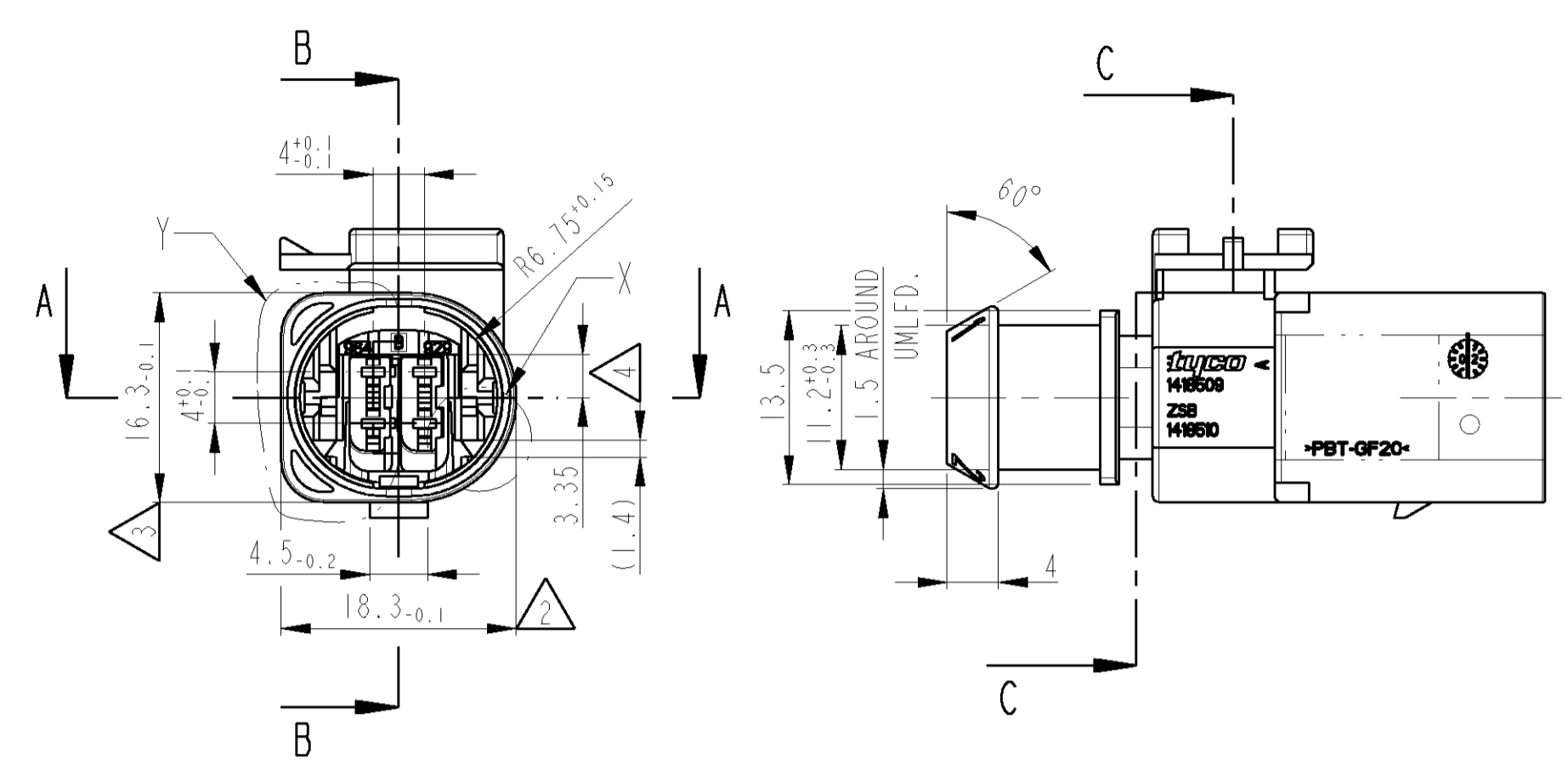


| LOC          | DIST     | P  | LTR | REVISIONS      | DATE      | DWN  | APVD  |
|--------------|----------|----|-----|----------------|-----------|------|-------|
|              |          |    |     | AENDERUNGEN    |           |      |       |
|              |          |    |     | BESCHREIBUNG   |           |      |       |
| PROJECT NO.: | 646269/2 | A  |     | NEW DRAWING    | 08JUL2002 | Zayc | Thiel |
|              |          | A1 |     | SPECIFICATIONS | 18JUL2002 | Zayc | Thiel |

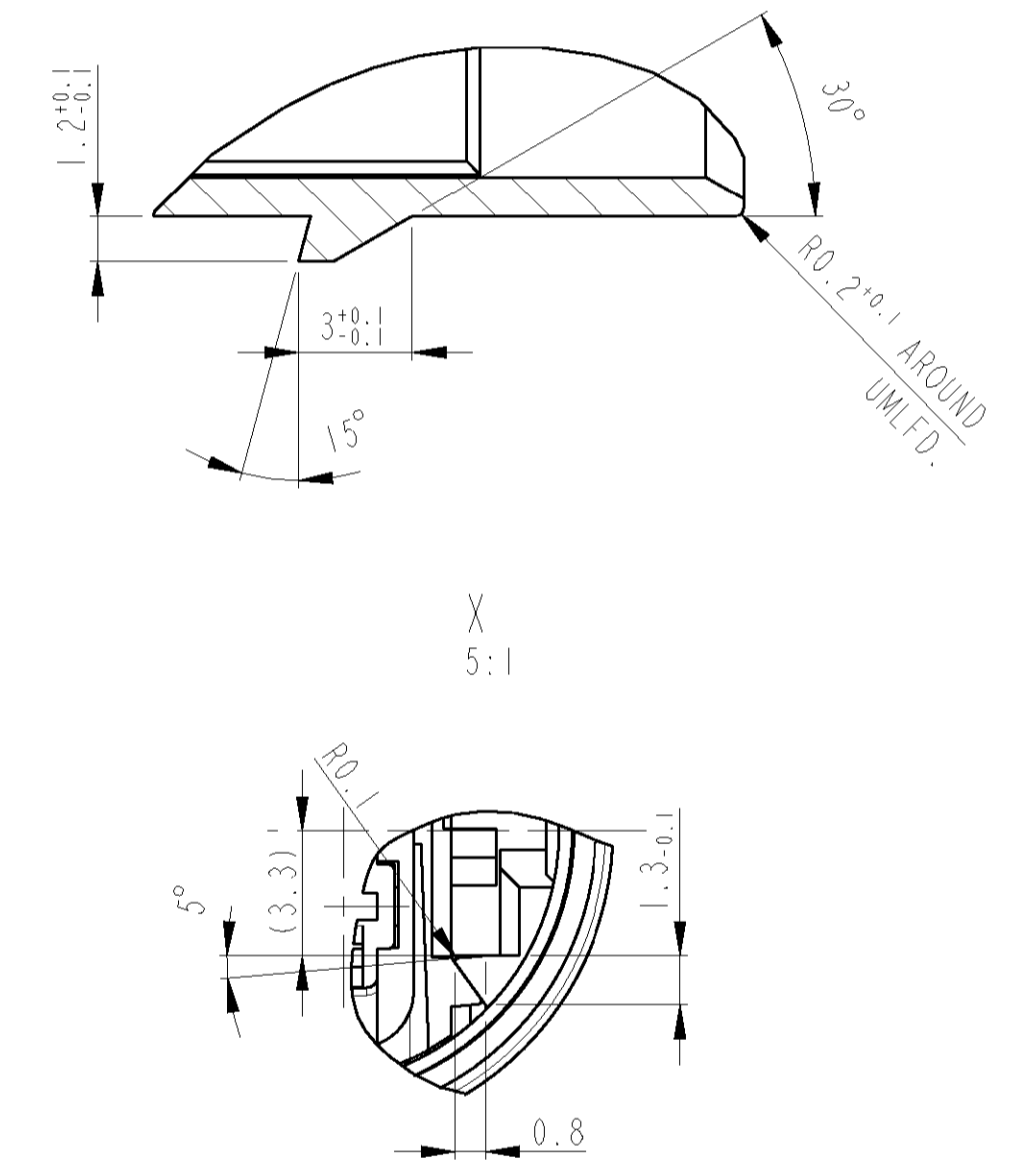
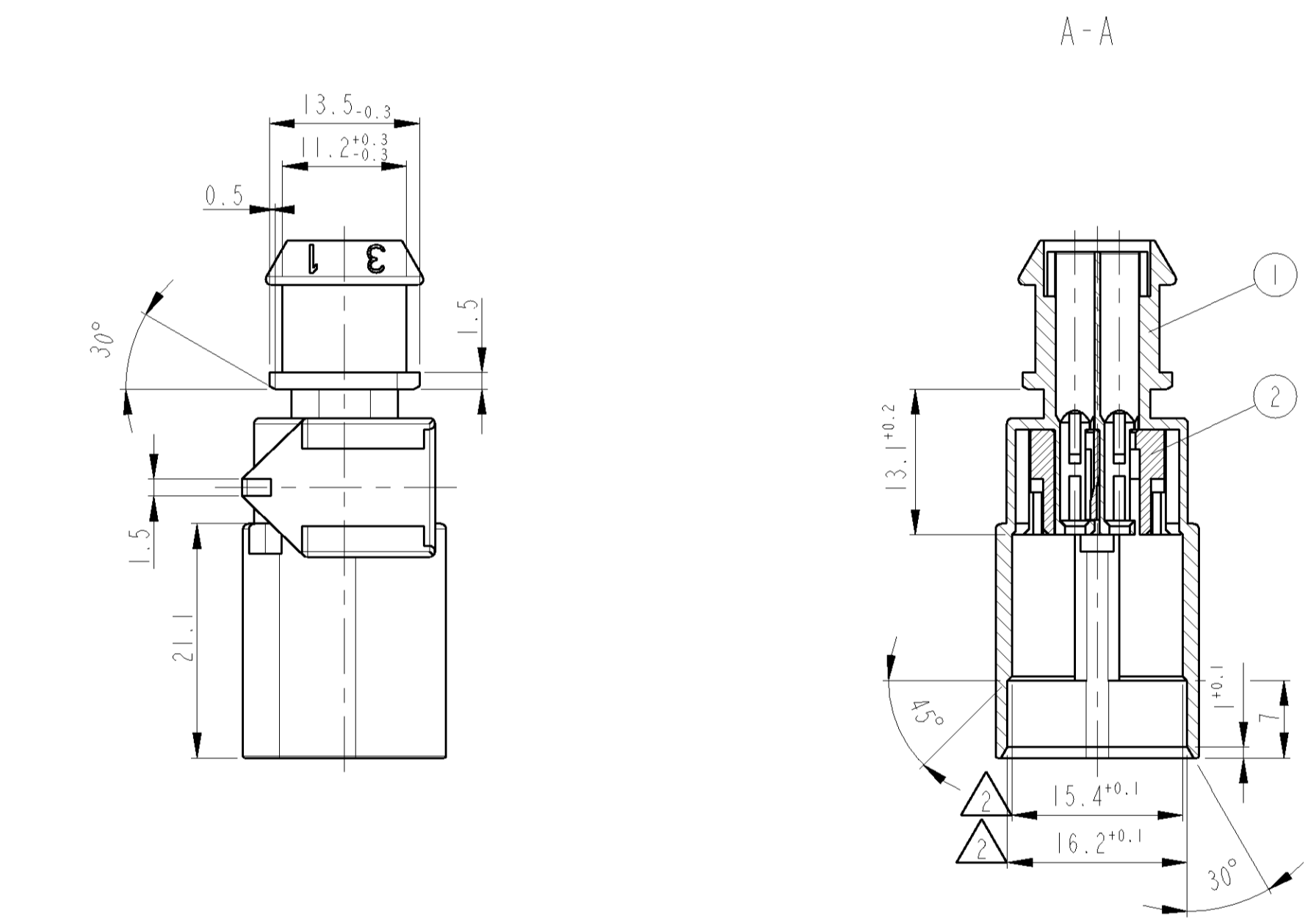


NOTES

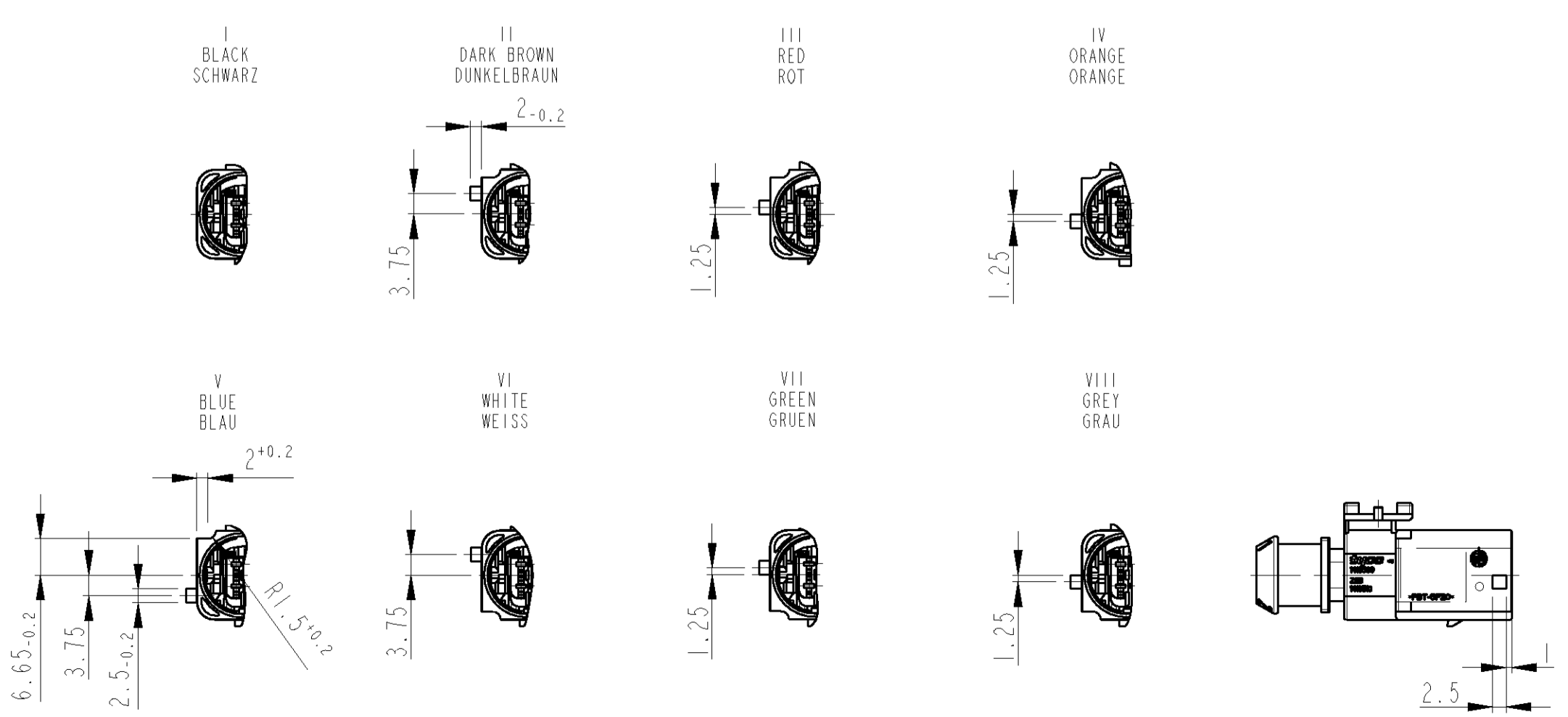
- 1 THE PART NO. 1418510 ASSEMBLED FOR EXAMPLE WITH CONTACT 964269-2 AND SEALING 964972-1 WILL HAVE A SUITABLE MATING PART ACC. TO 114-18130
- 2 ALLOWED WARPAGE +0.2/-0.3
- 3 ALLOWED WARPAGE -0.5
- 4 SHOWN AS SUPPLIED: RETAINER IN PRELOCKED POSITION; SHIFT AFTER CONTACT LOADING (1.4MM)
- 5 HOUSING WITHOUT SNAP-IN ATTACHMENT

BEMERKUNGEN

- 1 DAS TEIL 1418510 WIRD MIT DEM KONTAKT 964269-2 UND EINZELADERDICHTUNG 964972-1 BESTUECKT AUF DIE ENTSPRECHENDE SCHNITTSTELLE NACH 114-18130 GESTECKT
- 2 ZULAESSIGER VERZUG +0.2/-0.3
- 3 ZULAESSIGER VERZUG -0.5
- 4 LIEFERZUSTAND GEZEICHNET: VERRIEGELUNG IN VORRASTELLUNG; NACH KONTAKTBESTUECKUNG VERSCHIEBEN (1.4MM)
- 5 GEHAEUSE OHNE EINSCHUB



CODINGS  
KODIERUNGEN  
Y  
1:1



| ITEM NO. | QTY | DESCRIPTION      | COLOR  | MATERIAL | REV | AMP-NO      | COD  |
|----------|-----|------------------|--------|----------|-----|-------------|------|
| VIII     | 2   | RETAINER, ...    | VIOLET | PBT-GF30 | A   | 2-1418510-8 | VIII |
| VII      | 2   | TAB HOUSING, ... | GREY   | PBT-GF20 | A   | 2-1418510-7 | VII  |
| VI       | 2   | TAB HOUSING, ... | VIOLET | PBT-GF30 | A   | 2-1418510-6 | VI   |
| V        | 2   | TAB HOUSING, ... | GREEN  | PBT-GF20 | A   | 2-1418510-5 | V    |
| IV       | 2   | TAB HOUSING, ... | WHITE  | PBT-GF30 | A   | 2-1418510-4 | IV   |
| III      | 2   | TAB HOUSING, ... | VIOLET | PBT-GF20 | A   | 2-1418510-3 | III  |
| II       | 2   | TAB HOUSING, ... | RED    | PBT-GF30 | A   | 2-1418510-2 | II   |
| I        | 2   | TAB HOUSING, ... | VIOLET | PBT-GF20 | A   | 2-1418510-1 | I    |

| DATE      | BY   | CHKD  | APVD      | NAME     | SCALE | SHEET | OF | REV |
|-----------|------|-------|-----------|----------|-------|-------|----|-----|
| 08JUL2002 | Zayc | Thiel | S. Glaser | F. Thiel | 1:1   | 1     | 1  | A1  |

**tyco** Electronics AMP GmbH  
 D - 64625 Bensheim  
**Esconics**  
 TAB HOUSING ASSEMBLY,  
 2x2 POSITION, RADIAL SEAL, 1.6MM  
 FLACHSTECCKERGEHAUSE KOMPLETT,  
 2x2POLIG, RADIALDICHT, 1.6MM  
 MATERIAL: S.TAB  
 WEIGHT: 6.4g  
 CUSTOMER DRAWING /KUNDENZEICHNUNG  
 DRAWING NO. 00779  
 SCALE: 1:1  
 SHEET: 1 OF 1  
 REV: A1