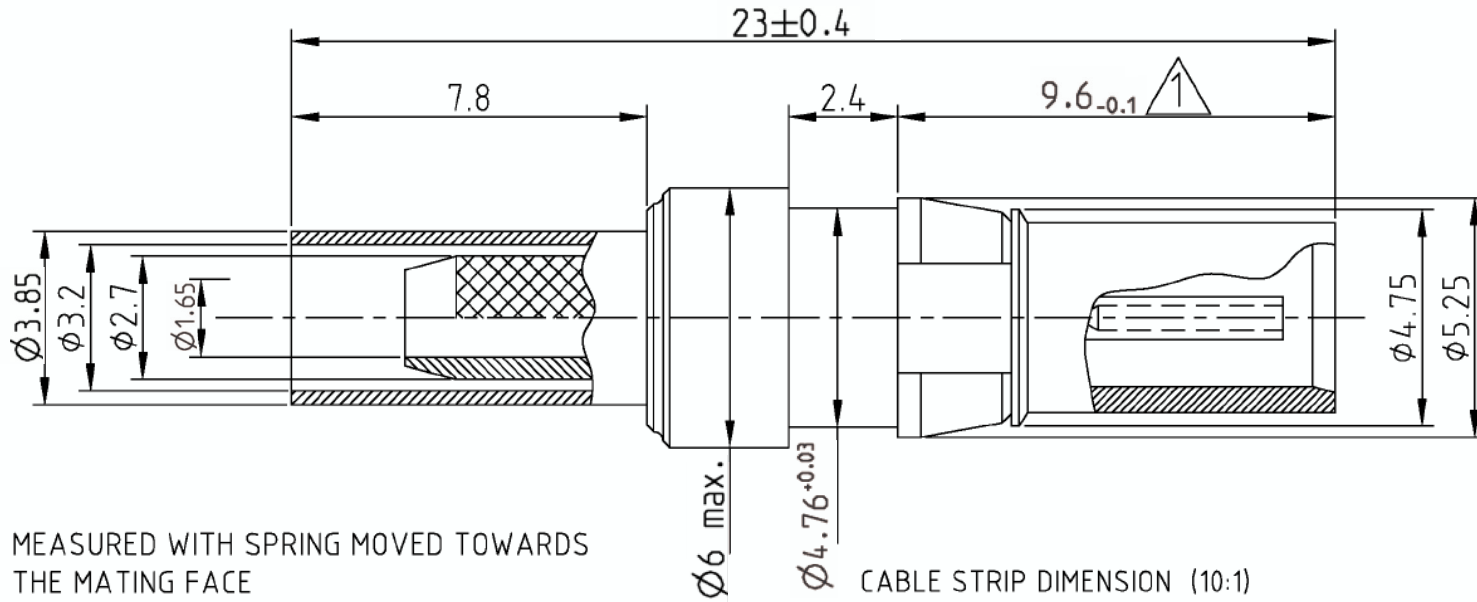


LOC	DIST	REVISIONS				
P	LTR	DESCRIPTION	DATE	DWN	APVD	
IS	-	A1	Update drawing	11MAR2009	MS	DB

1392020-1 AS SHOWN



MEASURED WITH SPRING MOVED TOWARDS THE MATING FACE

- STANDARD: ACCORDING TO DIN 41626, PART 2
- SPRING CONTACT: BERYLLIUM - COPPER
- CONTACT PLATING: GOLD
- DIELECTRIC: PTFE
- FULL CRIMP CENTER CONTACT: SQ 0.7
- OUTER CONDUCTOR: HEX 3.2

General tolerances ISO 2768-mH.

<small>THIS DRAWING IS A CONTROLLED DOCUMENT FOR TYCO ELECTRONICS CORPORATION IT IS SUBJECT TO CHANGE AND THE CONTROLLING ENGINEERING ORGANIZATION SHOULD BE CONTACTED FOR THE LATEST REVISION.</small>		DWN K.Donnet	27SEP00	Tyco Electronics Lugano - Switzerland	
DIMENSIONS: mm		CHK K.Mattheeuws	27SEP00	NAME COAX INSERT CABLE JACK FOR CABLE RG 316 / RG 174 / RG 188 DIN 1.0 / 2.3	
		APVD -	-	PRODUCT SPEC -	
TOLERANCES UNLESS OTHERWISE SPECIFIED: 0 PLC ±: 1 PLC ±: 2 PLC ±: 3 PLC ±: 4 PLC ±: ANGLES ±°		APPLICATION SPEC 114-90006		SIZE A3	RESTRICTED TO -
MATERIAL -		FINISH -		CAGE CODE 00779	DRAWING NO C=1392020
CUSTOMER DRAWING				SCALE 10:1	SHEET 1 OF 1
				REV A1	