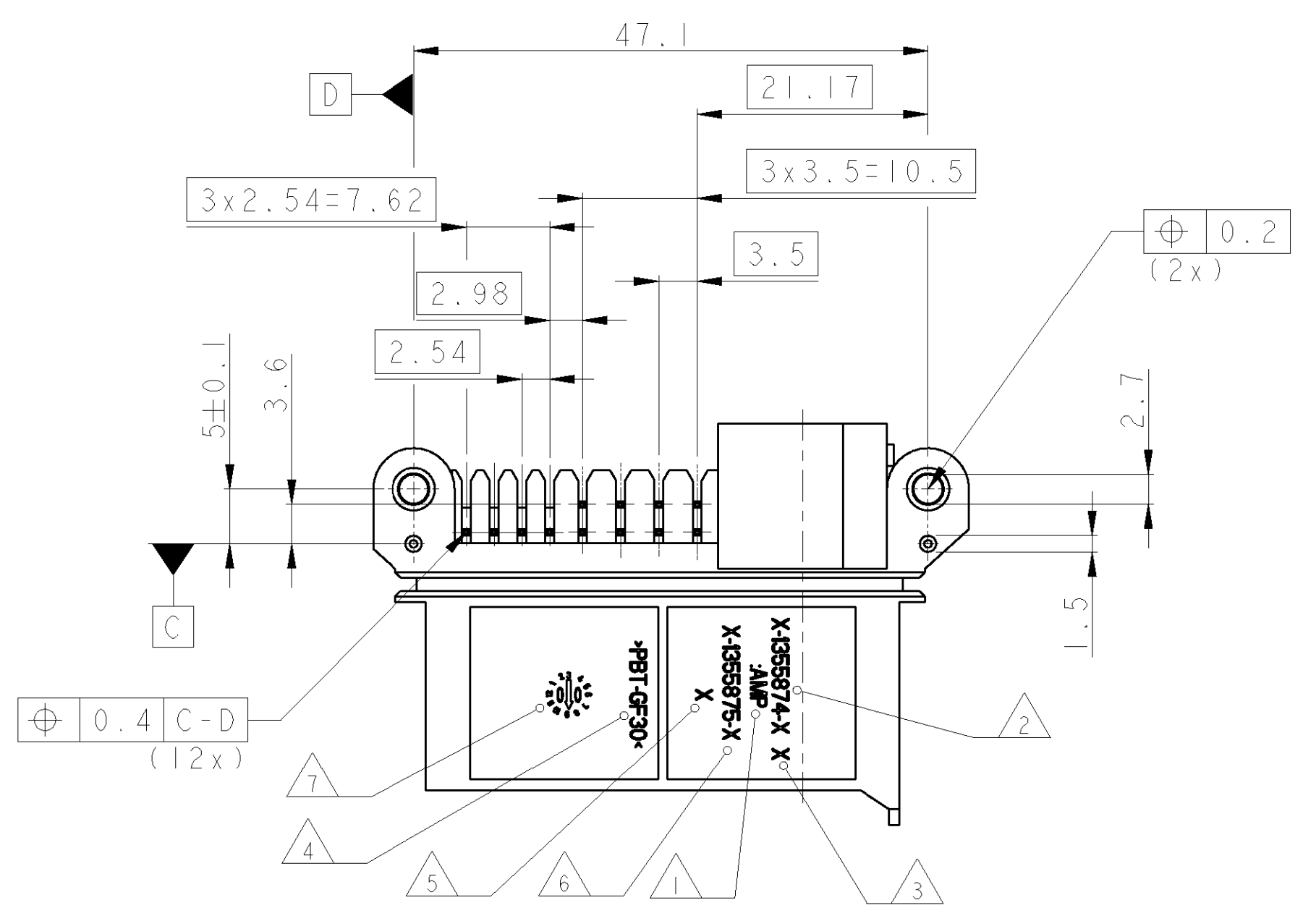
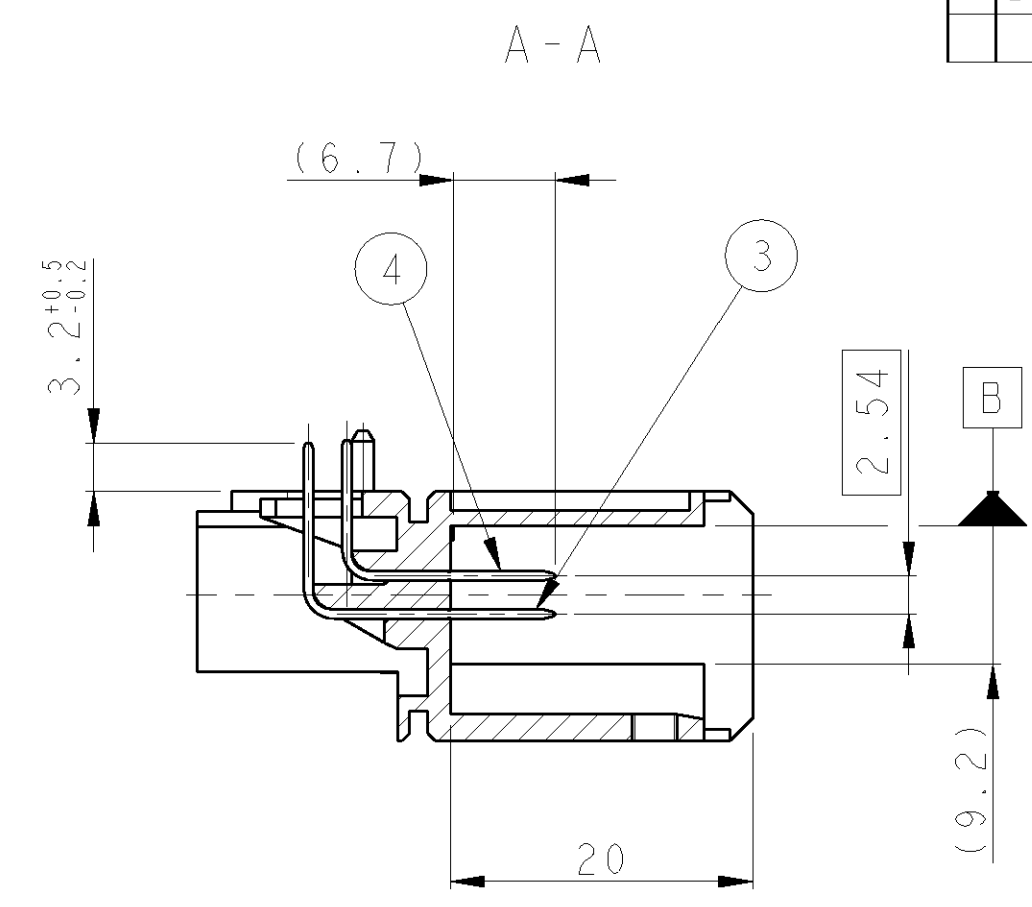
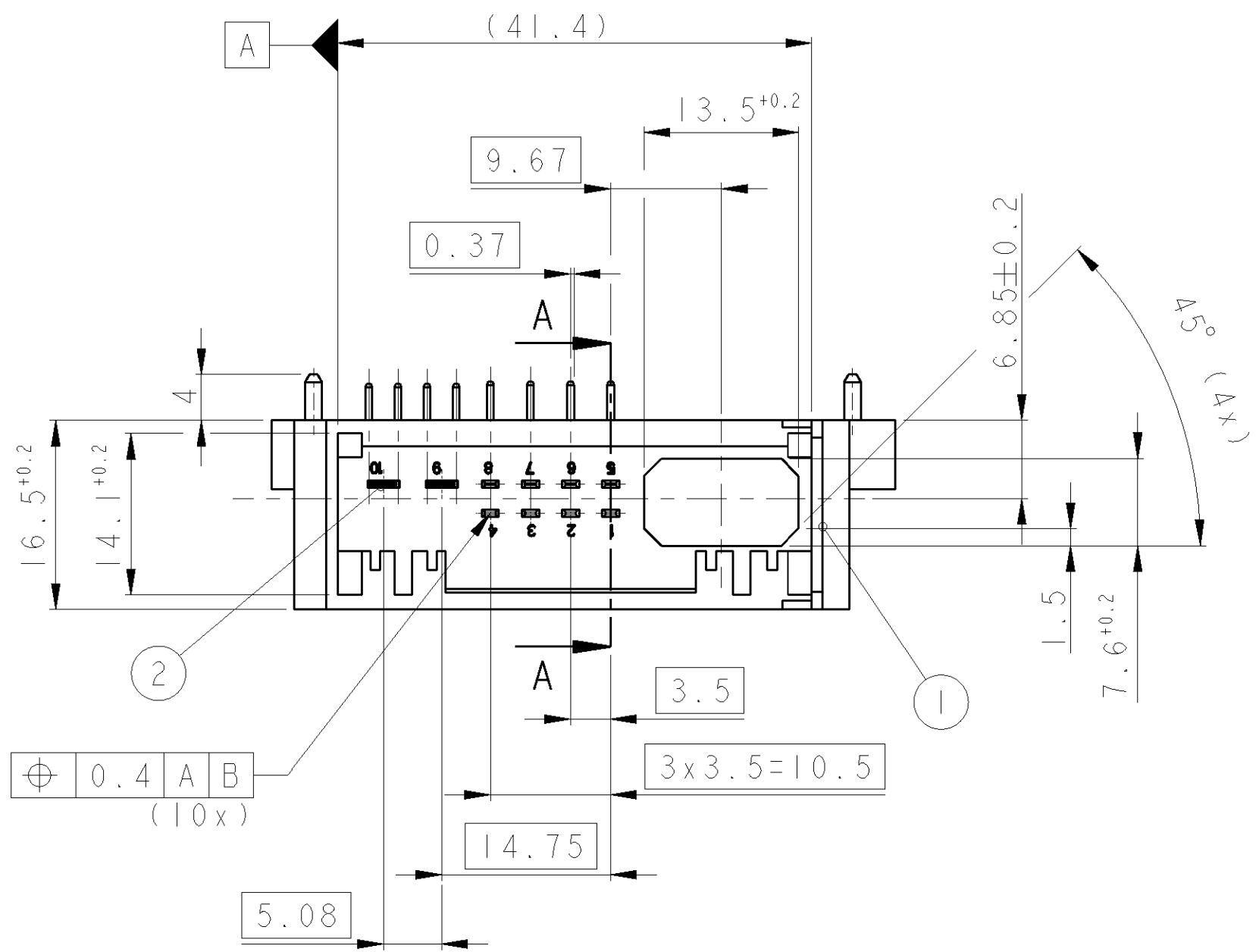


THIS DRAWING IS UNPUBLISHED. RELEASED FOR PUBLICATION 2000
 © COPYRIGHT 2000 BY TYCO ELECTRONICS CORPORATION. ALL RIGHTS RESERVED.

LOC	DIST	REVISIONS					
		P	LTR	DESCRIPTION	DATE	DWN	APVD
A1	-	D		SEE PCN EG00-0967-02	19MAR2002	H.M.	T.K.
		E		SEE PCN EG00-0955-03	26MAR2003	H.M.	T.K.
		E1		SEE E-07-022923	25SEP2007	CA	TK



MATED WITH:
 COVER 1-1355871-1
 Kappe
 RECEPTACLE HOUSING 1-1355873-1
 Buchsengehaeuse

- Bemerkungen
 NOTES
- 1 AMP-LOGO
AMP-Logo
 - 2 ORDER-NUMBER
Bestell-Nummer
 - 3 REVISIONS-NUMBER
Werkzeugaenderungsindex
 - 4 MATERIAL MARKING
Werkstoffkennzeichnung
 - 5 CAVITY MARKING
Nestmarkierung
 - 6 SINGLE PART NO
Einzelteil-Nummer
 - 7 PRODUCTION-DATE
Produktions-Datum
 - 8 LAYER PACKAGING
Lagenverpackung
 - 9 TOLERANCES UNLESS OTHERWISE SPECIFIED ±0.3
Toleranzen wenn nicht anders spezifiziert ±0.3

0.4 C-D (12x)

CUSTOMER PART NO	AMP PART NO	REV.	PCS.	MATERIAL	SURFACE COLOUR	DESCRIPTION	ITEM NO
	1-1355874-1	E	4	CuSn6	TINNED	TAB 1.5x0.6	4
			4	CuSn6	TINNED	TAB 1.5x0.6	3
			2	CuSn6	TINNED	TAB 2.8x0.6	2
			1	PBT-GF30	BLACK	HEADER, 2xMPQ / 8xMQS	1

DIMENSIONS: mm		TOLERANCES UNLESS OTHERWISE SPECIFIED:	
0 PLC	±	1 PLC	±
1 PLC	±	2 PLC	±
2 PLC	±	3 PLC	±
3 PLC	±	4 PLC	±
4 PLC	±	ANGLES	±°
MATERIAL	-	FINISH	-

DWN	H. Breitenbach	11APR2000
CHK	T. Kilian	12APR2000
APVD	-	-
PRODUCT SPEC	108-18214	
APPLICATION SPEC	114-18351	
WEIGHT	-	-
CUSTOMER DRAWING	SCALE 2:1	SHEET 1 OF 1

AMP AMP Deutschland GmbH
 D - 63225 Langen

NAME
 TAB HEADER FOR 2x MPQ / 8x MQS + 2POS. F.O.
 Stiftwanne fuer 2xMPQ / 8xMQS + 2pol. LWL