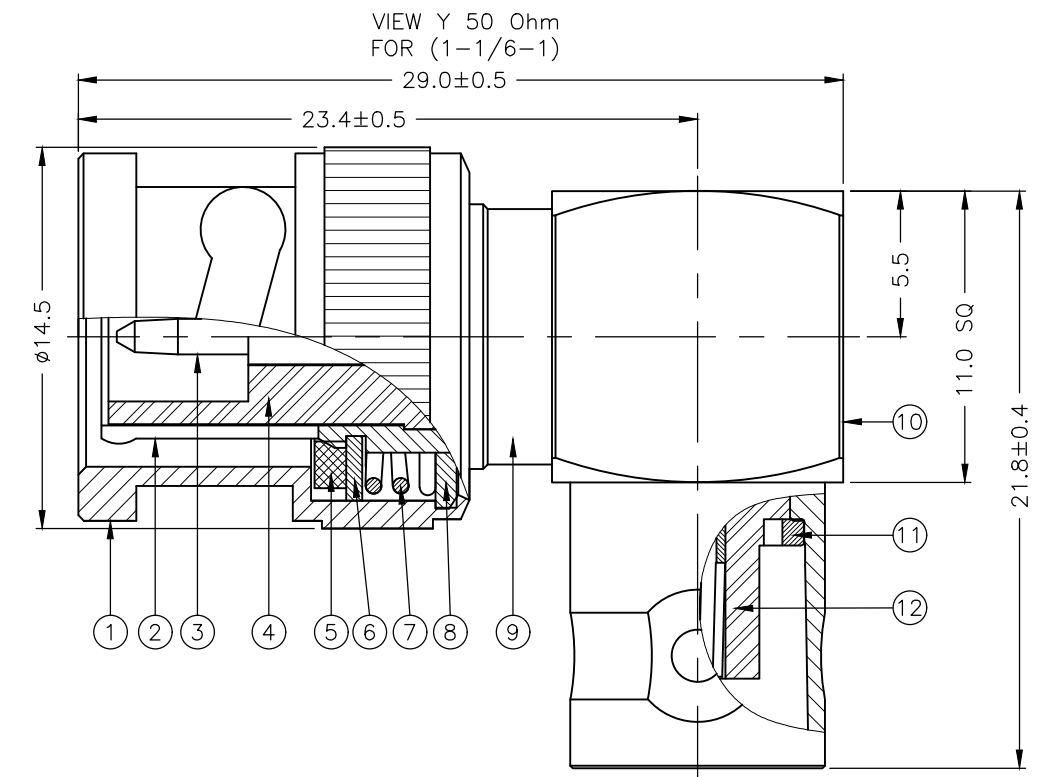
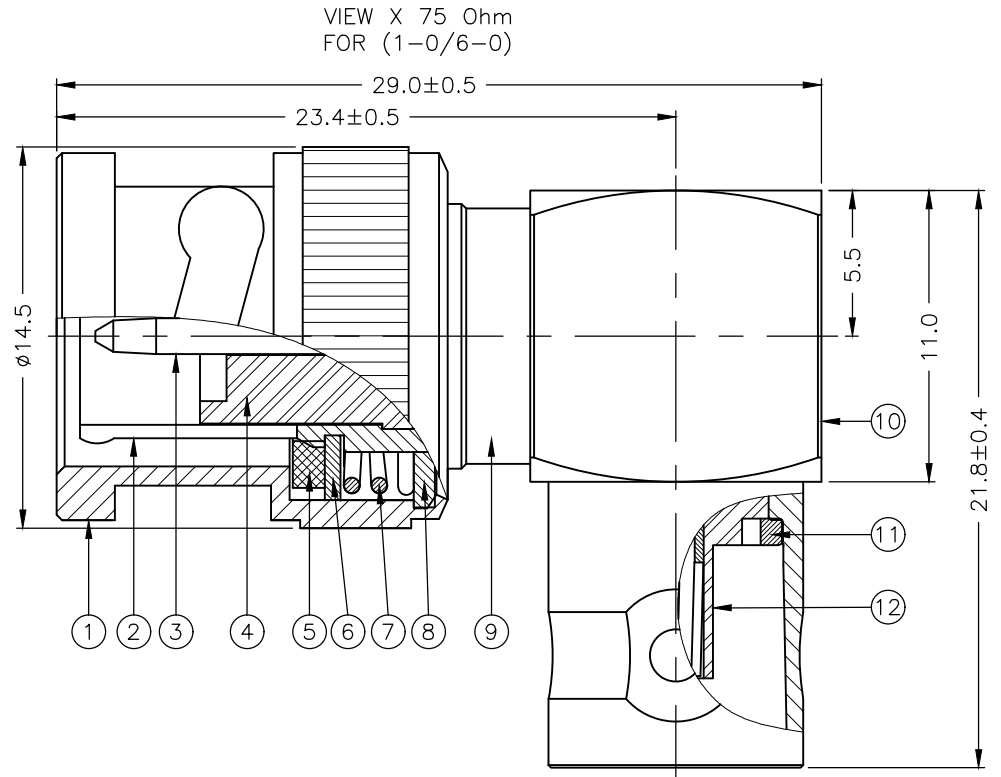


THIS DRAWING IS UNPUBLISHED. RELEASED FOR PUBLICATION JAN , 2006.
 © COPYRIGHT 2006 By - ALL RIGHTS RESERVED.

P	LTR	DESCRIPTION	DATE	DWN	APVD
E1	ECR-19-012262		05AUG2019	RZ	RS

- NOTES:
- 1 SINGLE PACKING: ONE CONNECTOR PER LABELED BAG PACKAGED. LABELED PER TEC-107-115
 - 2 TRAY PACKAGED
 - 3 Au PLATING
 - 4 Ni PLATING
 - 5 THIS ITEM MUST BE WHITE

- 6 ELECTRICAL CHARACTERISTICS
 FREQUENCY RANGE: DC - 1 GHz(@75 Ohm)
 DC - 4 GHz(@50 Ohm)
 NOMINAL IMPEDANCE: 75 Ohm / 50ohm
 INSULATION RESISTANCE: 5000 MOhm
 WORKING VOLTAGE: 500 Volts RMS at Sea Level
 DIELECTRIC WITHSTAND VOLTAGE: 1500 Volts RMS Max
 CONTACT RESISTANCE:
 CENTER CONTACT: 1.50 mOhm Max
 OUTER CONTACT: 1.00 mOhm Max
 VSWR
 1.3 Max (75ohm@1GHz)
 1.25 Max (50ohm@4GHz)
 INSERTION LOSS xdb:
 0.3dB Max (75ohm@1GHz)
 0.4dB Max (50ohm@4GHz)
- 7 MECHANICAL CHARACTERISTICS
 COUPLING RETENTION FORCE: 40lbs Min
 DURABILITY: 500 Cycles Min
- 8 ENVIRONMENTAL CHARACTERISTICS
 OPERATING TEMPERATURE: -65 to +165 DegC



QTY	QTY	QTY	QTY	MATERIAL	DESCRIPTION	ITEM
1	-	1	-	PTFE	INSULATION	12
-	1	-	1	PTFE	INSULATION	12
1	1	1	1	BRASS	4 RING	11
1	1	1	1	BRASS	4 BODY 3	10
1	1	1	1	BRASS	4 BODY 2	9
1	1	1	1	SK5	4 WASHER	8
1	1	1	1	SPRING STEEL	4 SPRING	7
1	1	1	1	SK5	4 RETAINING RING	6
1	1	1	1	SILICONE RUBBER	5 GASKET	5
1	-	1	-	PTFE	INSULATION	4
-	1	-	1	PTFE	INSULATION	4
1	-	1	-	PHOSPHOR BRONZE	3 CONTACT	3
-	1	-	1	PHOSPHOR BRONZE	3 CONTACT	3
1	1	1	1	BRASS	4 BODY 1	2
1	1	1	1	BRASS	4 SHELL	1
6--1	6--0	1--1	1--0	MATERIAL	DESCRIPTION	ITEM
2	2	1	1			
QUANTITY PER ASSY				PARTS LIST		

THIS DRAWING IS A CONTROLLED DOCUMENT.		DWN	J.SANDWELL	25JAN06	TE Connectivity				
		CHK	S.PARLOW	25JAN06					
		APVD	F.WHEELER-KING	25JAN06	NAME				
		PRODUCT SPEC			BNC ELBOW ADAPTOR P-J				
		APPLICATION SPEC			-				
		MATERIAL			SIZE	CAGE CODE	DRAWING NO	RESTRICTED TO	
		FINISH			WEIGHT	A3	00779	C-1337526	-
DIMENSIONS: mm		TOLERANCES UNLESS OTHERWISE SPECIFIED:			CUSTOMER DRAWING				
		0 PLC ± - 1 PLC ± 0.5 2 PLC ± - 3 PLC ± - 4 PLC ± - ANGLES ± -			SCALE NTS SHEET 1 OF 1 REV E1				
MATERIAL SEE TABLE		FINISH -							