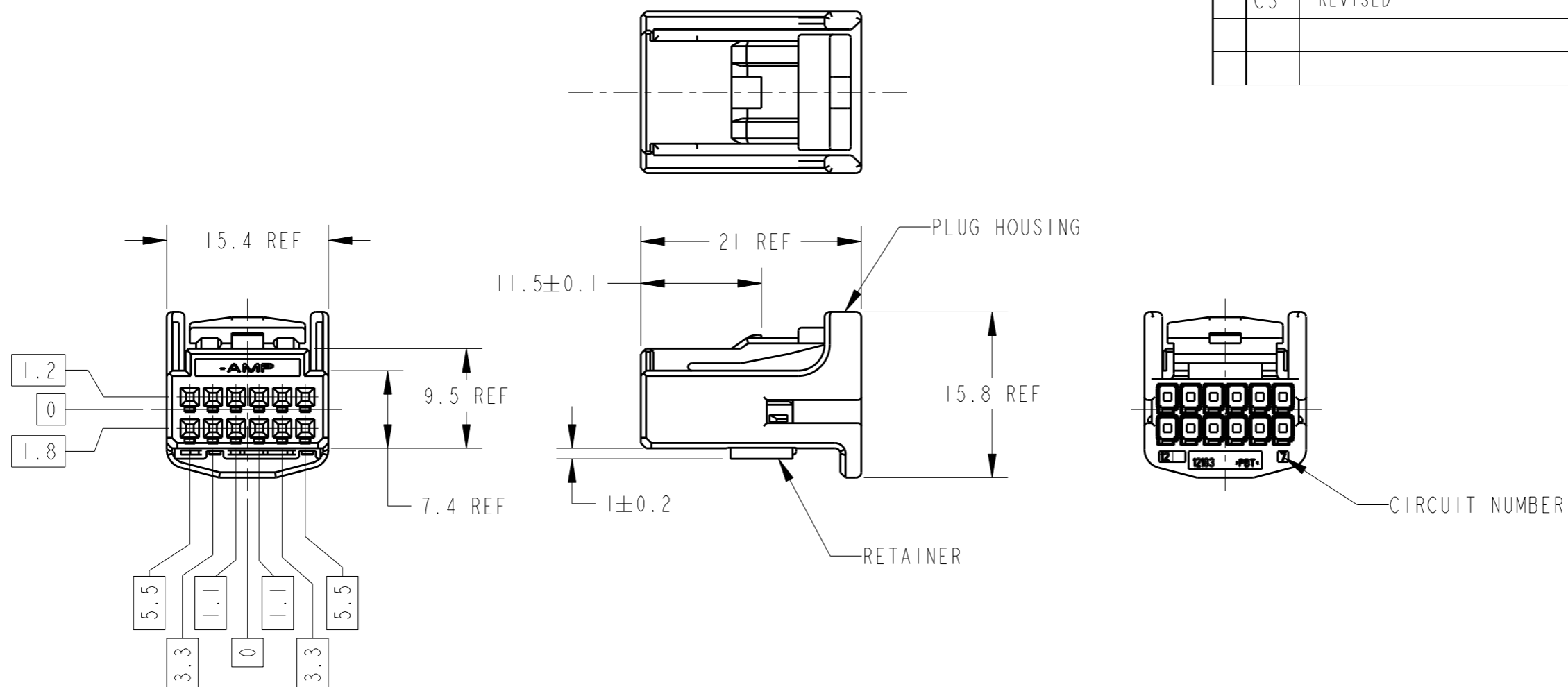


THIS DRAWING IS UNPUBLISHED. RELEASED FOR PUBLICATION
 © COPYRIGHT 2000 ALL RIGHTS RESERVED.

LOC	DIST	REVISIONS						
		P	LTR	DESCRIPTION	DATE	DWN	APVD	
J	X		C2	REVISED	ECR-12-019260	08NOV2012	TS	KB
			C3	REVISED	ECR-15-008319	02JUN2015	TS	KB



- RETAINER SHOULD BE SET TO THE PRE- ASSEMBLY POSITION WITHIN THE PLUG HOUSING WHEN SHIPPED TO THE CUSTOMER
 - THE RETENTION LATCH OF THE RETAINER MUST BE OUT SIDE OF PLUG HOUSING WHEN PRE-ASSEMBLY
 - RETAINER RETENTION FORCE FROM HOUSING : 20N MIN
 - INSTRUCTION SHEET NO : 411-5928
 - PART NUMBER OF CAP HOUSING TO BE MATED : SEE TABLE-1
 - APPLIED TERMINAL : SEE TABLE-2
- △ RETAINER IS THE SAME COLOR AS HOUSNG.

- プラグハウジングにリテーナーを仮止して出荷する
 - 仮係止時リテーナー突起がハウジングの外側に出ていること
 - リテーナーの仮係止保持力は 20N 以上
 - 取扱い説明書 NO : 411-5928
 - 嵌合相手型番は TABLE - 1参照
 - 適応端子は TABLE - 2参照
- △ リテーナーはハウジング本体と同色とする。

TABLE - 1

POS 極数	CAP ASSEMBLY PART NO キャップ 型番
12	1318772

TABLE - 2

SIGNAL		TERMINAL NO 端子型番	APPLICABLE WIRE RANGE (FEMALE) 適用電線
025	TIN	1123343-1	AVSS/CAVUS 0.3~0.5mm ² CAVS 0.22~0.5mm ² AVSSH-f 0.3~0.5mm ²

PACKING STYLE 梱包形態	COLOR 色	PRT NUMBER 製品型番
PAPER BOX ダンボール箱	BLACK △	1318774-2
PLASTIC BAG ビニール袋	NATURAL △	1318774-1
OUTER 外表	INNER 内装	

THIS DRAWING IS A CONTROLLED DOCUMENT.

DIMENSIONS: 単位: 概 mm	TOLERANCES UNLESS OTHERWISE SPECIFIED: 一般公差: ±0.3	DWN Y. NOGUCHI 07FEB00	TE Connectivity 025 SERIES 12 POSITION PLUG HOUSING ASSEMBLY
	0-PLC ± 1-PLC ± 2-PLC ± 3-PLC ± 4-PLC ± ANGLES ±3°00'	CHK S. SHINDOU 07FEB00	
		APVD N. SAI 07FEB00	
		PRODUCT SPEC 製品規格 108-5668	
MATERIAL 材料 PBT	FINISH 仕上 SEE TABLE	APPLICATION SPEC 取付適用規格 114-5250	NAME 名称
CUSTOMER DRAWING		WEIGHT 2.1 g	SIZE A3
		CAGE CODE 00779	DRAWING NO C-1318774
		RESTRICTED TO -	SCALE 尺度 2:1
		SHEET 1	OF 1
		REV C3	